

Select Vehicle | New TSBs | Technician's Reference

Component Search:

OK

Conversion Calculator

2003 Chrysler Truck PT Cruiser L4-2.4L VIN B

Vehicle Level → Heating and Air Conditioning → Housing Assembly HVAC → Service and Repair → HVAC Housing Removal and Installation ←

HVAC Housing Removal and Installation

[Notes](#)

HVAC HOUSING

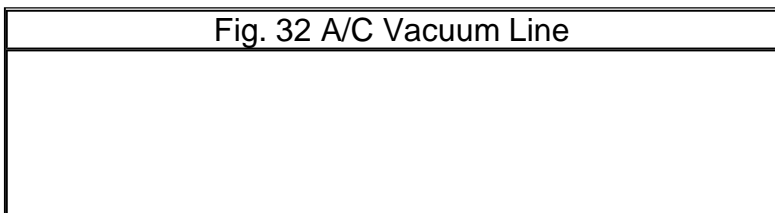
REMOVAL

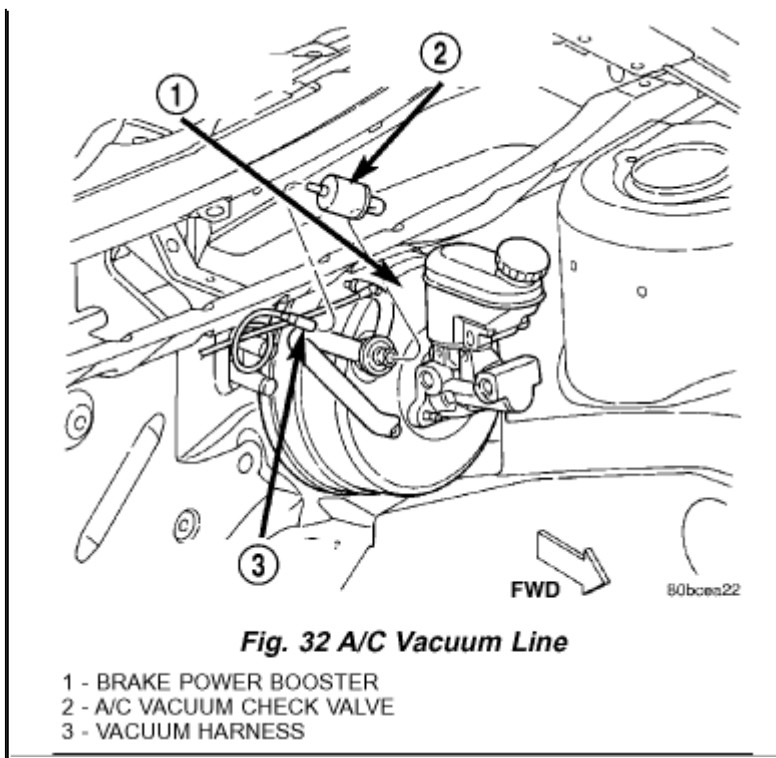
The instrument panel must be removed in order to remove the heater-A/C Housing. Refer to: "**Instrument Panel, Gauges and Warning Indicators : Instrument Panel : Service and Repair**" [See: Instrument Panel, Gauges and Warning Indicators\Instrument Cluster / Carrier\Service and Repair](#)

WARNING: THE R-134a [REFRIGERANT](#) SYSTEM MUST BE RECOVERED BEFORE SERVICING ANY PART OF THE REFRIGERANT SYSTEM.

1. Using a [refrigerant](#) recovery machine, remove the refrigerant from the A/C system, if equipped. Refer to: "[Heating and Air Conditioning : Service and Repair](#)" [See: Service and Repair](#)
2. Remove instrument panel from vehicle. Refer to: **Body and Frame, Interior Trim, Dashboard/Instrument Panel, Service and Repair, Instrument Panel Service Procedures, Instrument Panel Assembly Replacement**, [See: Body and Frame\Interior Moulding / Trim\Dashboard / Instrument Panel\Service and Repair\Instrument Panel Service Procedures\Instrument Panel Assembly Replacement](#)
3. Drain cooling system. Refer to: "**Engine, Cooling and Exhaust : Cooling System : Service and Repair**" [See: Engine, Cooling and Exhaust\Cooling System\Service and Repair](#)
4. Remove [heater hoses](#) at the dash panel. Place plugs in the [heater core](#) outlets to prevent coolant spillage during unit housing removal.
5. Unfasten coolant recovery container and set aside.
6. Remove suction line at [expansion valve](#). Cap open refrigerant lines to prevent moisture and/or dirt from entering.
7. Remove [expansion valve](#) from evaporator, and cap fittings.
8. Remove rubber drain tube extension from condensation drain tube.

Fig. 32 A/C Vacuum Line

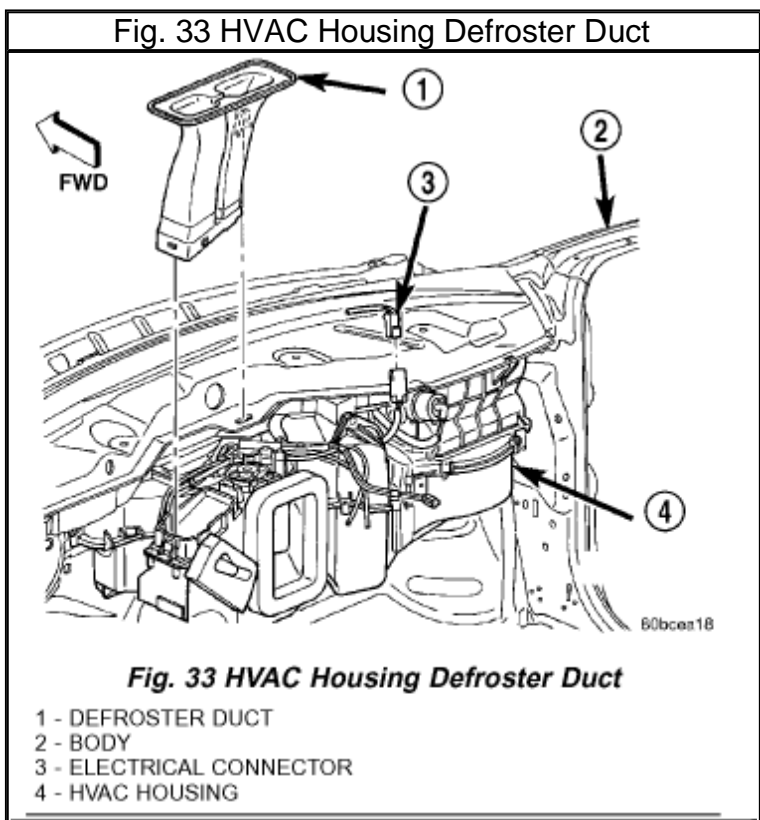




Zoom

Sized for Print

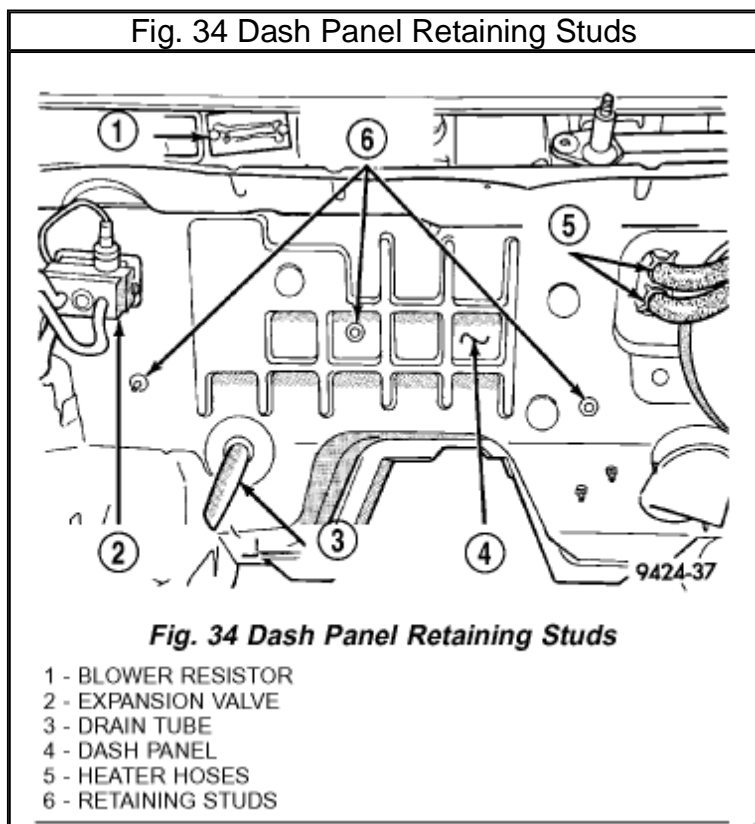
9. Disconnect the vacuum harness at the power brake booster.



Zoom

Sized for Print

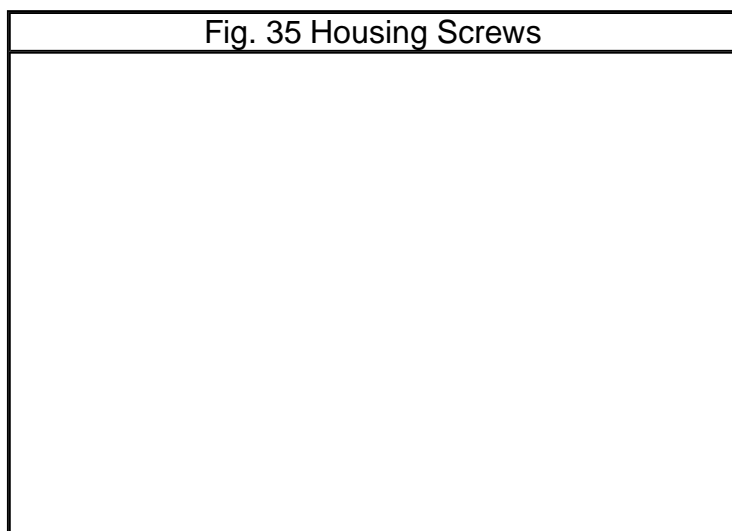
10. Unsnap and remove the defroster duct.

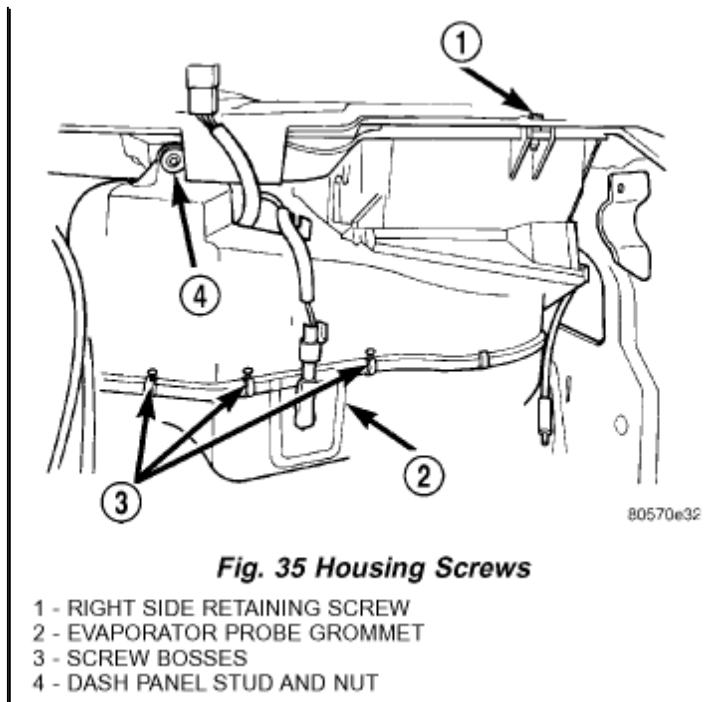


Zoom

Sized for Print

11. Remove three retaining nuts located in the engine compartment, on the dash panel.





Zoom

Sized for Print

12. Remove the right side retaining screw.
13. Remove remaining nut located on dash panel stud.
14. Disconnect the wiring connectors.
15. Remove assembly from the vehicle.

INSTALLATION

1. Position the housing in the vehicle.
2. Connect the wire harness connectors.
3. Install the nut on the dash panel stud.
4. Install the three retaining nuts on the engine compartment studs.
5. Snap the defrost duct in place.
6. Connect the vacuum harness at the brake booster.
7. Connect the rubber drain tube to the extension.
8. Install the [expansion valve](#) to the evaporator.
9. Remove the protective caps and connect the suction line to the [expansion valve](#).
10. Position and install the coolant recovery container.
11. Install the instrument panel. Refer to: **Body and Frame, Interior Trim, Dashboard/Instrument Panel, Service and Repair, Instrument Panel Service Procedures, Instrument Panel Assembly Replacement**, [See: Body and Frame\Interior Moulding / Trim\Dashboard / Instrument Panel\Service and Repair\Instrument Panel Service Procedures\Instrument Panel Assembly Replacement](#)
12. Refill the cooling system. Refer to: **"Engine, Cooling and Exhaust : Cooling System : Service and Repair"** [See: Engine, Cooling and Exhaust\Cooling System\Service and Repair](#)

13. Evacuate the [refrigerant](#) system. Refer to: "[Heating and Air Conditioning : Service and Repair](#)" [See: Service and Repair](#)
14. Recharge the [refrigerant](#) system.

© 2010 ALLDATA LLC. All rights reserved.
[Terms of Use](#)