

Select Vehicle | New TSBs | Technician's Reference

Component Search:

OK

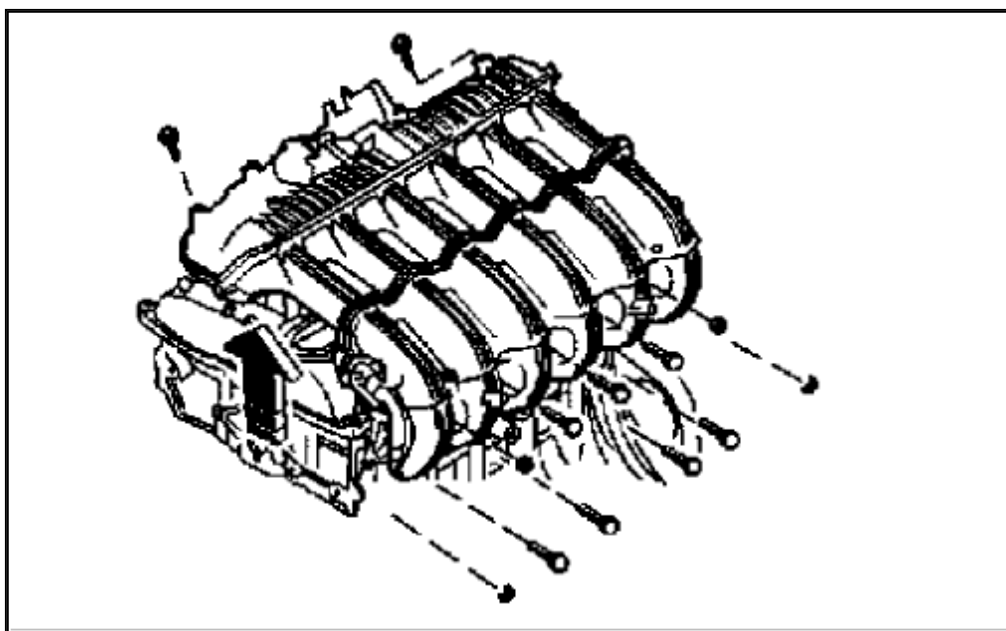
Conversion Calculator

2005 Suzuki Verona L6-2.5L

[Vehicle Level](#) → [Engine, Cooling and Exhaust](#) → [Engine](#) → [Cylinder Head Assembly](#) → [Service and Repair](#)
→ [Cylinder Head Cover Removal and Installation](#) ←

Cylinder Head Cover Removal and Installation[Notes](#)**Cylinder Head Cover Removal**

1. Remove the fuel pump fuse.
2. Start the engine and repeat cranking until the remaining fuel in the fuel line is all consumed.
3. Disconnect the negative battery cable.
4. Drain the engine coolant.

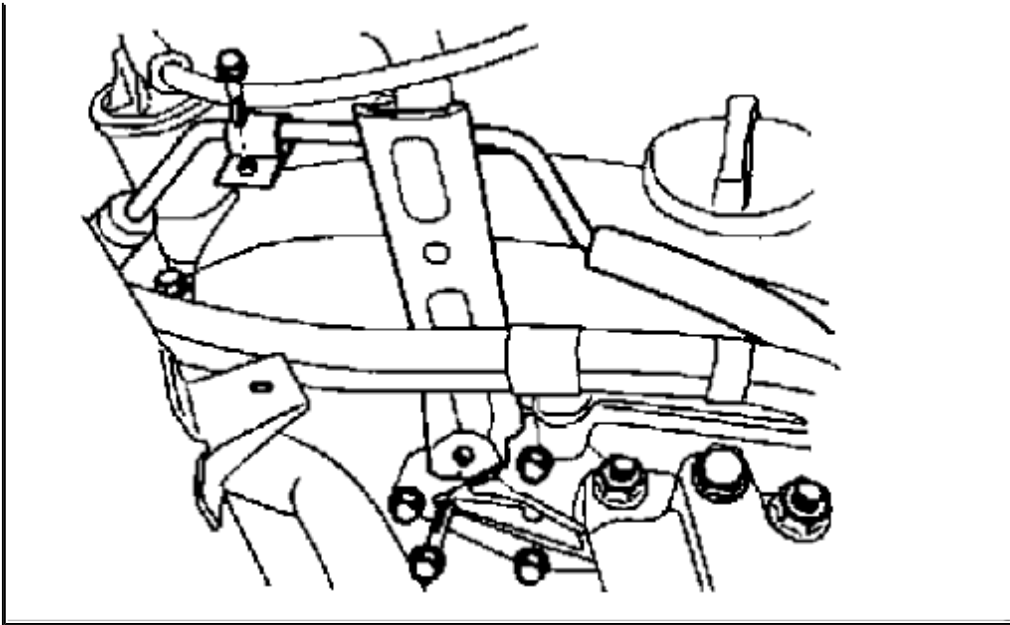


Zoom

Sized for Print

5. Remove the [intake manifold](#).
6. Remove the [coolant reservoir](#).

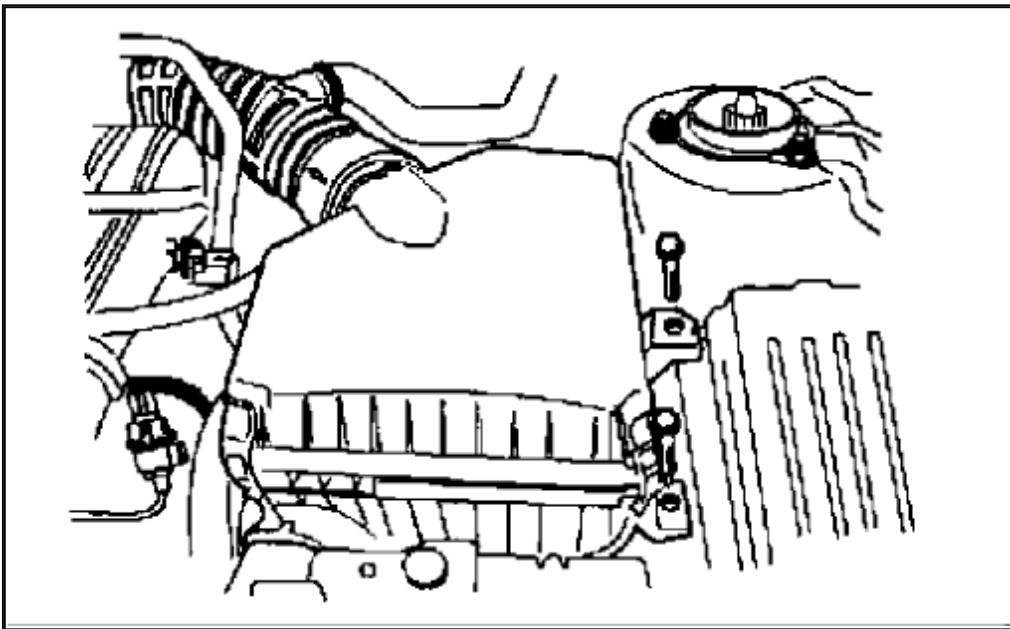




Zoom

Sized for Print

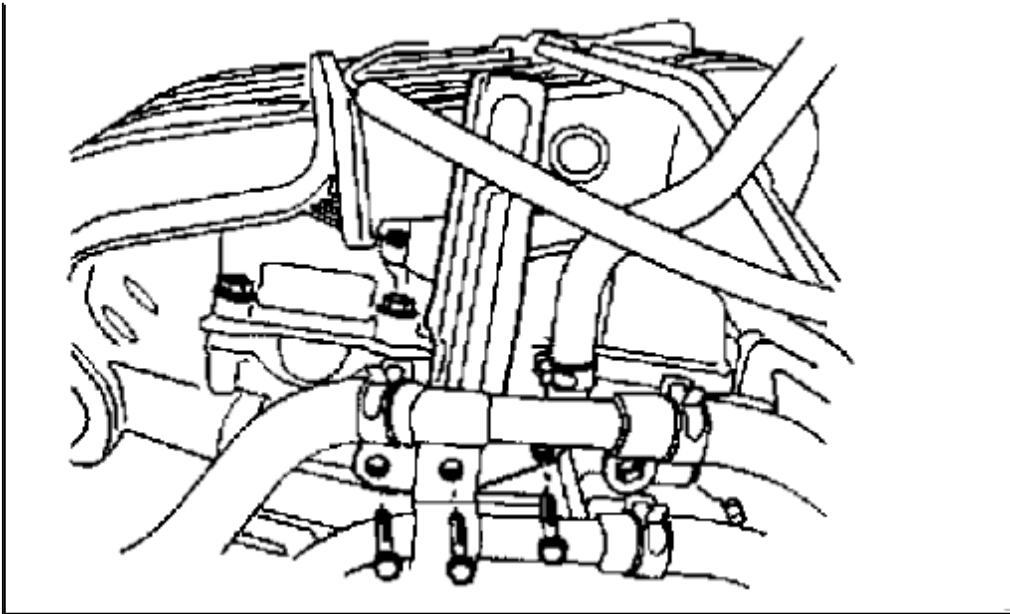
7. Remove the front support bracket retaining bolt and the front support bracket.



Zoom

Sized for Print

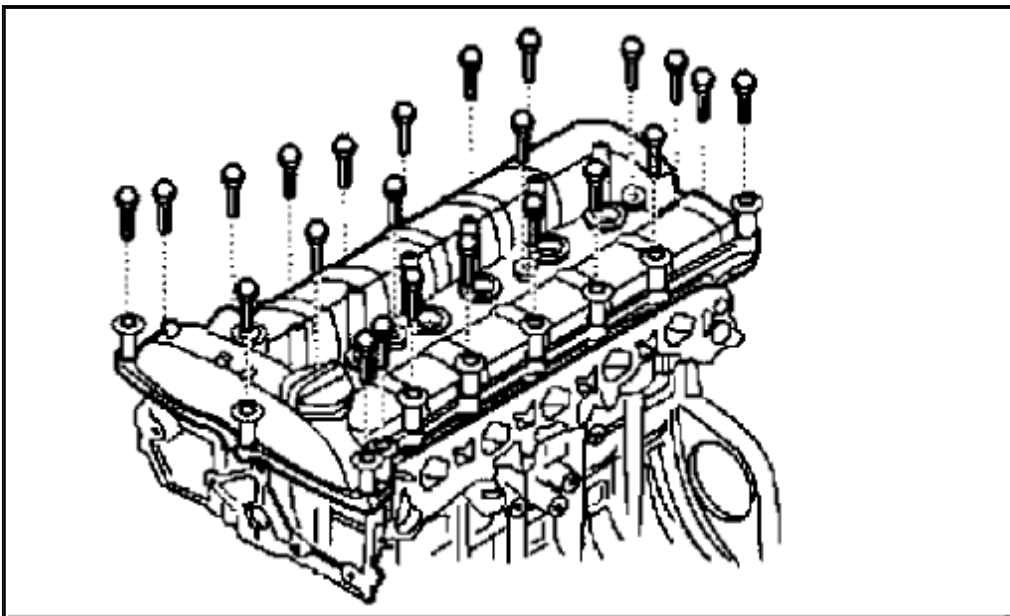
8. Remove the air filter housing.
9. Remove the rear support bracket retaining bolts and the rear support bracket.



Zoom

Sized for Print

10. Remove the ignition coils.
11. Remove the cylinder head cover bolts and the cylinder head cover.



Zoom

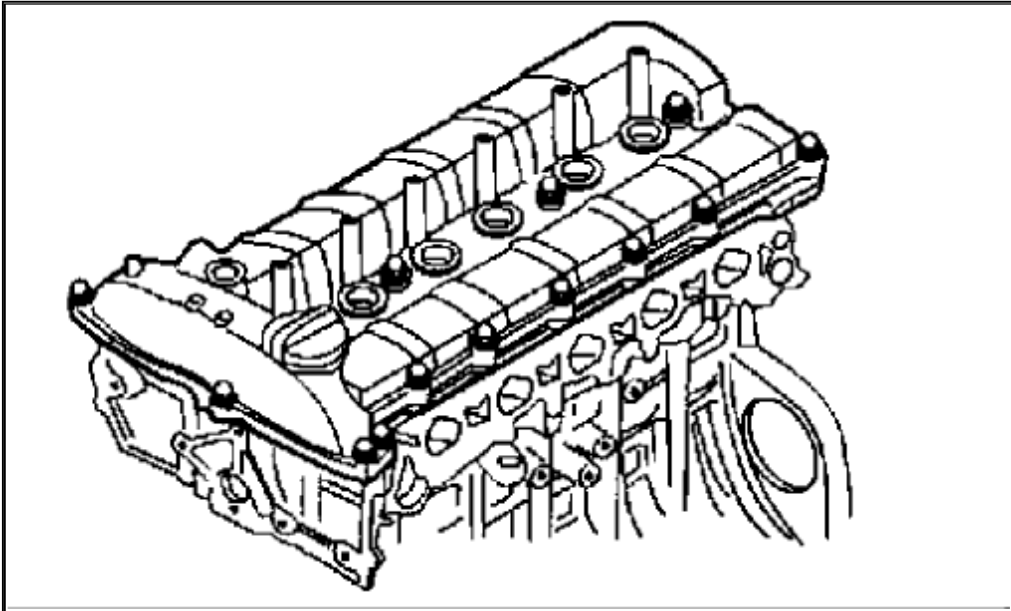
Sized for Print

12. Remove the cylinder head cover gasket.

Cylinder Head Cover Installation

1. Installation should follow the removal procedure in the reverse order.

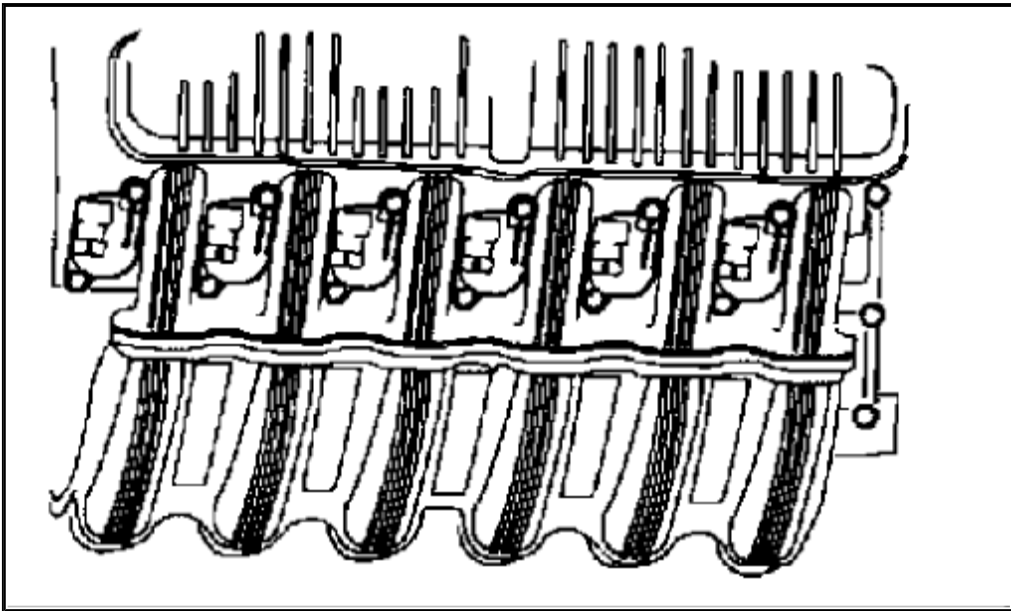
2. Discard used [cylinder head gasket](#) and install new one.



Zoom

Sized for Print

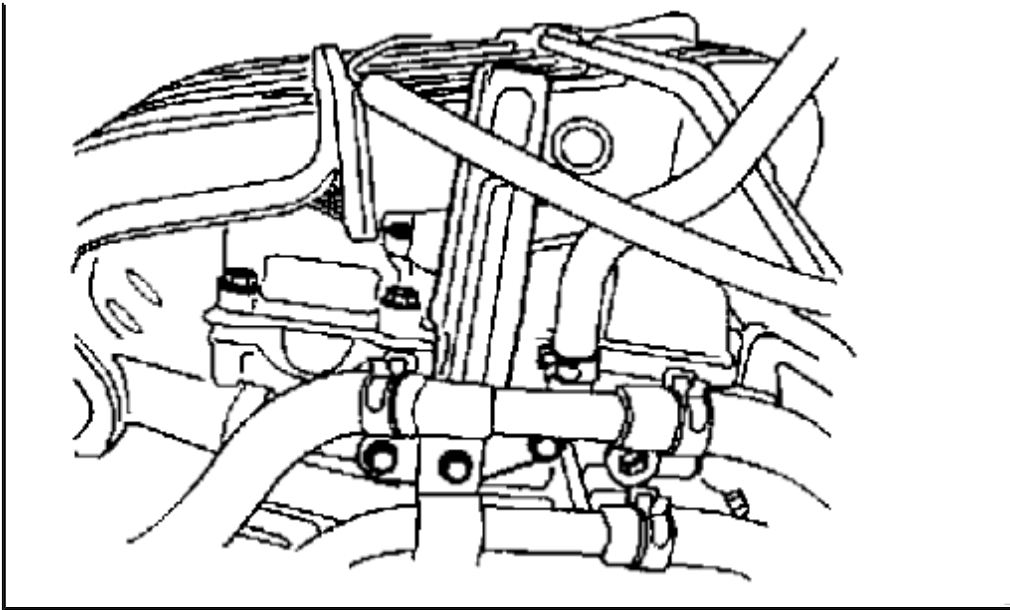
3. Tighten the cylinder head cover bolts. Tighten the cylinder head cover bolts to **12 - 14 Nm (106 - 124 inch lbs.)**.



Zoom

Sized for Print

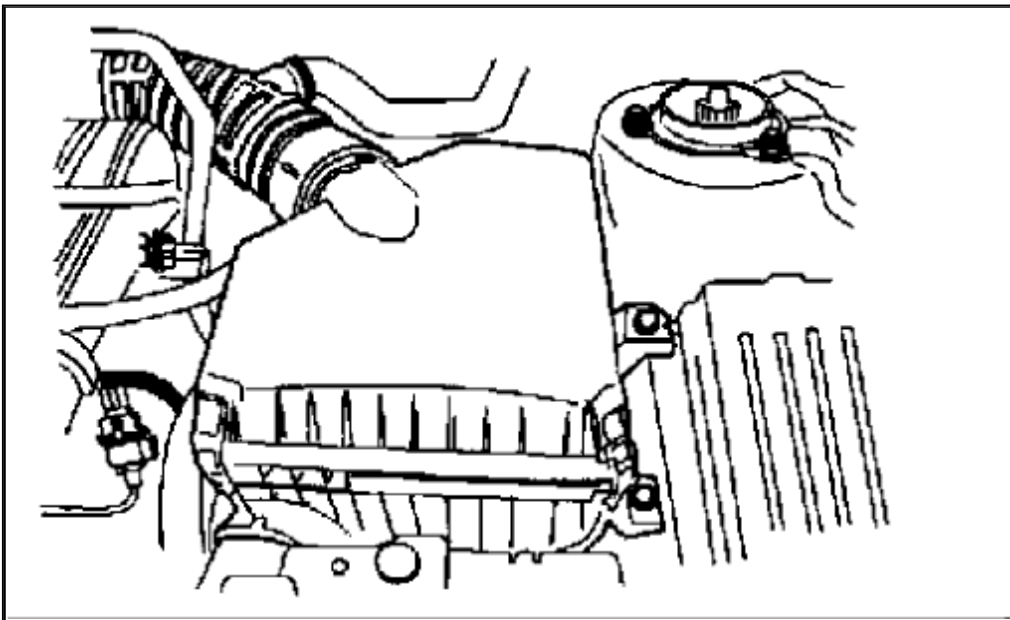
4. Install the ignition coils. Tighten the ignition coil retaining bolts to **6 - 8 Nm (53 - 71 inch lbs.)**.



Zoom

Sized for Print

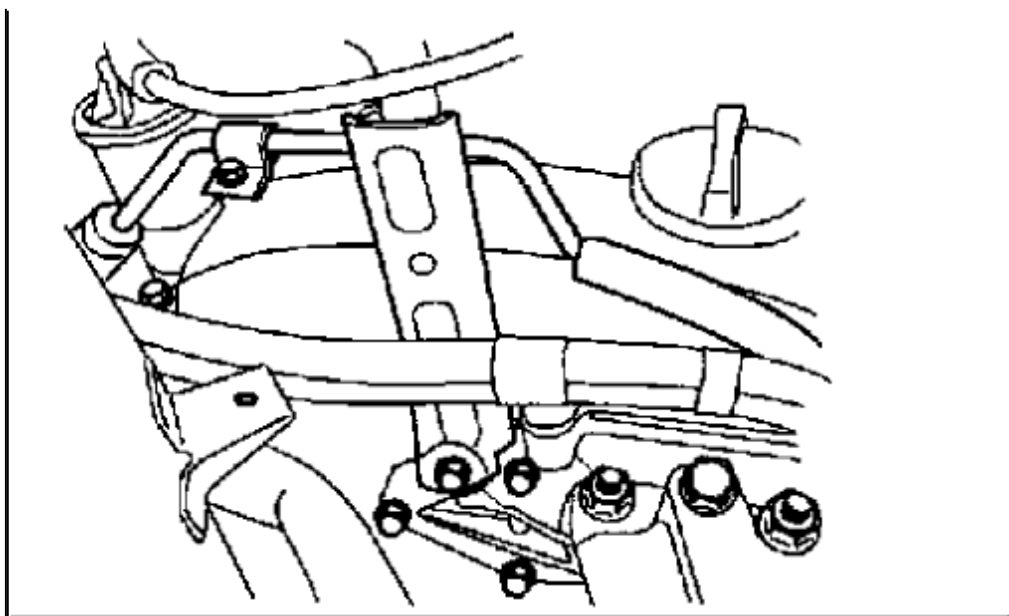
5. Install the rear support bracket. Tighten the rear support bracket retaining bolt (Intake-side) to **8 - 12 Nm (71 - 106 inch lbs.)**. Tighten the rear support bracket retaining bolt (Exhaust-side) to **18 - 25 Nm (13 - 18 ft. lbs.)**.



Zoom

Sized for Print

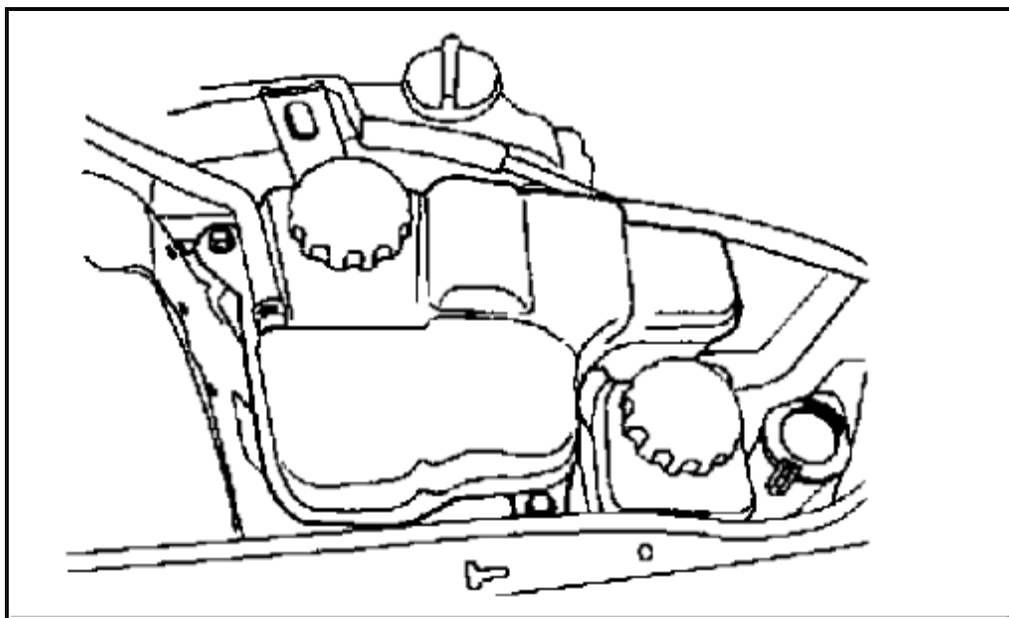
6. Install the air filter housing. Tighten the air filter housing bolt to **8 - 12 Nm (71 - 106 inch lbs.)**.



Zoom

Sized for Print

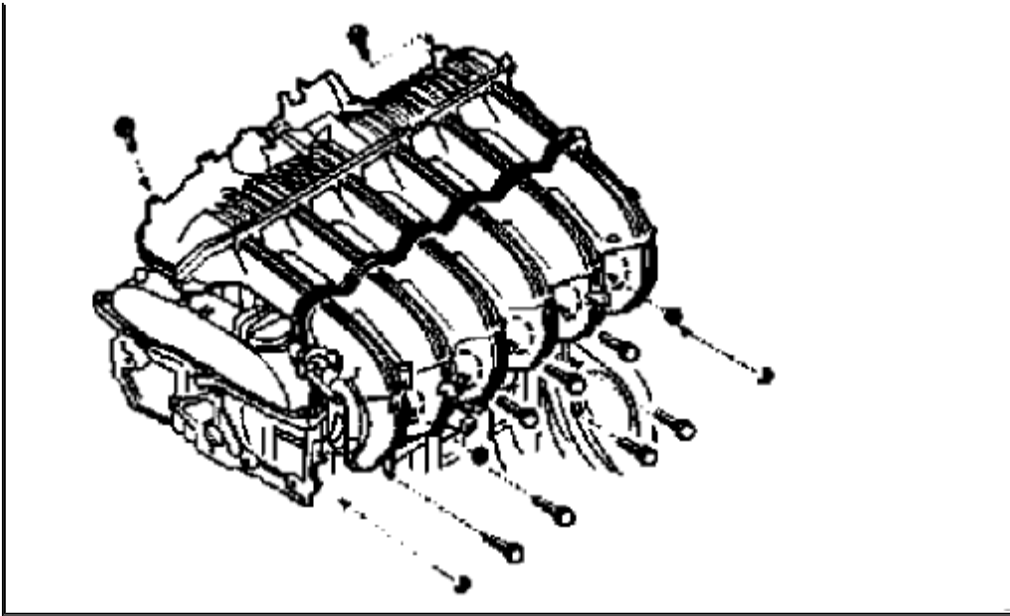
7. Install the front support bracket. Tighten the front support bracket retaining bolt to **15 - 25 Nm (11 - 18 ft. lbs.)**.



Zoom

Sized for Print

8. Install the [coolant reservoir](#). Tighten the [coolant reservoir](#) retaining bolts to **35 - 45 Nm (26 - 33 ft. lbs.)**.
9. Discard used [intake manifold gaskets](#) and install new ones.

[Zoom](#)[Sized for Print](#)

10. Tighten the [intake manifold](#) retaining nuts and bolts. Tighten the seven (7) [intake manifold](#) retaining bolts to **10 - 14 Nm (89 - 124 inch lbs.)**. Tighten the four (4) [intake manifold](#) retaining nuts to **10 - 14 Nm (89 - 124 inch lbs.)**. Tighten the two (2) bolts on the [intake manifold](#) support bracket to **10 - 14 Nm (89 - 124 inch lbs.)**.

© 2009 ALLDATA LLC. All rights reserved.

[Terms of Use](#)