

DOOR PANEL REMOVAL/INSTALLATION

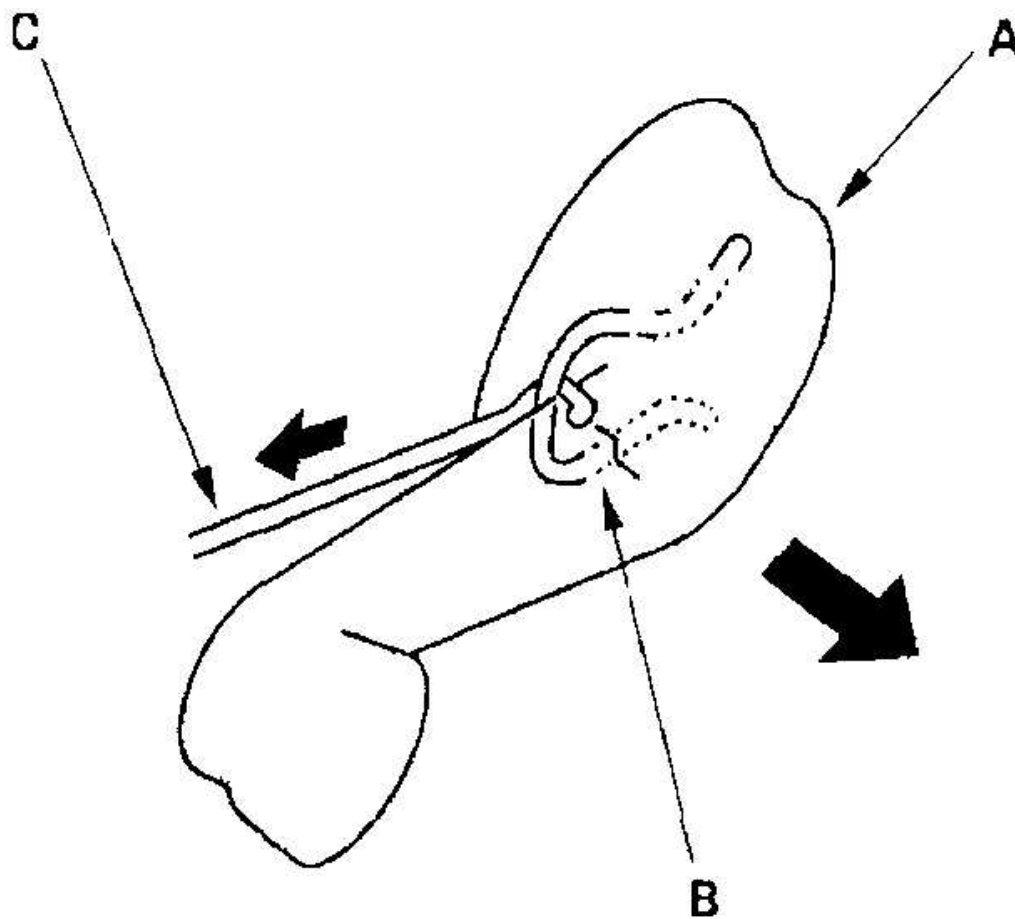
Special Tools Required

- KTC trim tool set SOJATP2014
- Trim pad remover, Snap-on A177A, or equivalent, commercially available.

2-DOOR

NOTE: Use the appropriate tool from the KTC trim tool set to avoid damage when prying components.

1. If applicable, remove the regulator handle (A) by pulling the clip (B) out with a wire hook (C).



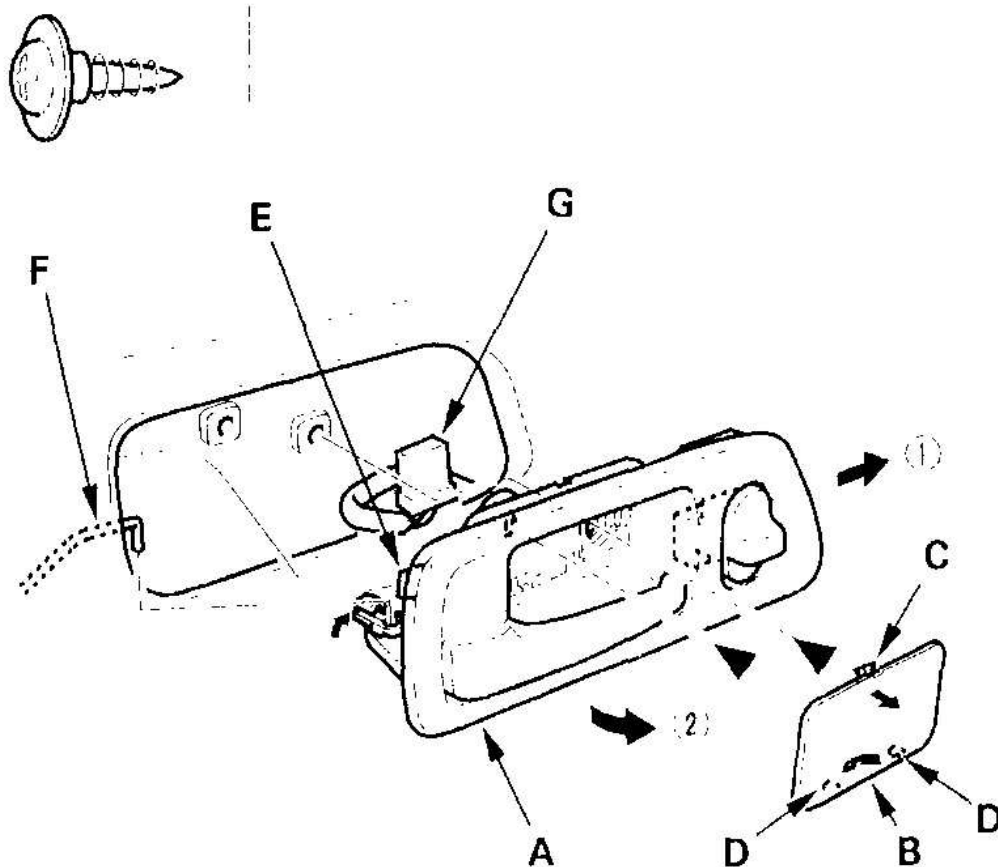
G01398509

Fig. 7: Removing Regulator Handle

Courtesy of AMERICAN HONDA MOTOR CO., INC.

2. Remove the inner handle (A). Take care not to scratch the door panel.
 - 1 Pry out on the upper portion of the cover (B) to release the hooks (C, D), then remove the cover.
 - 2 Remove the screws.
 - 3 Pull the inner handle forward and out half-way to release the hook (E).
 - 4 Disconnect the inner handle rod (F) and power door lock switch connector (G) (driver's side for some models).

▶ : Screw, 2



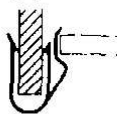
G01398510

Fig. 8: Removing Inner Handle

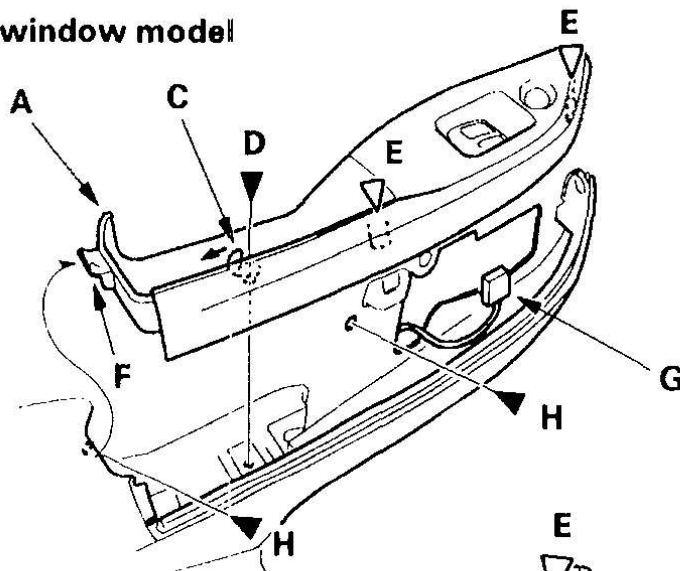
Courtesy of AMERICAN HONDA MOTOR CO., INC.

3. Remove the switch panel (A) (power window model) or the pull pocket (B) (manual window model).
 - 1 Using a trim tool, pry the cap (C), then remove the screw (D).
 - 2 Pry out the panel or pocket to release the clips (E).
 - 3 Release the clip (F) by pulling the cover or pocket forward.
 - 4 Power window model: Disconnect the power window switch connector (G).

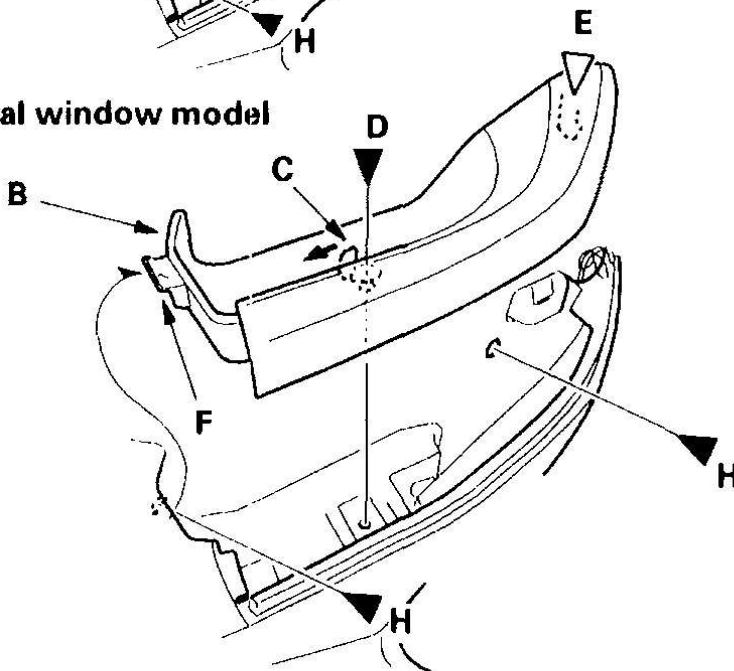
D ▶ : Screw, 1 E ▶ : Clip, 2 or 1 H ▶ : Screw, 2



Power window model



Manual window model



G01398511

**Fig. 9: Removing Switch Panel (Power Window) Or Pull Pocket (Manual Window)
Courtesy of AMERICAN HONDA MOTOR CO., INC.**

4. Remove the screws (H) securing the door panel.

5. Remove the mirror mount cover (see step 2 on **2-DOOR**).
6. Release the clips that hold the door panel (A) with a commercially available trim pad remover (B), then remove the door panel by pulling it upward. Remove the door panel with as little bending as possible to avoid creasing or breaking it.

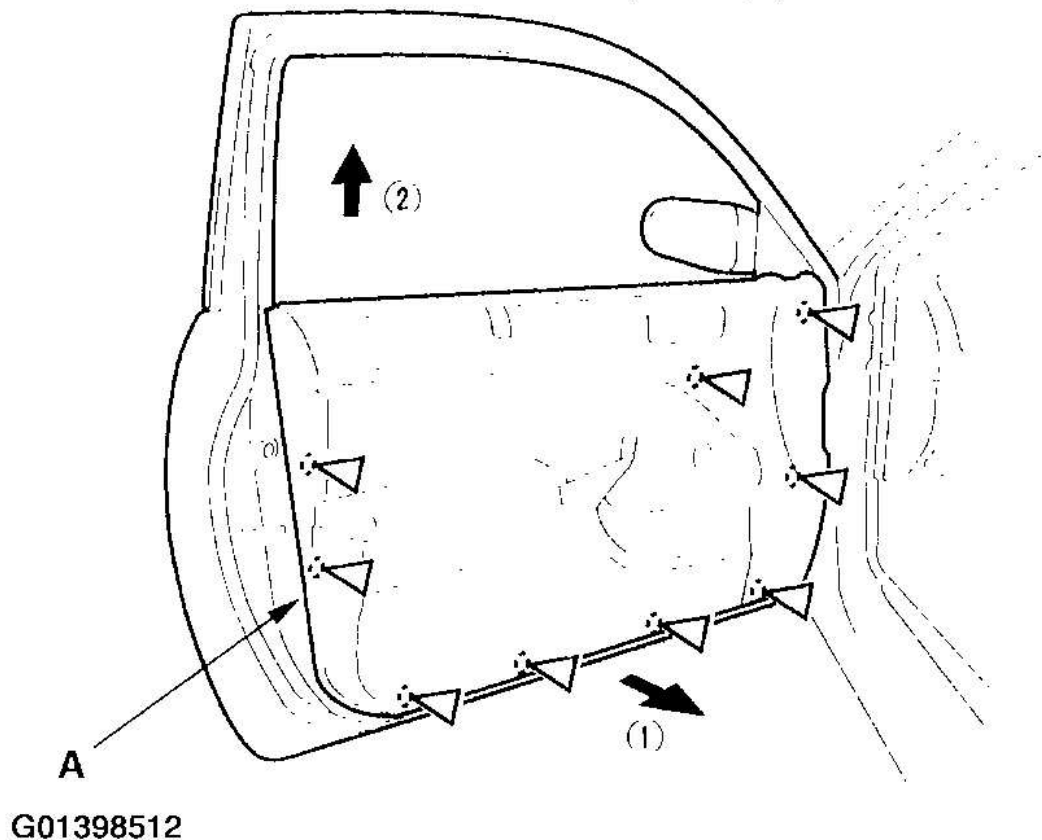
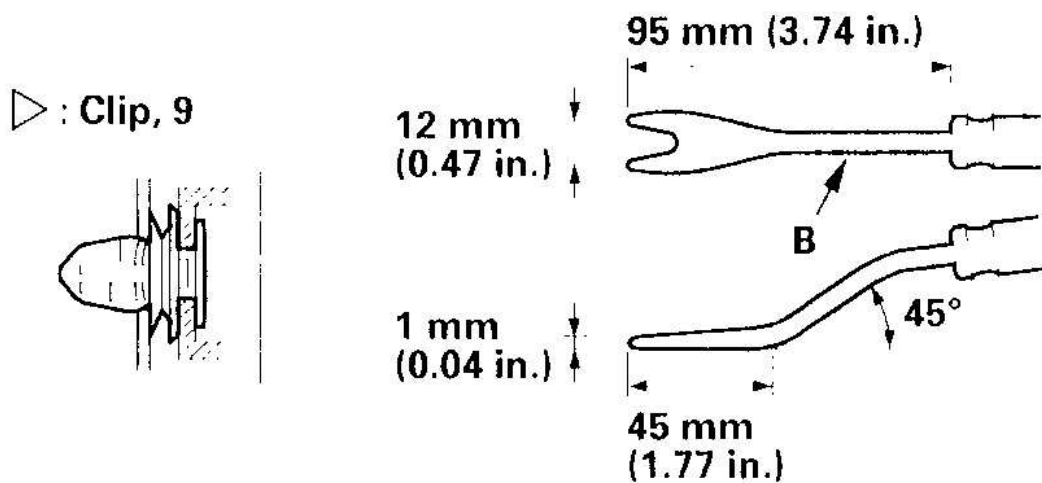
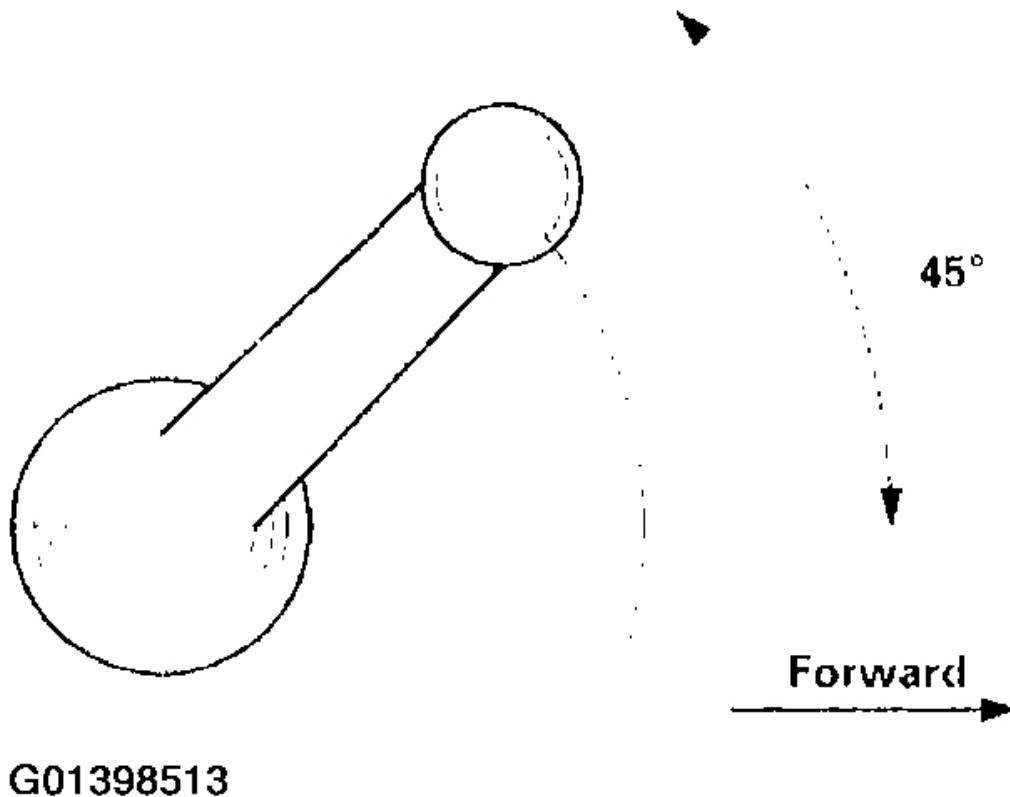


Fig. 10: Releasing Clips Holding Door Panel

Courtesy of AMERICAN HONDA MOTOR CO., INC.

7. Install the door panel in the reverse order of removal, and note these items:
 - Replace any damaged clips.
 - Make sure the connectors are plugged in properly, and the rod is connected properly.
 - Make sure the window and power door locks operate properly.
 - If applicable, install the regulator handle so it points forward and up at a 45° angle with the glass fully closed.

**Fig. 11: Installing Door Panel**

Courtesy of AMERICAN HONDA MOTOR CO., INC.

FRONT DOOR PANEL REMOVAL/INSTALLATION**Special Tools Required**

many waters gallery

Wednesday, April 08, 2009 5:19:51 PM

Page 6

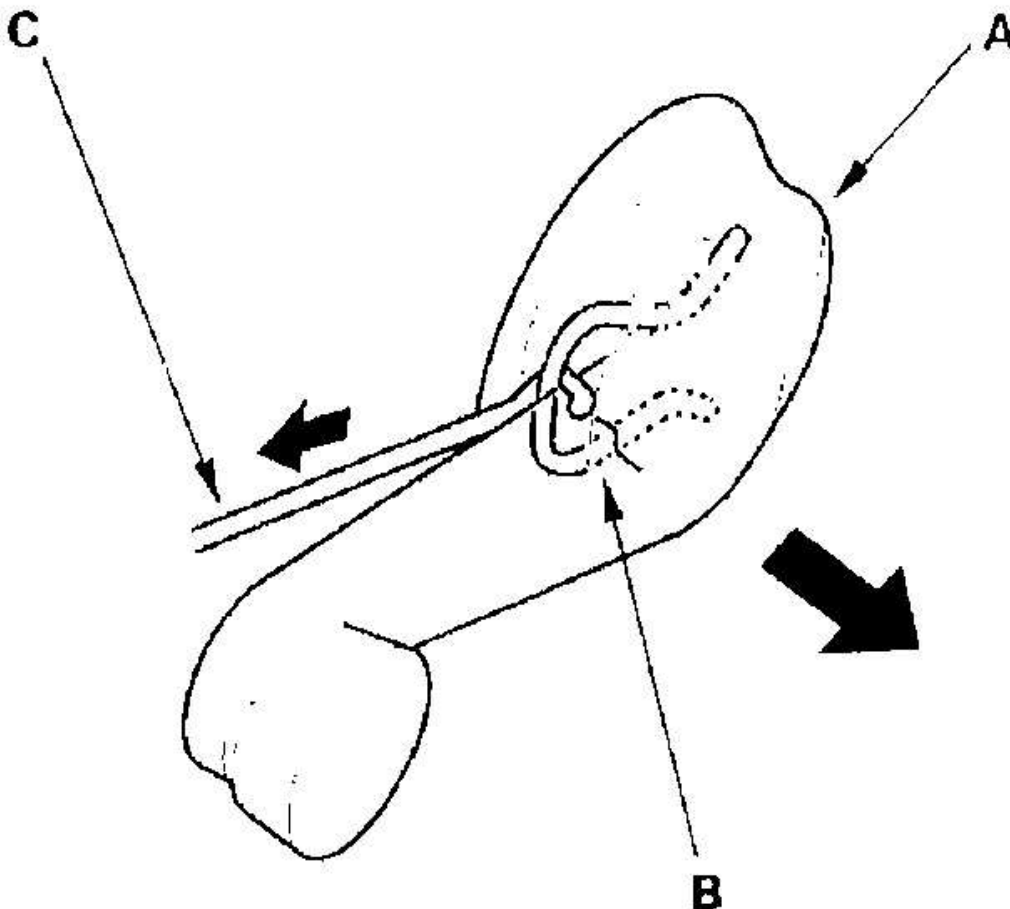
© 2005 Mitchell Repair Information Company, LLC.

- KTC trim tool set SOJATP2014
- Trim pad remover, Snap-on A177A, or equivalent, commercially available.

4-DOOR

NOTE: Use the appropriate tool from the KTC trim tool set to avoid damage when prying components.

1. If applicable, remove the regulator handle (A) by pulling the clip (B) out with a wire hook (C).

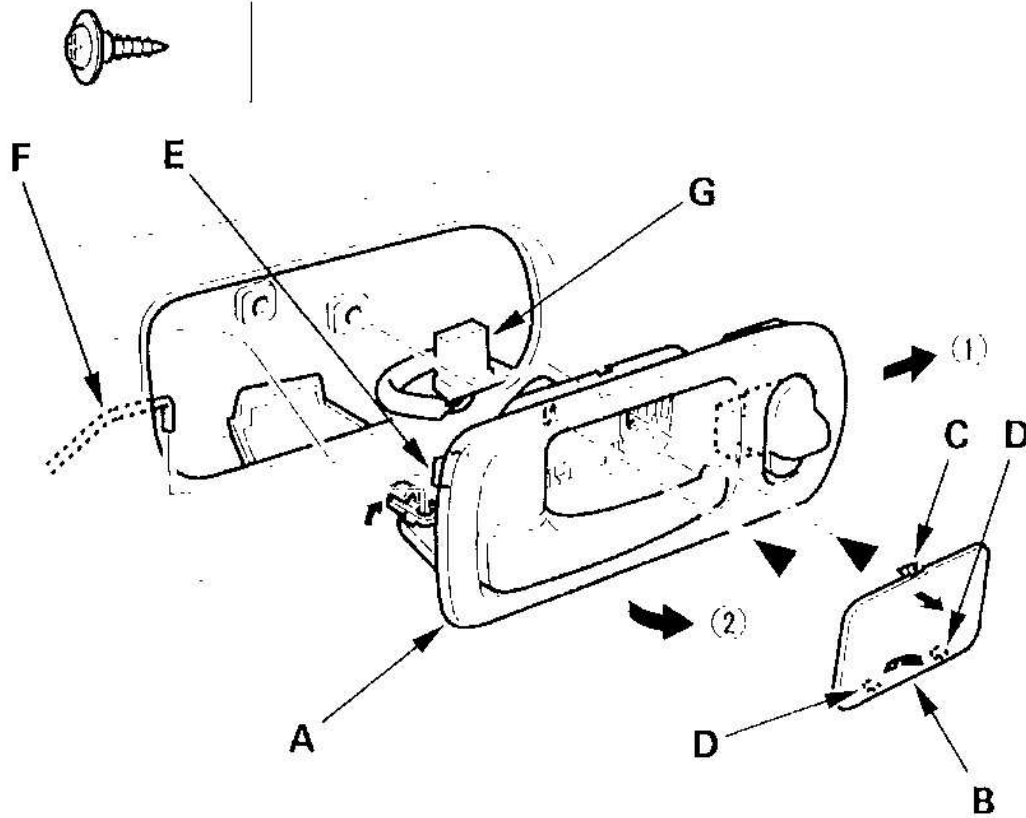


G01398514

Fig. 12: Removing Regulator Handle
Courtesy of AMERICAN HONDA MOTOR CO., INC.

2. Remove the inner handle (A). Take care not to scratch the door panel.
 - 1 Pry out on the upper portion of the cover (B) to release the hooks (C, D), then remove the cover.
 - 2 Remove the screws.
 - 3 Pull the inner handle forward and out half-way to release the hook (E).
 - 4 Disconnect the inner handle rod (F) and power door lock switch connector (G).

▶ : Screw, 2



G01398515

Fig. 13: Removing Inner Handle

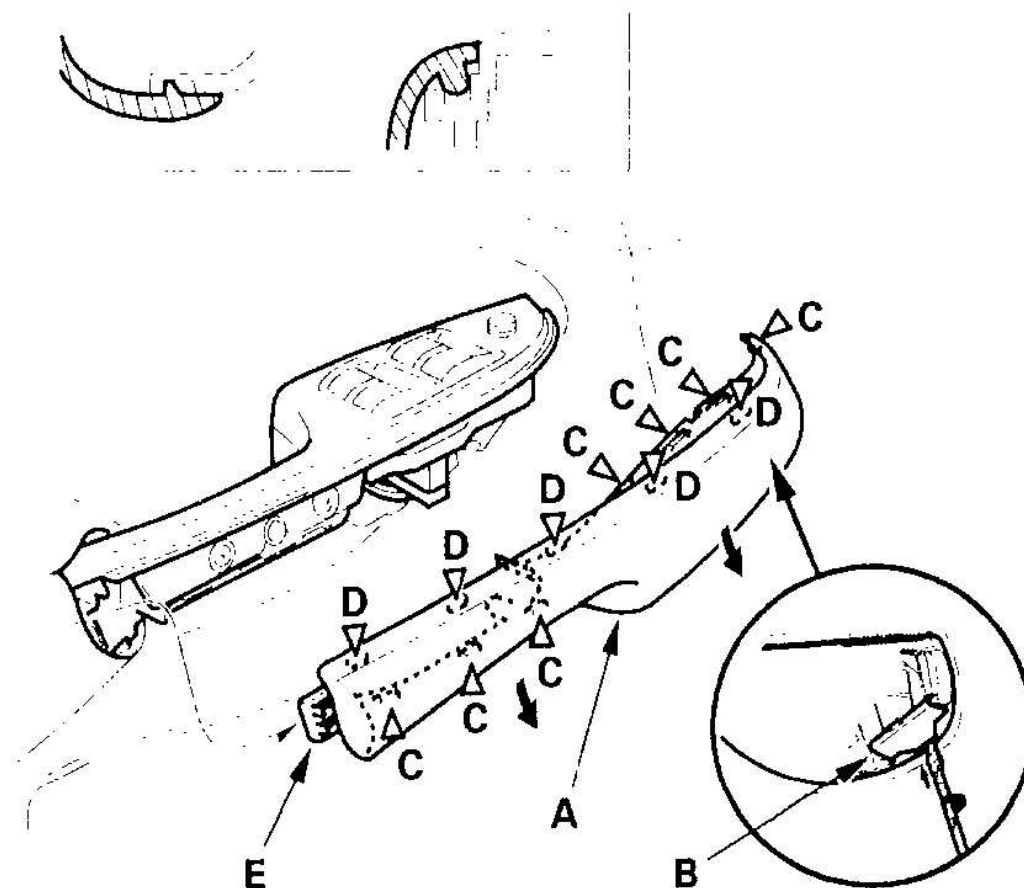
Courtesy of AMERICAN HONDA MOTOR CO., INC.

3. Remove the grip cover (A). To remove the passenger's grip cover, refer to rear door panel removal/installation (see **Rear Door Panel Removal/Installation**).
 - 1 Using a trim tool, pry out the front edge of the cover to release the clips (B).
 - 2 Pry out along the bottom to release the lower hooks (C).
 - 3 Pry out along the top to release the upper hooks (D), and release the clip (E) by pulling the cover

forward.

C ▷ : Hook, 7

D ▷ : Hook, 5



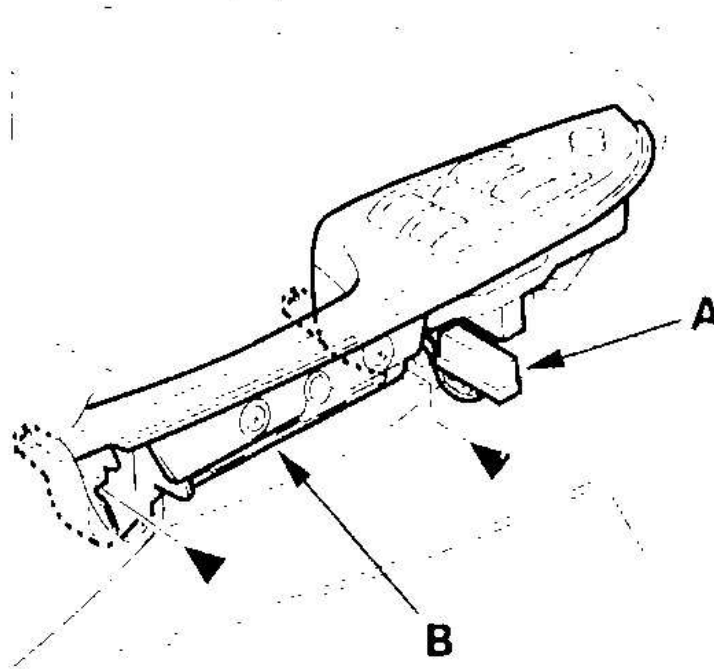
G01398516

Fig. 14: Removing Grip Covers

Courtesy of AMERICAN HONDA MOTOR CO., INC.

4. Driver's door: Disconnect the power window switch connector (A) (for some models). Remove the screws from the grip base (B).

▶ : Screw, 2

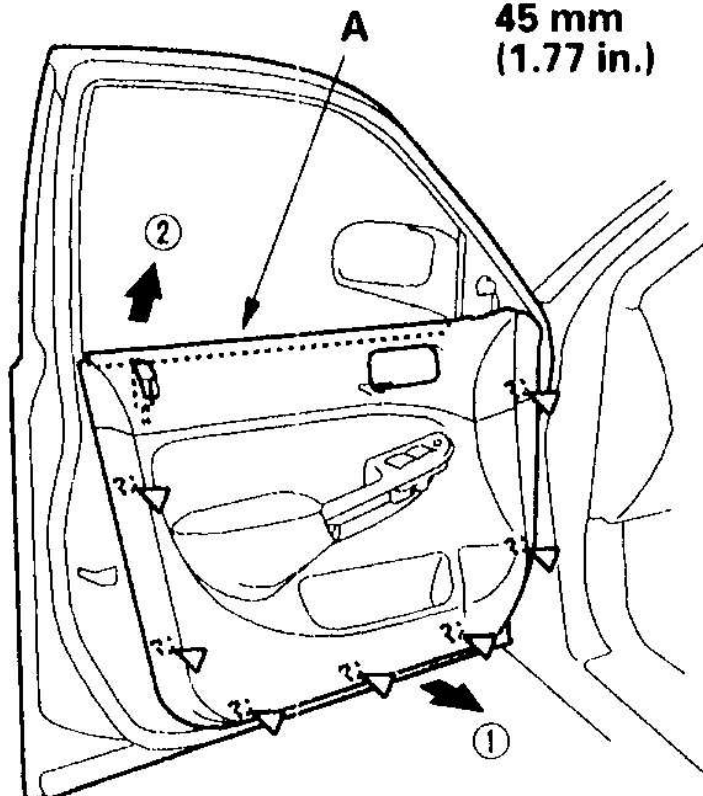
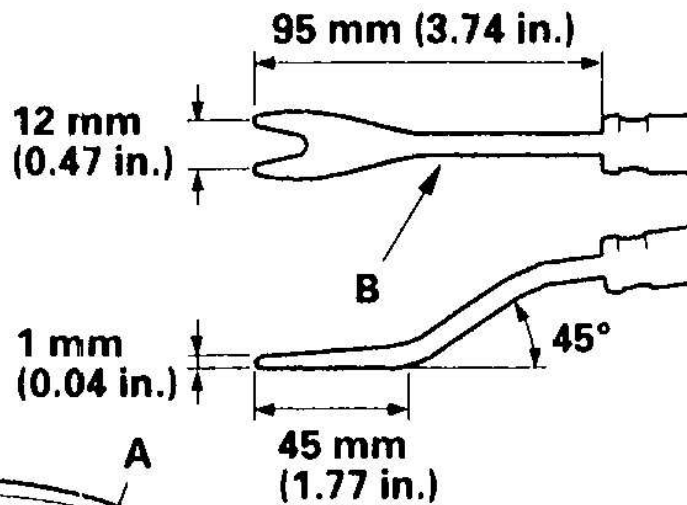
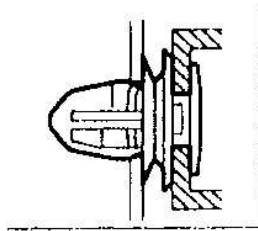


G01398517

Fig. 15: Disconnecting Power Window Switch Connector (Some Models)
Courtesy of AMERICAN HONDA MOTOR CO., INC.

5. Remove the mirror mount cover (see step 2 on **4-DOOR**).
6. Release the clips that hold the door panel (A) with a commercially available trim pad remover (B), then remove the door panel by pulling it upward. Passenger's door: Disconnect the power window switch connector (for some models). Remove the door panel with as little bending as possible to avoid creasing or breaking it.

▷ : Clip, 7



G01398518

Fig. 16: Releasing Clips Holding Door Panel
 Courtesy of AMERICAN HONDA MOTOR CO., INC.

7. Install the door panel in the reverse order of removal, and note these items:
 - Replace any damaged clips.

- Make sure the connectors are plugged in properly, and the rod is connected properly.
- Make sure the window and power door locks operate properly.
- If applicable, install the regulator handle so it points forward and up at a 45° angle with the glass fully closed.

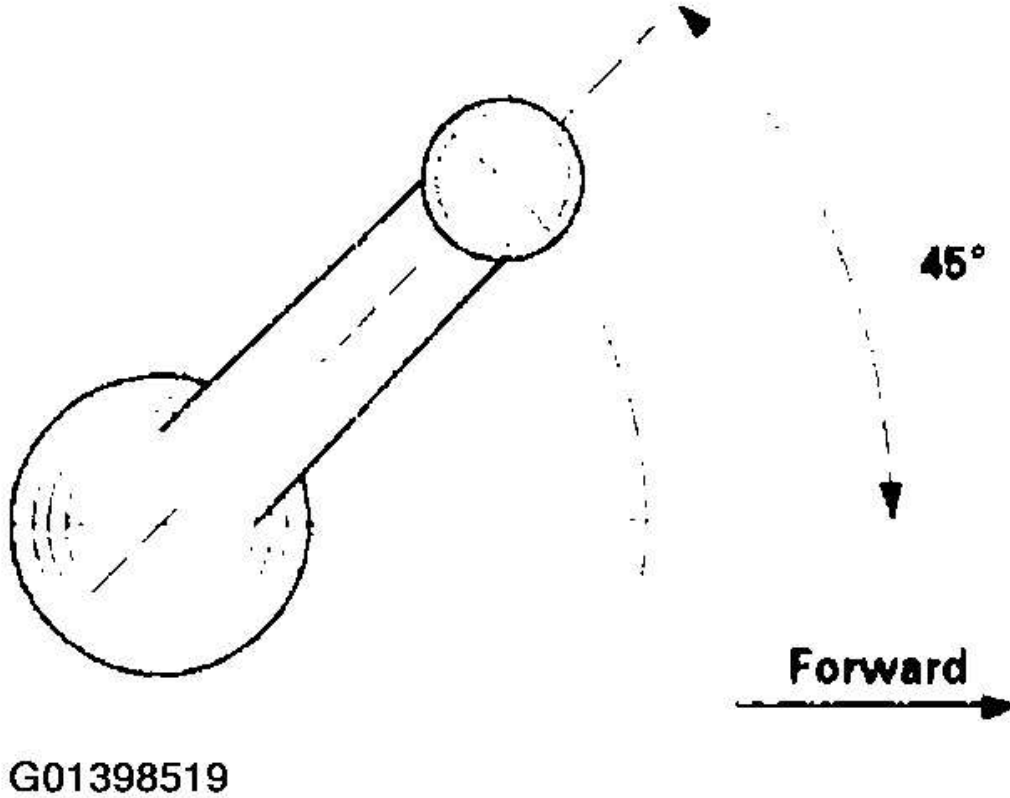


Fig. 17: Installing Door Panel
Courtesy of AMERICAN HONDA MOTOR CO., INC.