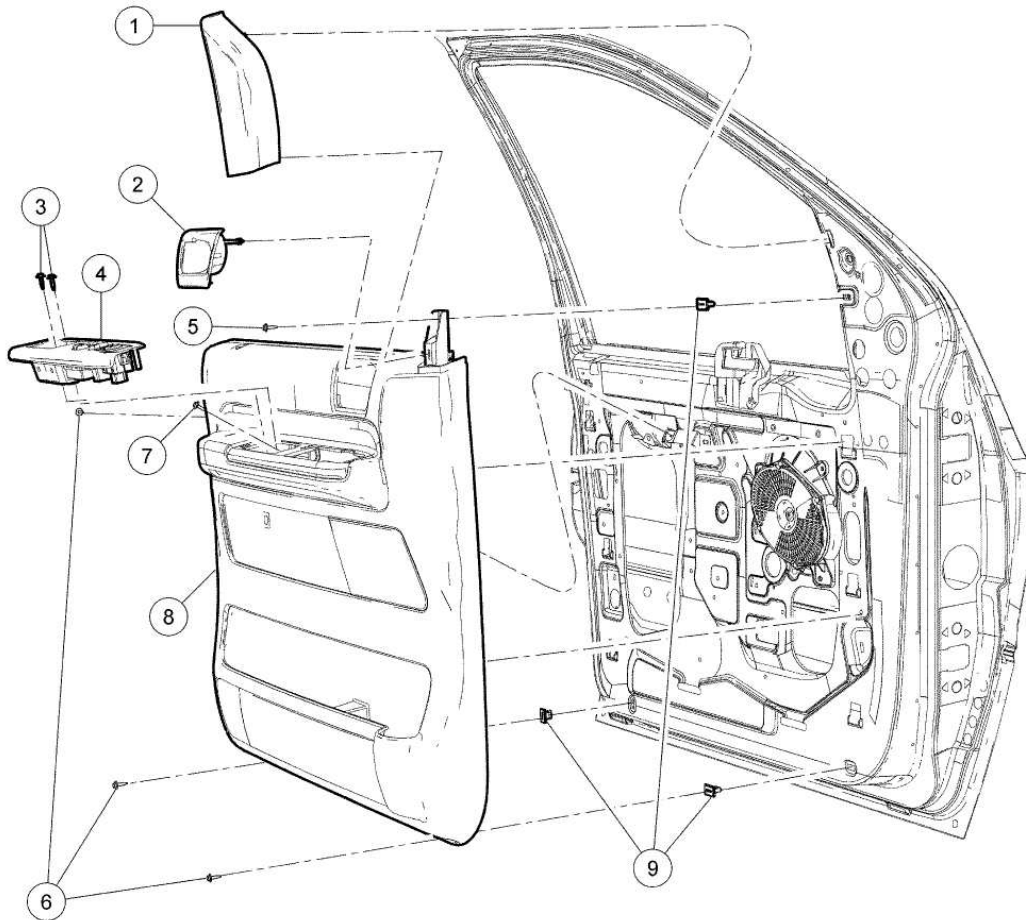


FRONT DOOR TRIM PANEL

NOTE: Driver side shown in illustration, passenger side similar.



A0100416

Item	Part Number	Description
1	23942/23943	Mirror access panel
2	1722897	Cup assembly
3	W56904-S424	Window regulator control switch panel screws
4	14A665	Window regulator control switch panel

Item	Part Number	Description
5	56912-S424	Front door trim panel screw
6	N807122-S424	Front door trim panel screws
7	56912-S424	Front door trim panel screw
8	1723943	Front door trim panel
9	W705590-S300	Nut inserts

Fig. 6: Identifying Front Door Trim Panel Components
 Courtesy of FORD MOTOR CO.

Removal and Installation

2005 Ford Freestar

2005 ACCESSORIES & BODY, CAB Interior Trim and Ornamentation - Freestar & Monterey

1. Remove the mirror access panel.
2. Remove the door trim panel screw located behind the mirror access panel.
3. Remove the 2 door trim panel screws located in the door pull.
4. Remove the window regulator control switch panel.
 - Disconnect the electrical connectors.
5. Remove the door trim panel screw located beneath the window regulator control switch panel.
6. Remove the door trim panel screw located behind the mirror access panel.
7. Remove the door trim panel screw located at the rear-most of the front door trim panel.
8. Remove the 2 hex-head screws located at the bottom of the front door trim panel.
9. Carefully raise and remove the front door trim panel.
10. To install, reverse the removal procedure.