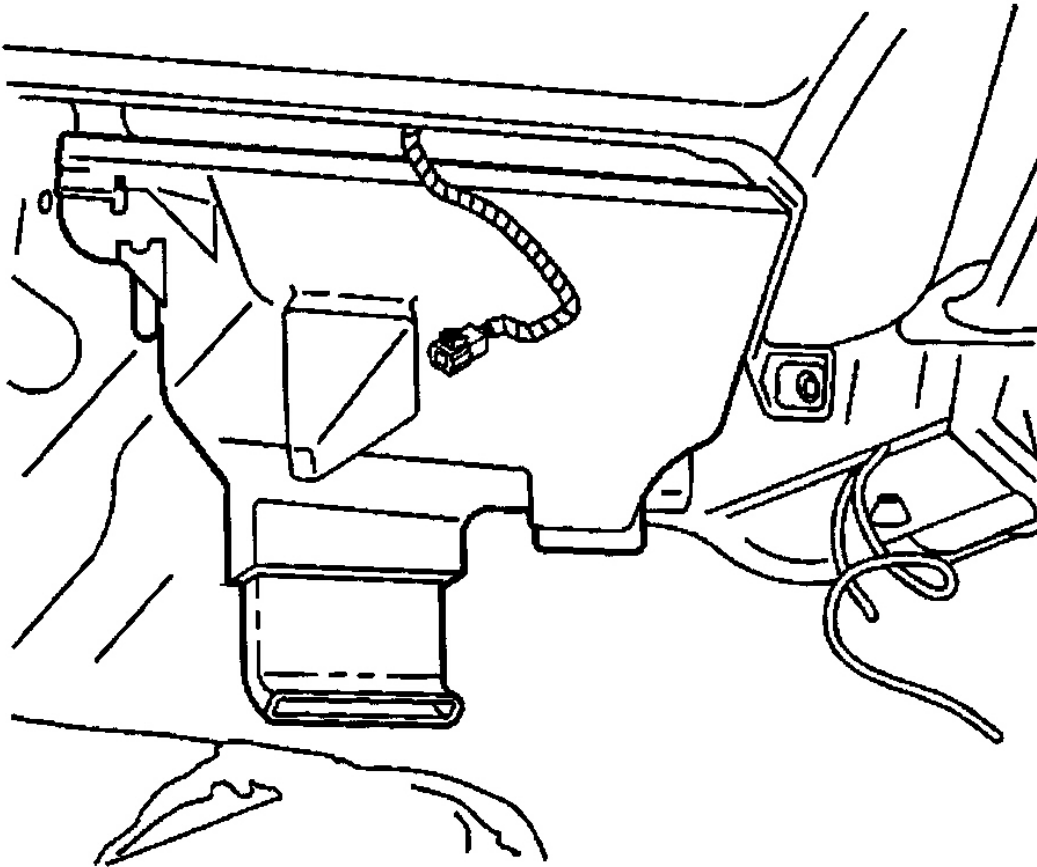


Removal

1. Remove the following component: For a 3.4L engine, remove the air cleaner assembly. For a 3.8L engine, remove the fuel injector sight shield.
2. Drain the coolant. Use Hose Clamp Pliers in order to position aside the heater hose inlet and outlet clamp at the heater core. See [Fig. 41](#) . Disconnect the inlet and outlet heater hose from the heater core. Remove the right and left insulators. Remove the floor carpet around heater core area.
3. Remove the rear floor air outlet duct from the holes in the floor reinforcement. Disconnect the rear floor air outlet duct from the heater core outlet cover. See [Fig. 31](#) . Remove the bolts from the vacuum harness bracket and position bracket aside.

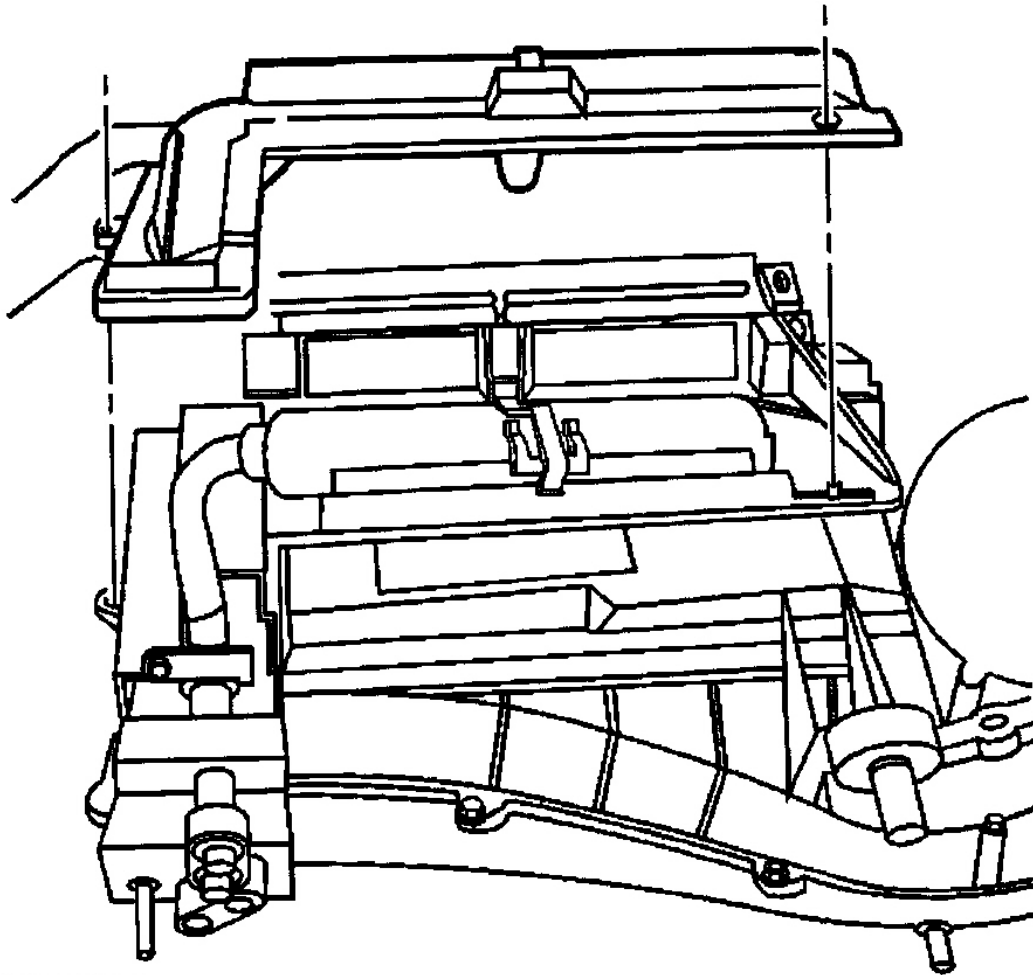
NOTE: **Position the heater core outlet cover downward and rearward in order to disconnect the cover from the rear area floor duct assembly.**

4. Remove the screws from the heater core outlet cover. Remove the heater core outlet cover. See [Fig. 32](#) . Remove the screws from the heater core cover. Remove the heater core cover. Remove and discard the seals from the heater core cover. See [Fig. 33](#) . Remove the caulk from the heater core cover.
5. Remove and discard the outer seal from the heater core. See [Fig. 34](#) . Remove the screw from the heater core line clamp. See [Fig. 35](#) . Remove the heater core retaining clamp. Remove the screw from the heater core pipe retainer clamp. Remove the heater core from the HVAC lower case. See [Fig. 36](#) .
6. Remove and discard the lower seal from the HVAC case. See [Fig. 37](#) . Remove and discard the center seal from the HVAC case. Remove and discard the upper seal from the HVAC lower case. Remove and discard the side seals from the HVAC lower case.



G00192077

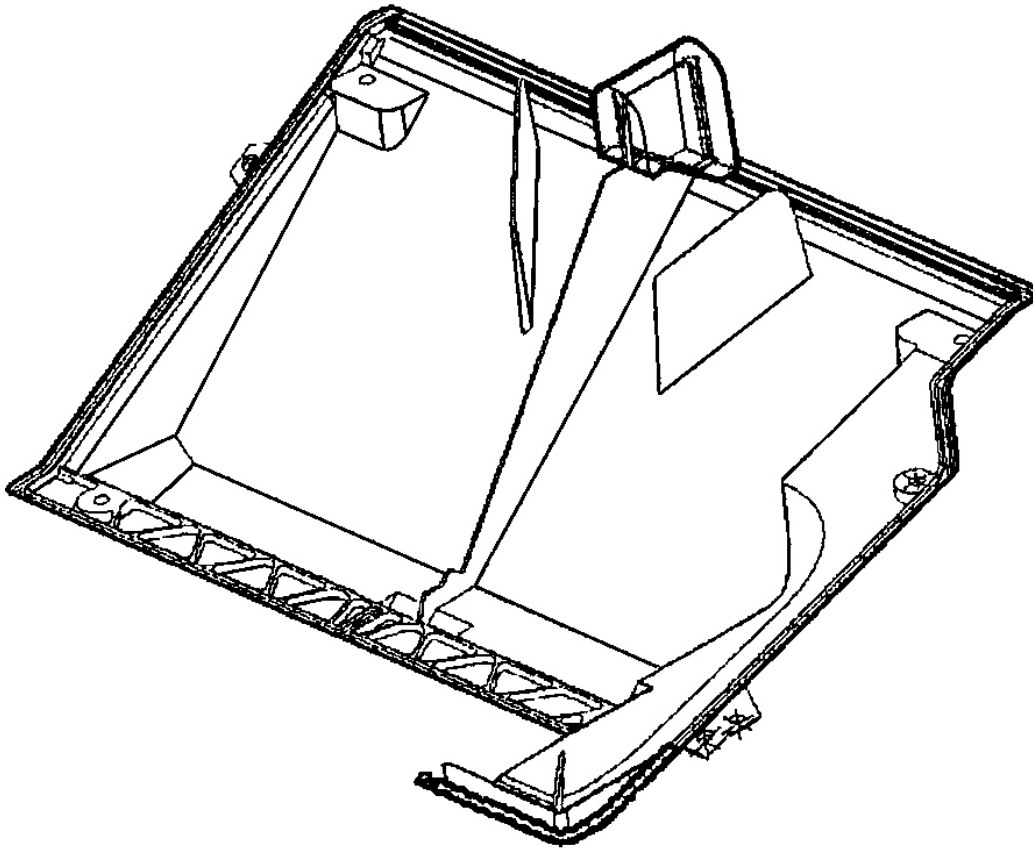
Fig. 31: Removing & Installing Rear Floor Heater Duct
Courtesy of GENERAL MOTORS CORP.



G00192078

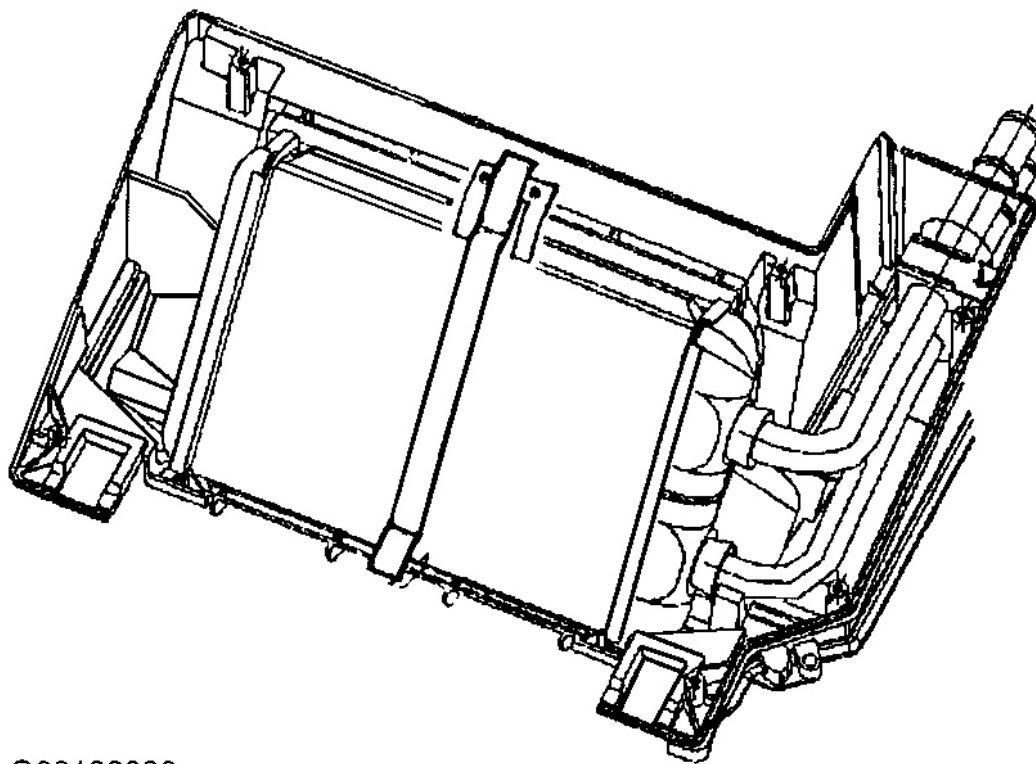
Fig. 32: Removing & Installing Heater Core Cover

Courtesy of GENERAL MOTORS CORP.



G00192079

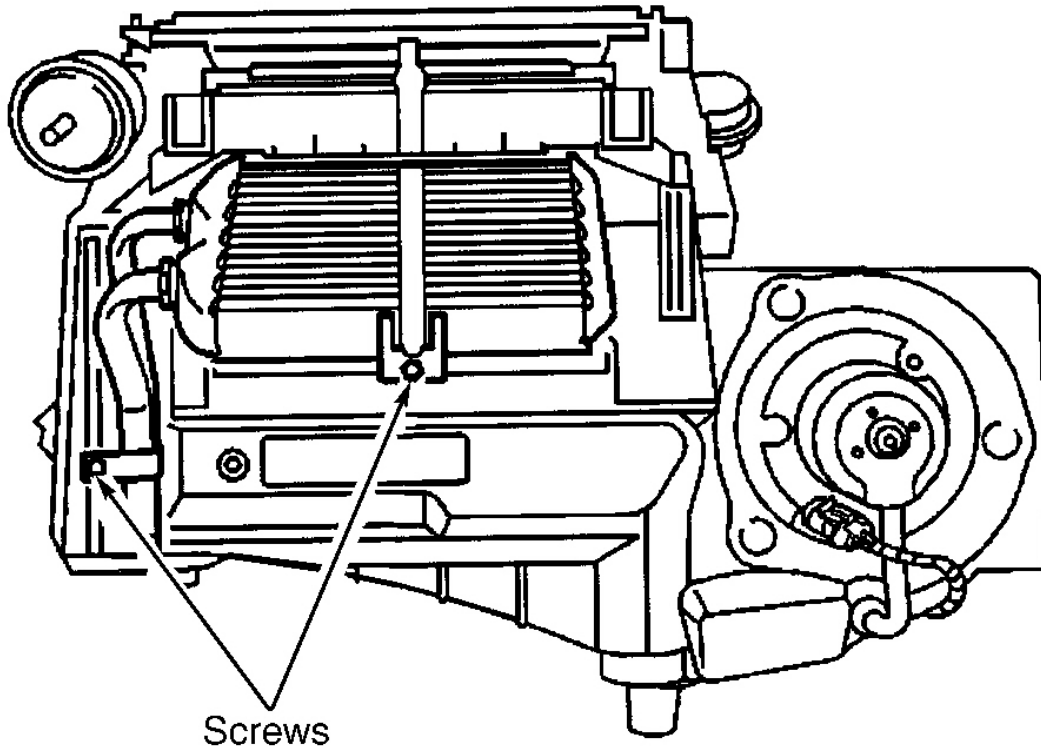
Fig. 33: Removing & Installing Outer Seals On Heater Core Cover
Courtesy of GENERAL MOTORS CORP.



G00192080

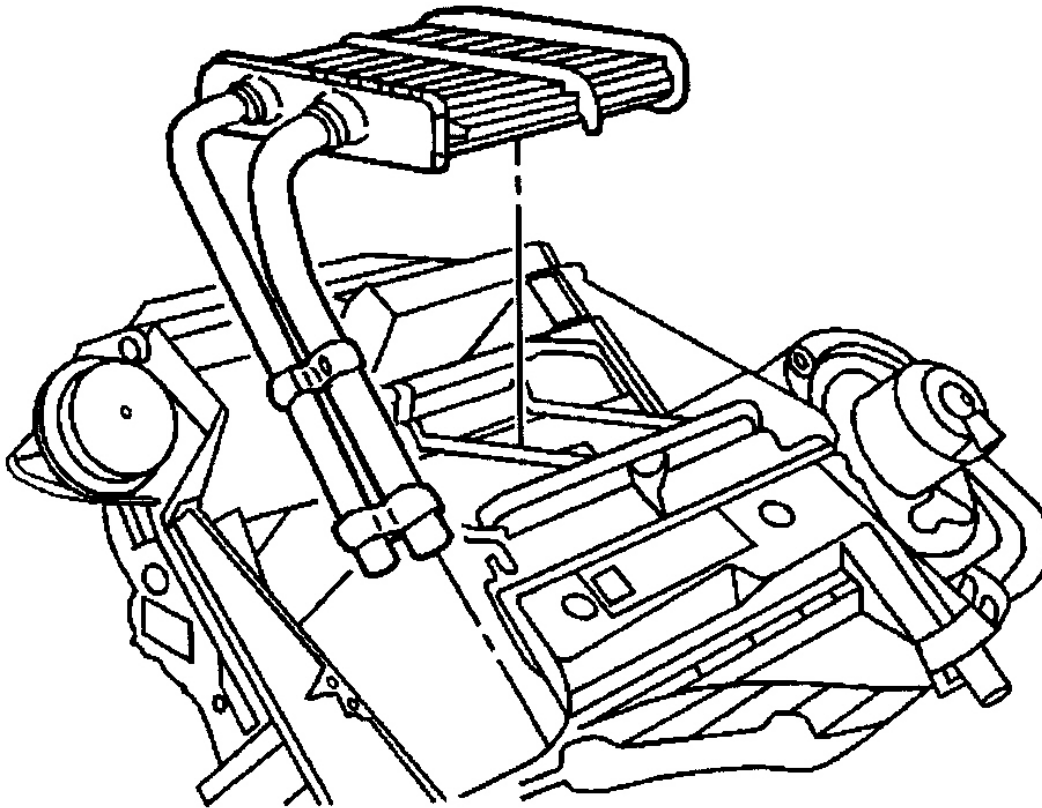
Fig. 34: Removing & Installing Heater Core Outer Seal

Courtesy of GENERAL MOTORS CORP.



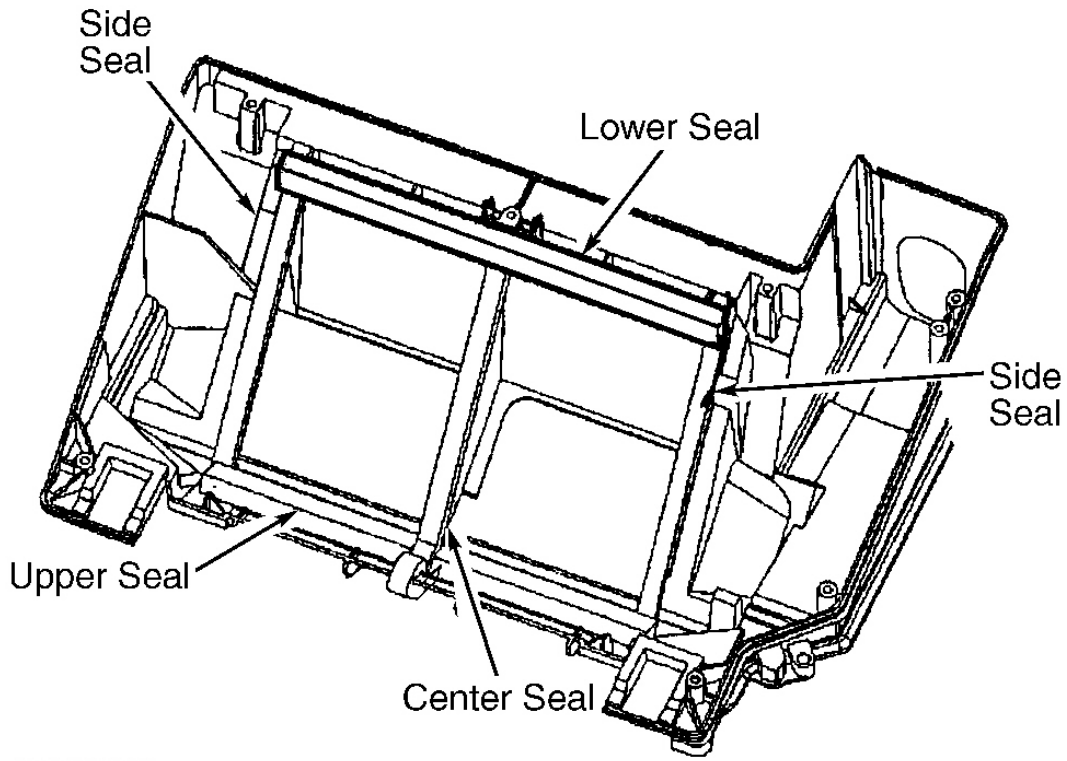
G00192081

Fig. 35: Locating Heater Core Retaining Screws
Courtesy of GENERAL MOTORS CORP.



G00192082

Fig. 36: Removing & Installing Heater Core
Courtesy of GENERAL MOTORS CORP.



G00192083

Fig. 37: Locating Cover Seals
Courtesy of GENERAL MOTORS CORP.