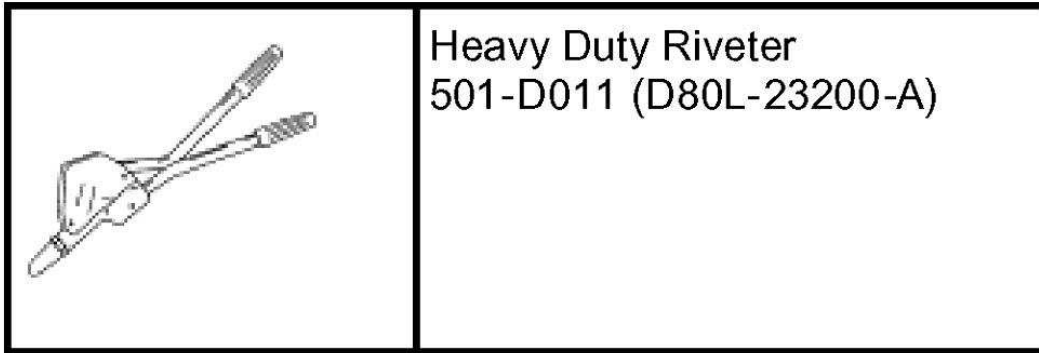


DOOR WINDOW GLASS - FRONT

Special Tool(s)



G03246651

Fig. 365: Identifying Special Tool(s)
 Courtesy of FORD MOTOR CO.

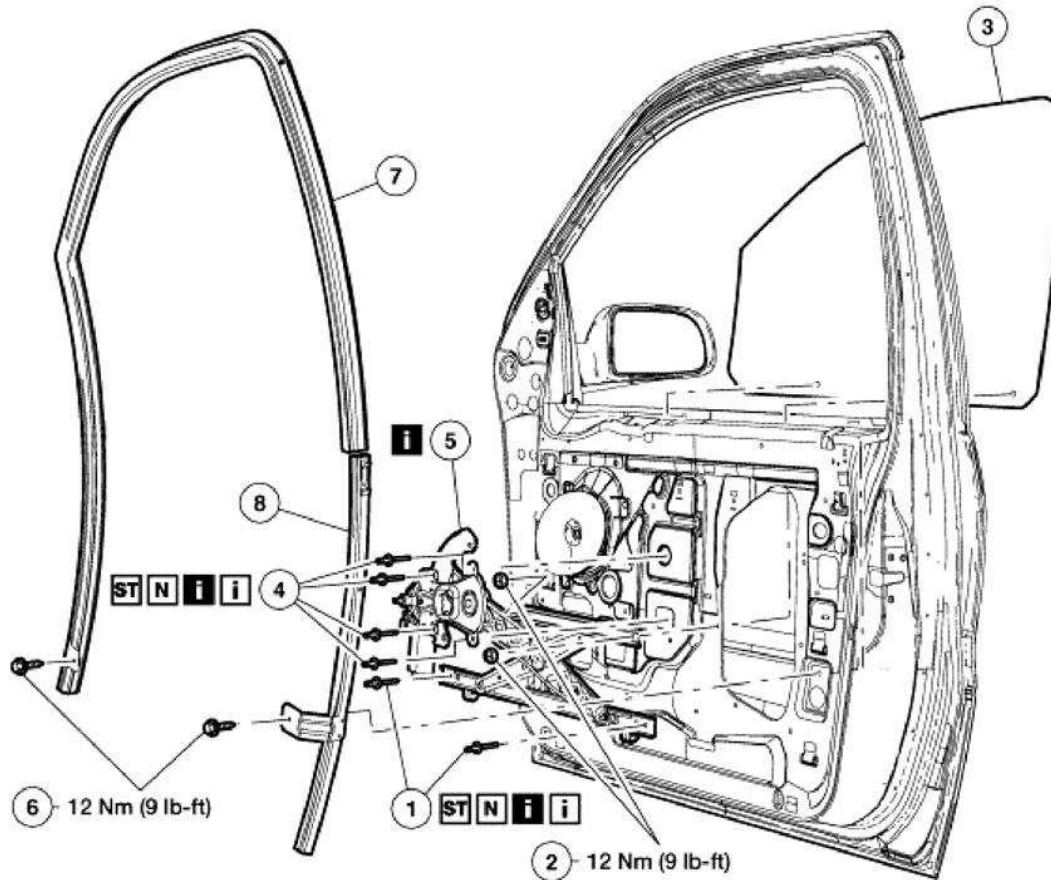
1. Remove the front door trim panel. For additional information, Refer to [FRONT DOOR TRIM PANEL](#) .
2. Position the watershield aside.
3. Remove the parts in the order indicated in the following illustration and table.

To remove individual parts, only carry out the listed steps:

Part	Steps
Front door window glass	1, 3
Front door window regulator	1-5
Front door glass run	1, 3, 6-8

2004 Ford Freestar

2004 BODY & ACCESSORIES Body System - Exterior - Freestar



Item	Part Number	Description
1	W706495-5100	Rivet (2 required) Removal Note Installation Note
2	N8621986	Nut (3 required)
3	21410	Front door window glass
4	W706495-5100	Rivet (4 required) Removal Note Installation Note
5	23200	Front door window regulator Removal Note
6	N800507-S	Bolt (2 required)
7	21596	Front door glass run
8	—	Front door glass run (Part of 21596)

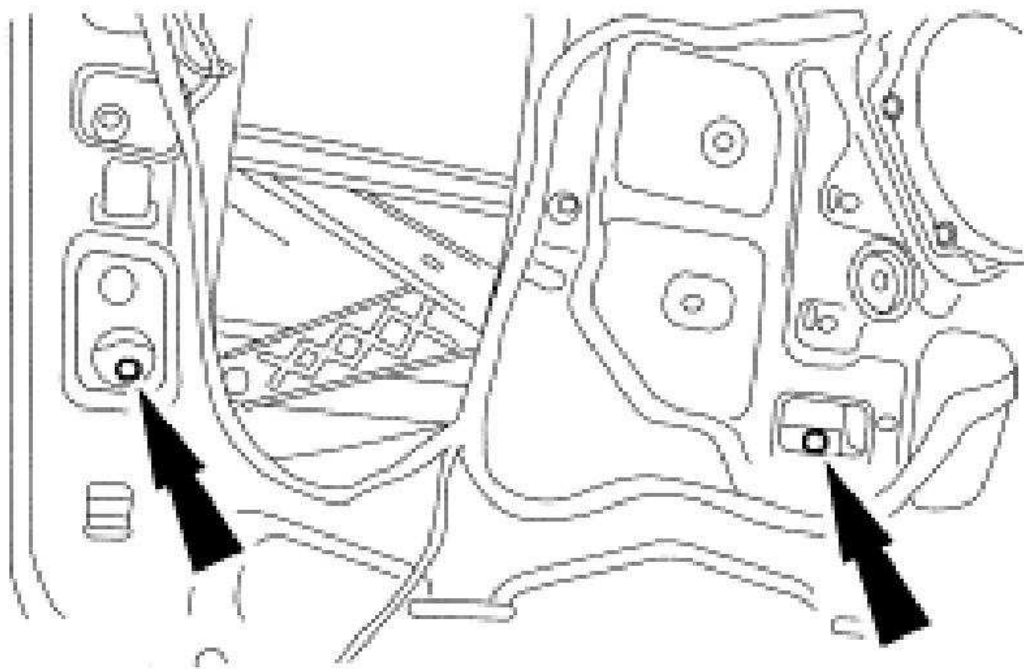
G03246652

Fig. 366: Removing Door Window Glass - Front
 Courtesy of FORD MOTOR CO.

4. To install, reverse the removal procedure.

Item 1: Rivet Removal Note

1. Connect the window control switch.
2. Connect the battery.
3. Position the door window glass halfway down to gain access to the door window glass rivets.
 - Remove the rivets.



G03246653

Fig. 367: Removing Rivets
Courtesy of FORD MOTOR CO.

Item 4: Rivet Removal Note

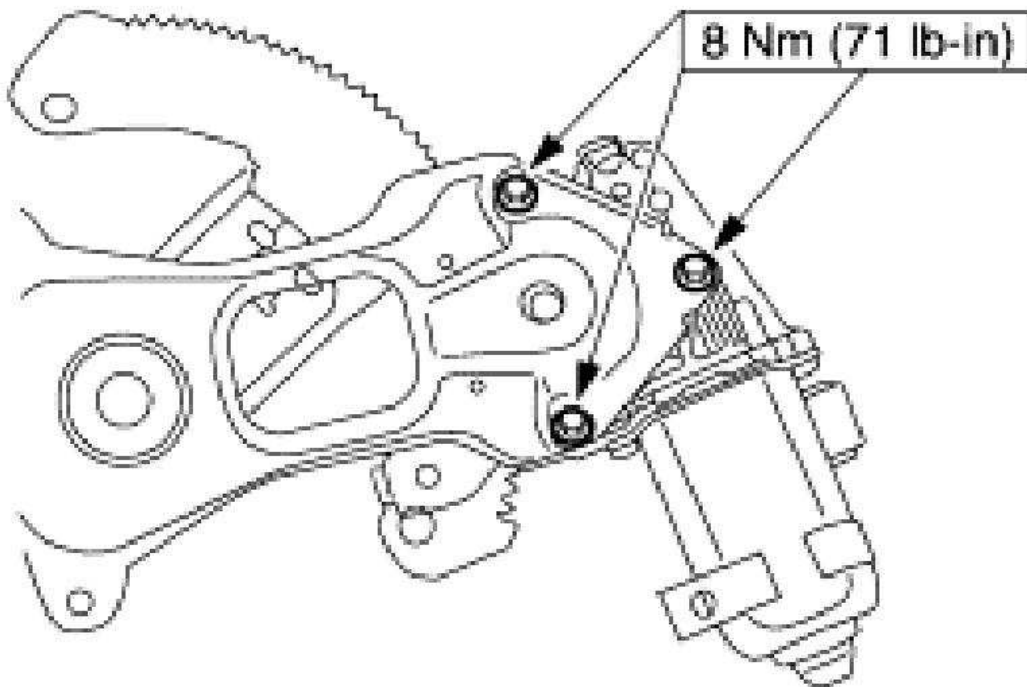
1. Remove the rivets.

Item 5: Front Door Window Regulator Removal Note

1. Disconnect the electrical connector.

WARNING: Prior to power window motor removal, make sure the regulator arms are in a fixed position to prevent counterbalance spring unwind. Failure to place the regulator arms in a fixed position can cause the spring to suddenly release resulting in personal injury.

NOTE: The counterbalance spring assists the window in the upward direction.



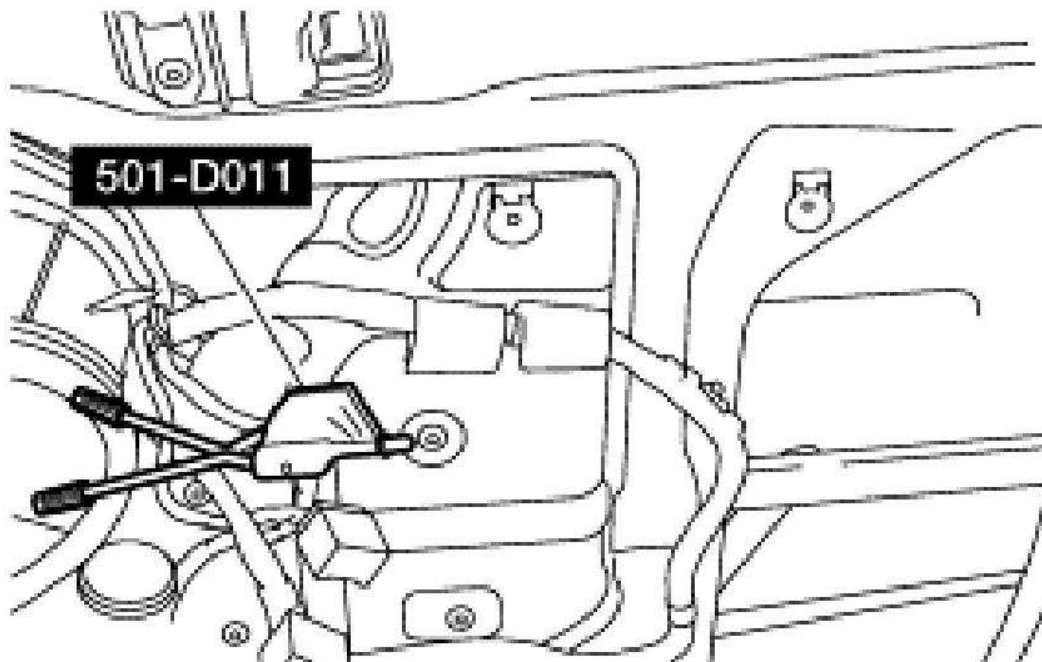
G03246654

Fig. 368: Removing Window Regulator Motor
Courtesy of FORD MOTOR CO.

2. Remove the bolts and the window regulator motor.

Item 4: Rivet Installation Note

1. Using the special tool, install the rivets.



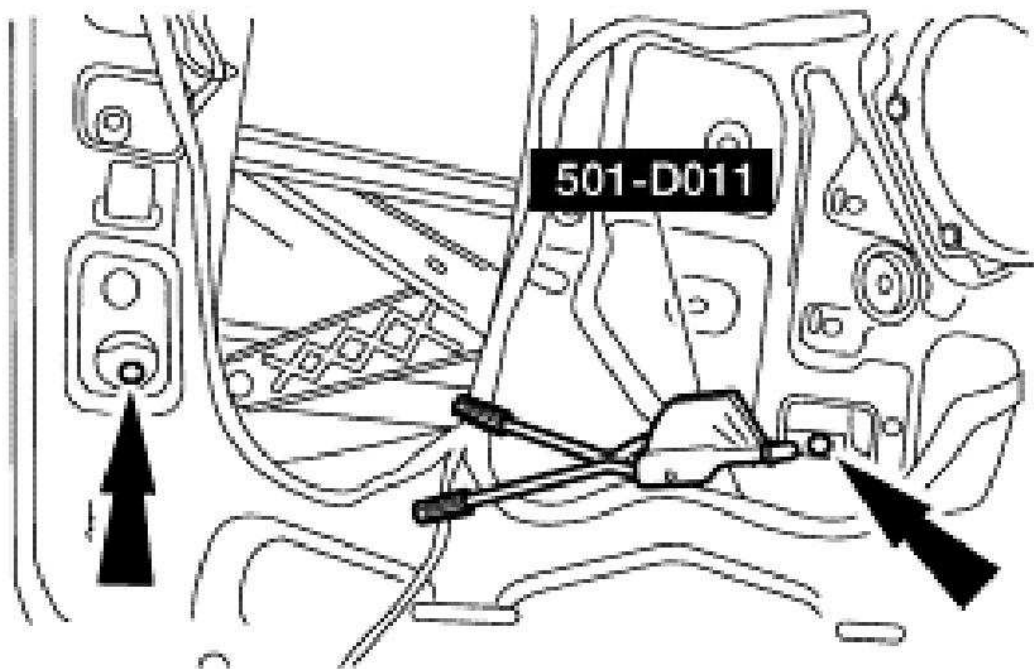
G03246655

[Fig. 369: Installing Rivets](#)

Courtesy of FORD MOTOR CO.

Item 1: Rivet Installation Note

1. Using the special tool, install the rivets.



G03246656

Fig. 370: Installing Rivets
Courtesy of FORD MOTOR CO.