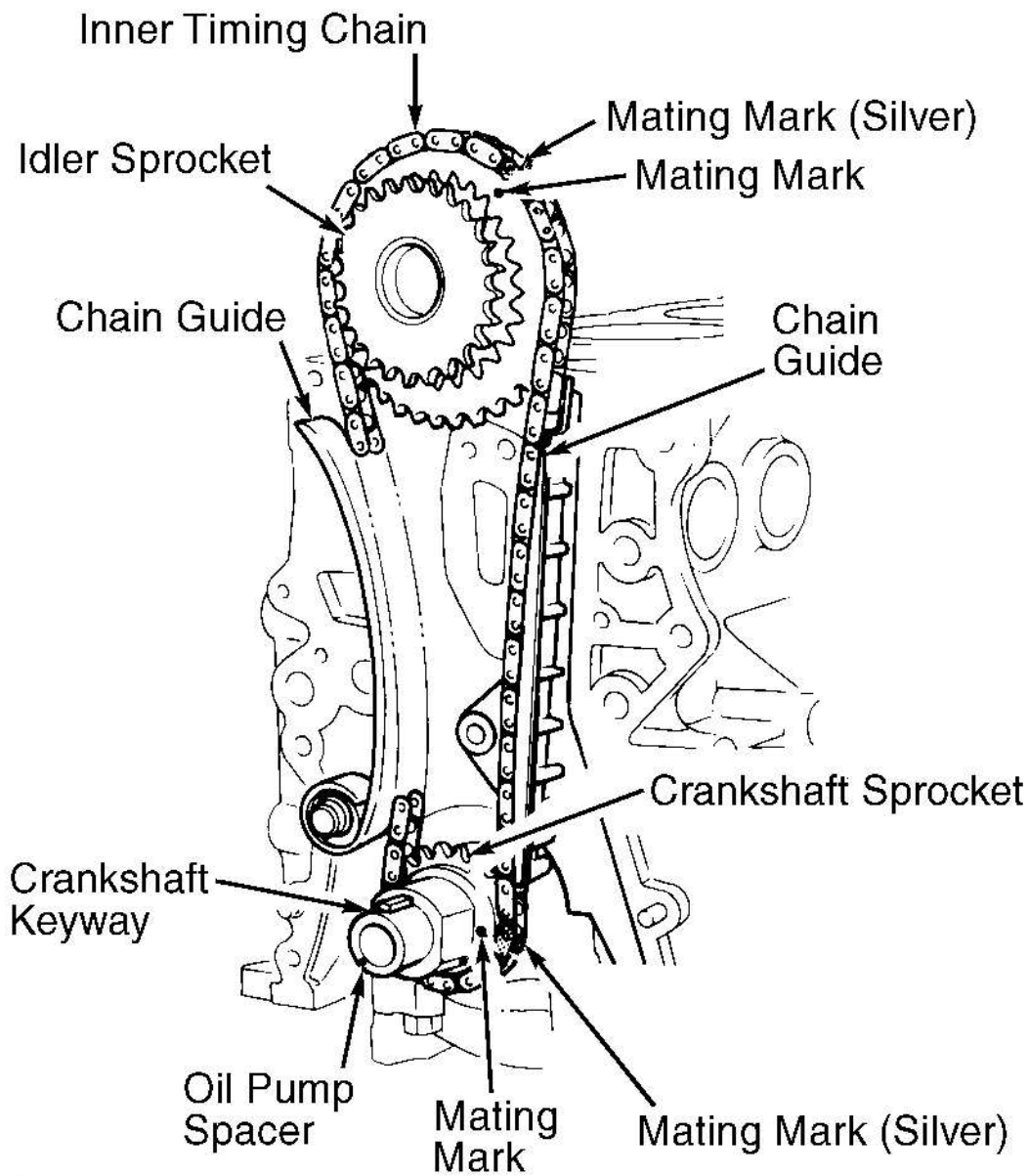


Installation (240SX) - Inner (Lower) Timing Chain

CAUTION: Be careful not to tear or damage cylinder head gasket.

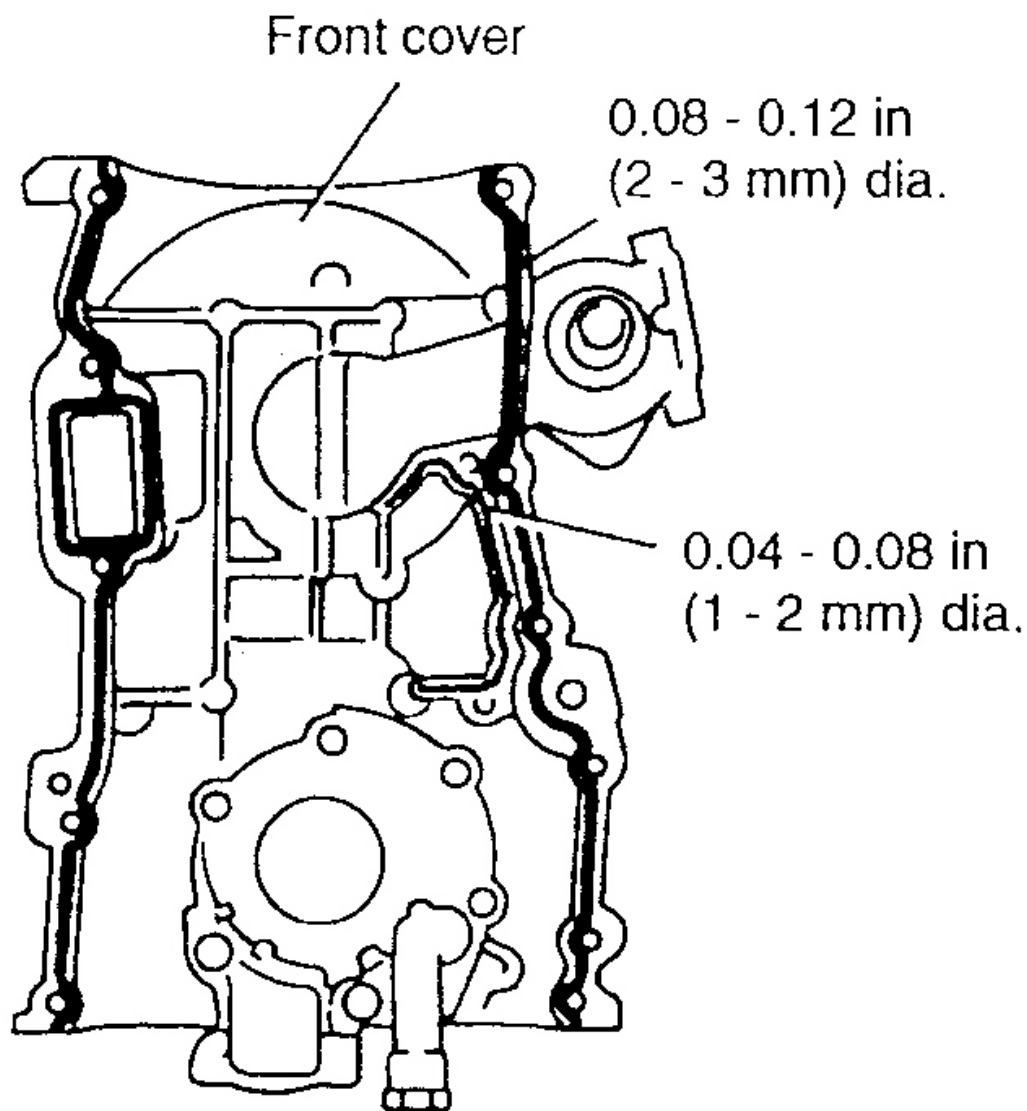
1. Install crankshaft sprocket, making sure mating marks face front of engine. Install idler sprocket and lower timing chain using mating marks on timing chain, crankshaft sprocket and idler sprocket. See **Fig. 11** .
2. Install chain guide and chain tension arm. Install lower chain tensioner and remove pin securing piston into tensioner body. Remove all traces of liquid gasket from cylinder block and front cover mating surfaces. Install new crankshaft seal in front cover.
3. Apply a continuous bead of RTV sealant to front cover. See **Fig. 12** . Also, place RTV sealant on head gasket surface. Install front cover to engine.
4. Install oil strainer and oil pan. See **OIL PAN** . Install oil pump. To complete installation, reverse removal procedure. Tighten all fasteners to specification. See **TORQUE SPECIFICATIONS** .



G92F01568

Fig. 11: Aligning Inner Timing Chain Marks (240SX)

Courtesy of NISSAN MOTOR CO., U.S.A.



98H52842

Fig. 12: Applying Sealant to Cover (240SX)

Courtesy of NISSAN MOTOR CO., U.S.A.

Installation (240SX) - Outer (Upper) Timing Chain

1. Install lower timing chain if removed. See **INSTALLATION (240SX) - INNER (LOWER) TIMING CHAIN**. Install upper timing chain and sprockets using reference marks. See **Fig. 8**. Install chain tensioner. Remove pin holding tensioner piston in bore of tensioner.

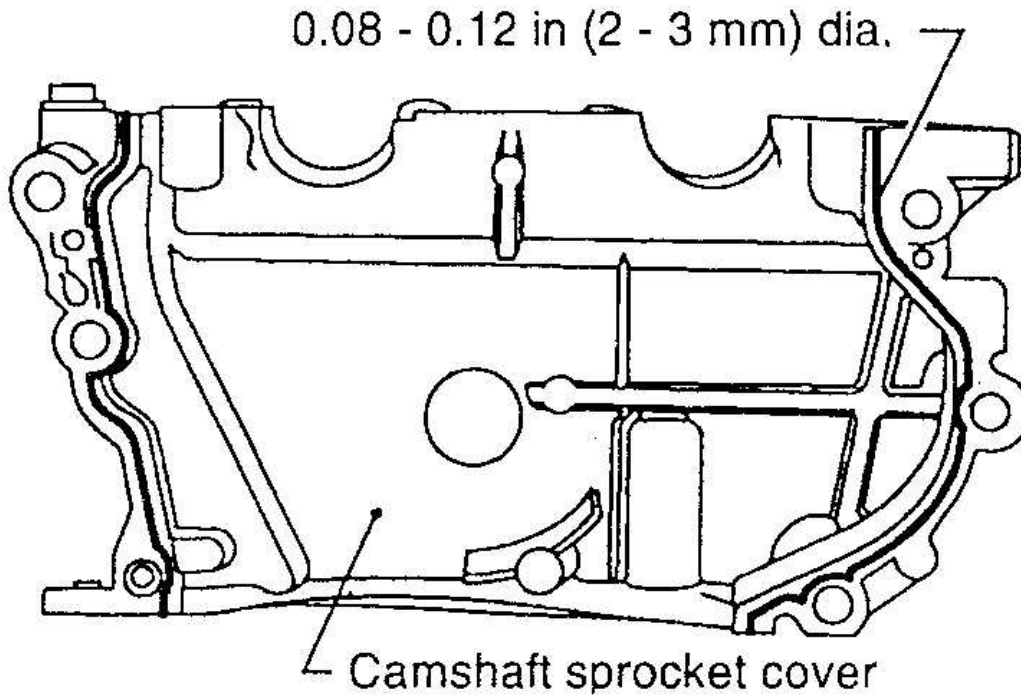
NOTE: The 2 chain guides for outer (upper) timing chain have been deleted. Discard the 2 outer (upper) chain guides and their bolts during any service to timing chain. Use illustration for component reference. See [Fig. 7](#) .

2. Remove all traces of liquid gasket from mating surfaces of engine block and camshaft sprocket cover. Apply a continuous bead of RTV sealant to camshaft sprocket cover as shown. See [Fig. 13](#) . Also, place RTV sealant on head gasket surface.

CAUTION: Be careful not to tear or damage cylinder head gasket.

CAUTION: Be careful that outer timing chain does not slip or jump when installing camshaft sprocket cover.

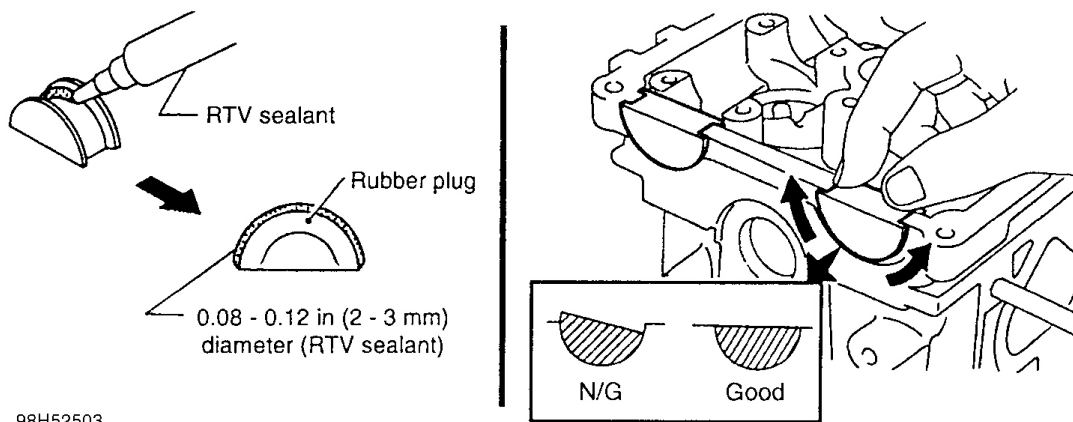
3. Install camshaft sprocket cover. Install rubber plugs into cylinder head after applying RTV sealant. See [Fig. 14](#) . Install valve cover, tightening valve cover bolts as shown. See [Fig. 15](#) .
4. Install distributor. Make sure No. 1 piston is set at TDC and distributor rotor is set at No. 1 cylinder spark position. See [Fig. 16](#) . To complete installation, reverse removal procedure. Tighten all fasteners to specification. See [TORQUE SPECIFICATIONS](#) .



98G52502

Fig. 13: Application Of Sealant To Front Cover (240SX)

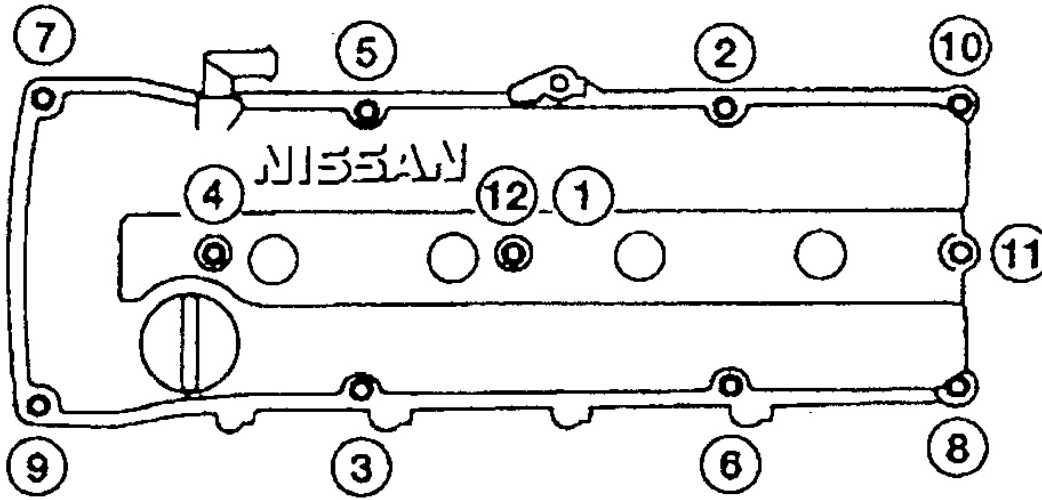
Courtesy of NISSAN MOTOR CO., U.S.A.



98H52503

Fig. 14: Applying Sealant & Installing Plugs (240SX)

Courtesy of NISSAN MOTOR CO., U.S.A.

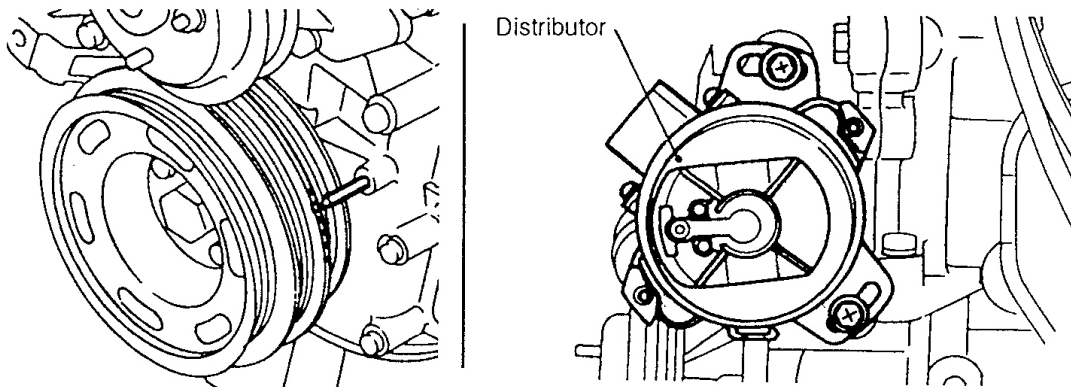


TIGHTEN IN NUMERICAL ORDER

98152504

Fig. 15: Valve Cover Bolt Tightening Sequence (240SX)

Courtesy of NISSAN MOTOR CO., U.S.A.



98152843

Fig. 16: Installing Distributor (240SX)

Courtesy of NISSAN MOTOR CO., U.S.A.