

2007 Honda Pilot EX

2006-08 ACCESSORIES AND EQUIPMENT Consoles - Pilot

1. Starting at the top, gently pull the center front covers (A) out to detach the clips (B), then pull the cover out to detach the remaining clips (C), and remove the covers from both sides.

Fastener Locations

B, C ▷ : Clip, 6

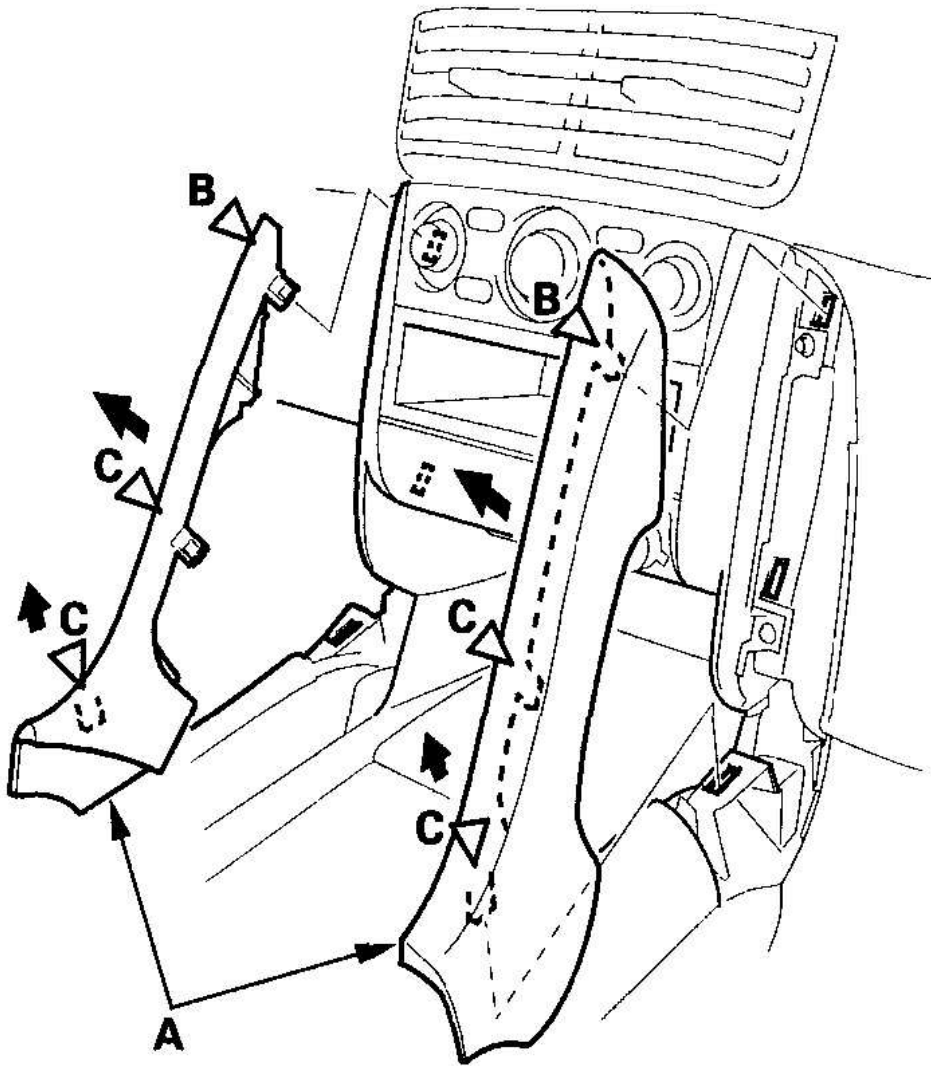
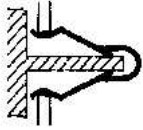


Fig. 1: Locating Fasteners

Courtesy of AMERICAN HONDA MOTOR CO., INC.

2. Remove the center lower cover (A).
 - 1 Remove the coin pocket (B).
 - 2 Remove the screws (C).
 - 3 Pull the cover out to detach the clips (D).
 - 4 Disconnect the accessory power socket connector (E) and console light connector (F).

Fastener Locations

C ► : Screw, 5 **D** ► : Clip, 2

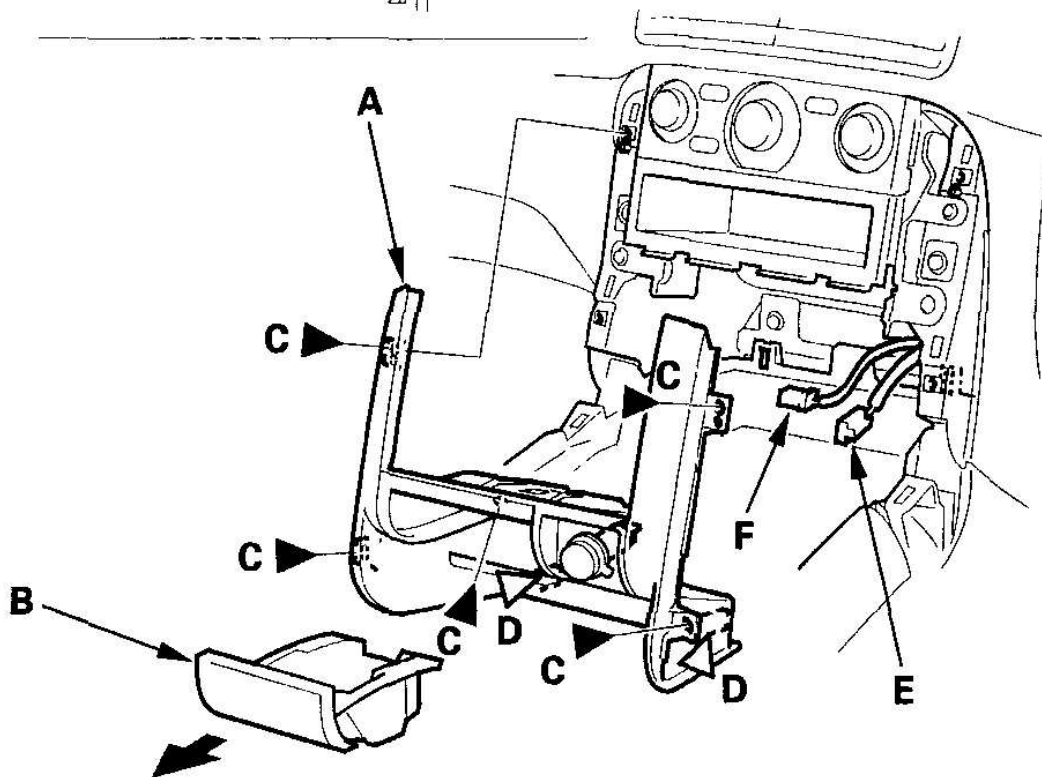
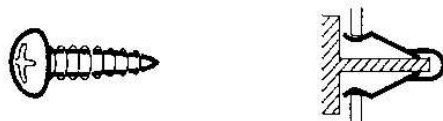


Fig. 2: Removing Center Lower Cover

Courtesy of AMERICAN HONDA MOTOR CO., INC.

3. For some models: Remove the center lower cover (A) with the seat heater switches.

- 1 Remove the screws (B).
- 2 Pull the cover out to detach the clips (C).
- 3 Disconnect the accessory power socket connector (D), seat heater switch connectors (E), and console light connector (F).

Fastener Locations

B ▶ : Screw, 4 **C ▷ : Clip, 2**

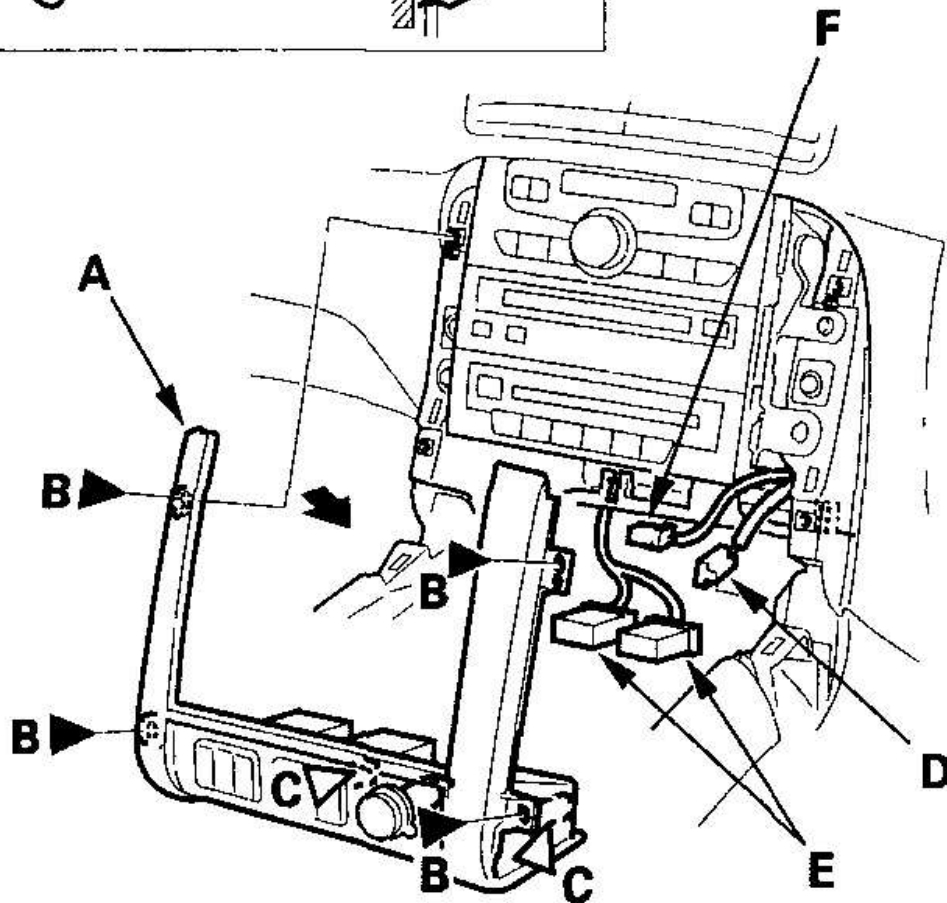
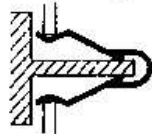
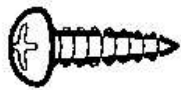


Fig. 3: Removing Center Lower Cover (A) With Seat Heater Switches
 Courtesy of AMERICAN HONDA MOTOR CO., INC.

- Detach the clips and release the hooks (A), then remove the driver's console side trim (B) and passenger's console side trim (C).

Fastener Locations

▷ : Clip, 14

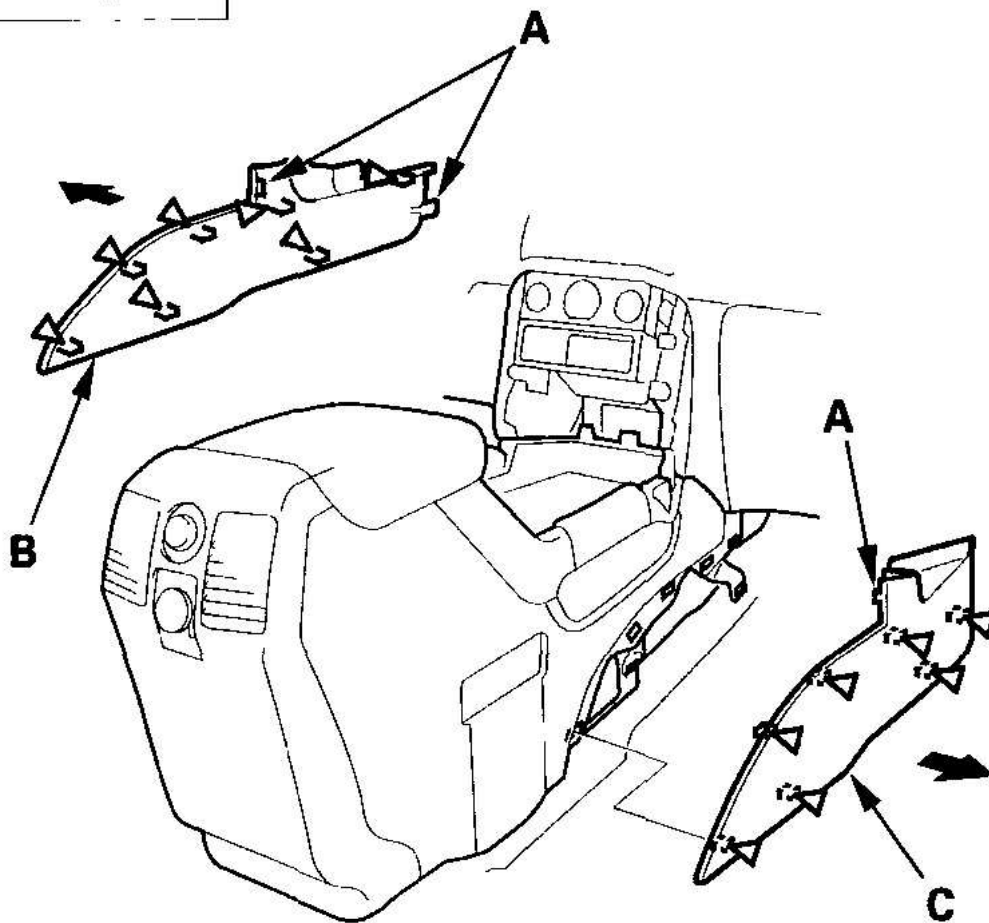
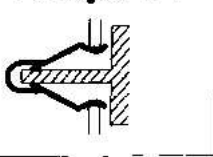


Fig. 4: Removing Driver's Console Side Trim And Passenger's Console Side Trim
 Courtesy of AMERICAN HONDA MOTOR CO., INC.

- Starting at the top, gently pull out the console rear trim (A) to detach the clips (B), then pull out the trim to detach the remaining clips (C), and disconnect the rear heater-A/C passenger's control panel-unit

connectors (D) and accessory power socket connector (E). If equipped with rear entertainment system, disconnect the rear entertainment system jack connector (F).

Fastener Locations

B, C ▷ : Clip, 9

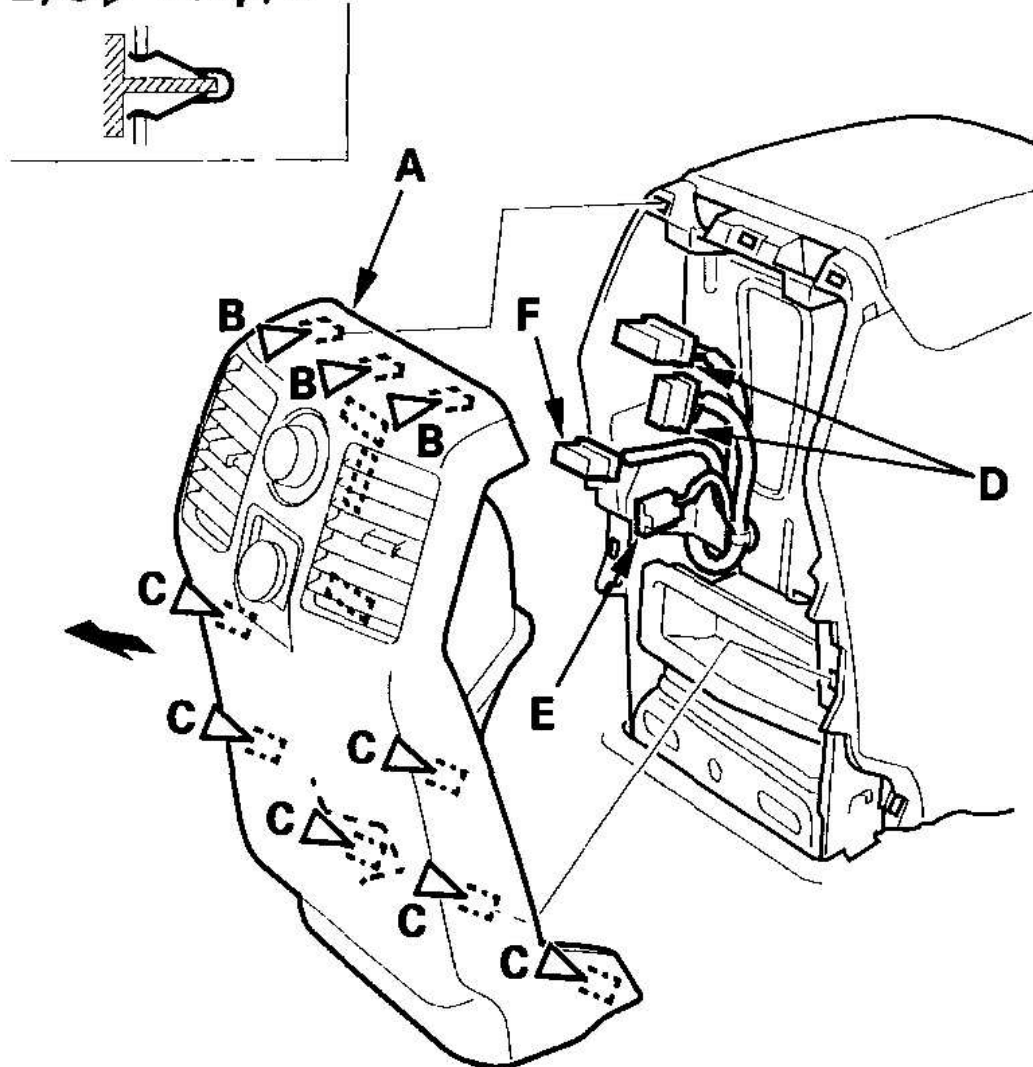


Fig. 5: Pulling Out Trim

Courtesy of AMERICAN HONDA MOTOR CO., INC.

6. Remove the center console (A).
 - o 1 From both sides, remove the bolts (B) and screws (C).

- 2 Detach the harness clip (D).
- 3 Disconnect the accessory power socket connector (E), and detach it.
- 4 Lift the console up, then remove it.

Fastener Locations

B ▶ : Bolt, 2 **C ▶ : Screw, 8**

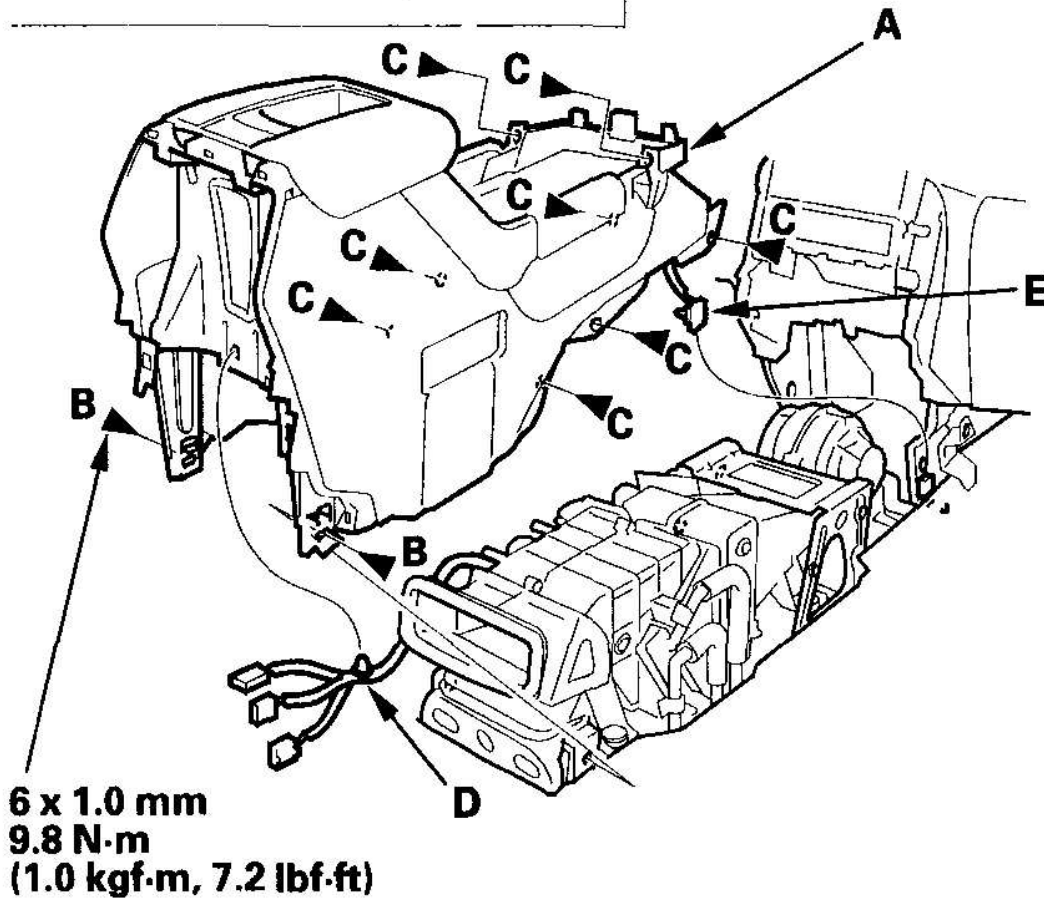


Fig. 6: Removing Center Console With Torque Specifications
Courtesy of AMERICAN HONDA MOTOR CO., INC.

7. Install the center console in the reverse order of removal, and note these items:
 - Check for damaged or stress-whitened clips, and replace them with a new one.

2007 Honda Pilot EX

2006-08 ACCESSORIES AND EQUIPMENT Consoles - Pilot

- Make sure all the connectors are plugged in properly.
- Push the clips into place securely.