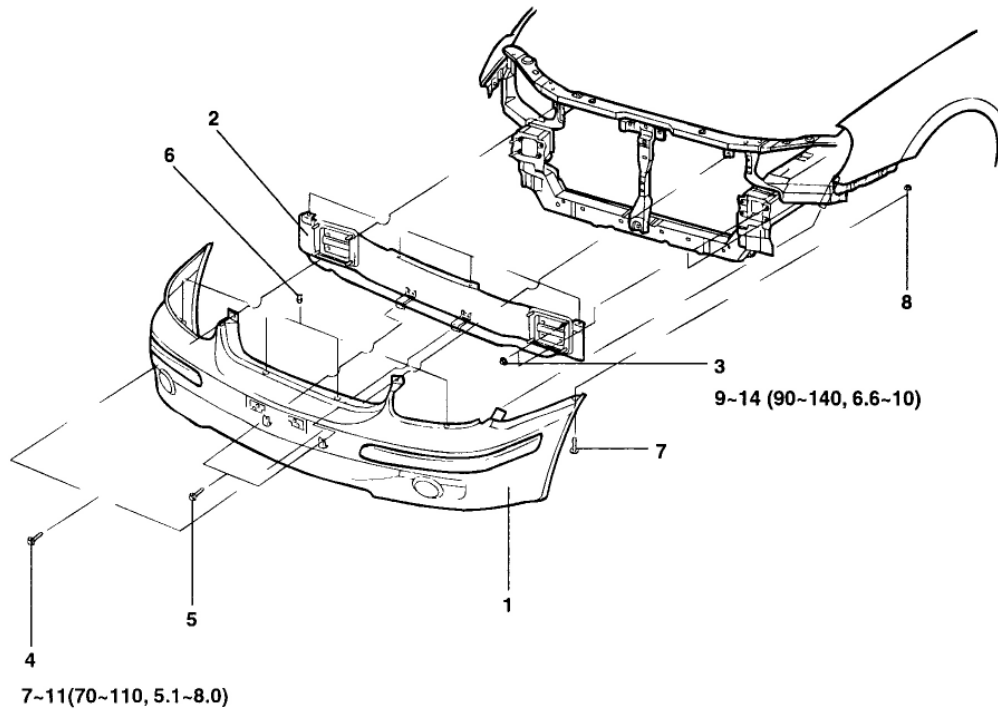


## FRONT BUMPER

### COMPONENTS



1. Front bumper cover
2. Bumper beam
3. Flange nuts
4. Bolts
5. Bolts
6. Retainer
7. Tapping screws
8. Retainer

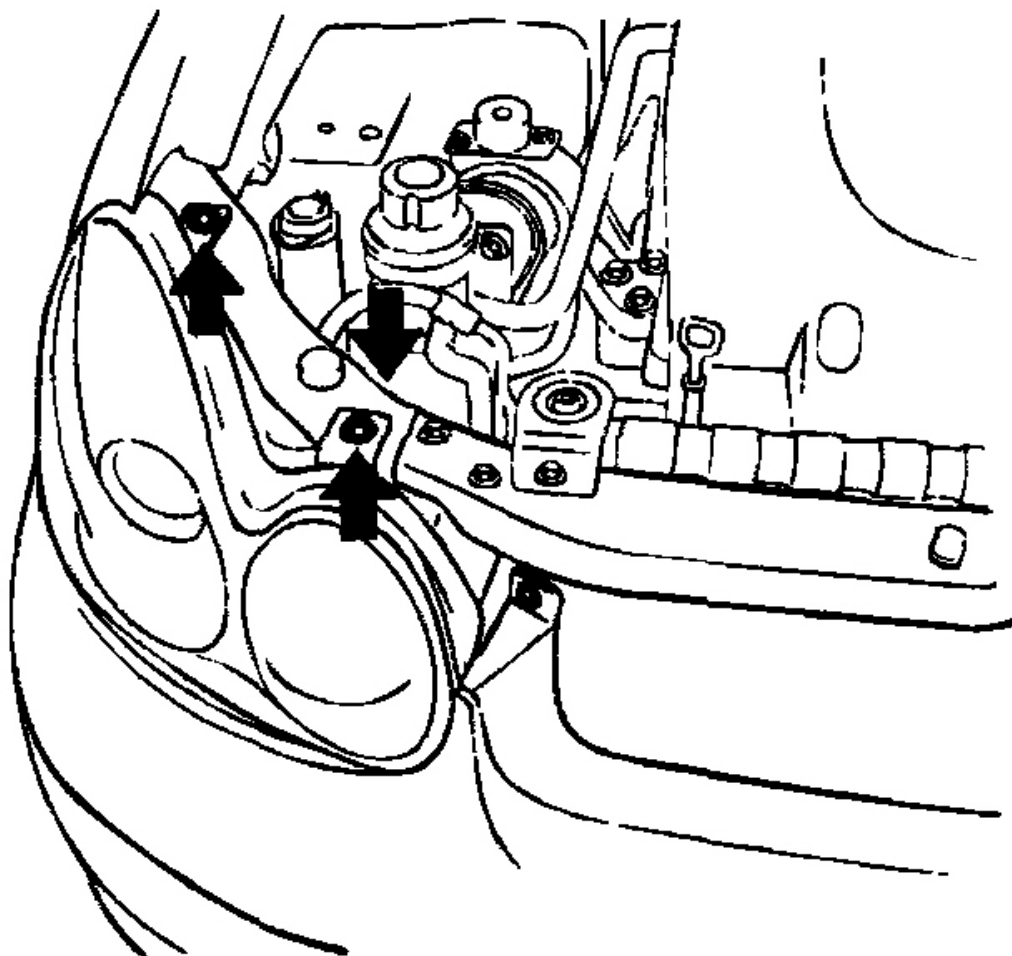
**TORQUE : Nm (kg-cm, lb-ft)**

G03859036

**Fig. 1: Identifying Front Bumper Components With Torque Specifications**  
 Courtesy of HYUNDAI MOTOR CO.

### REMOVAL

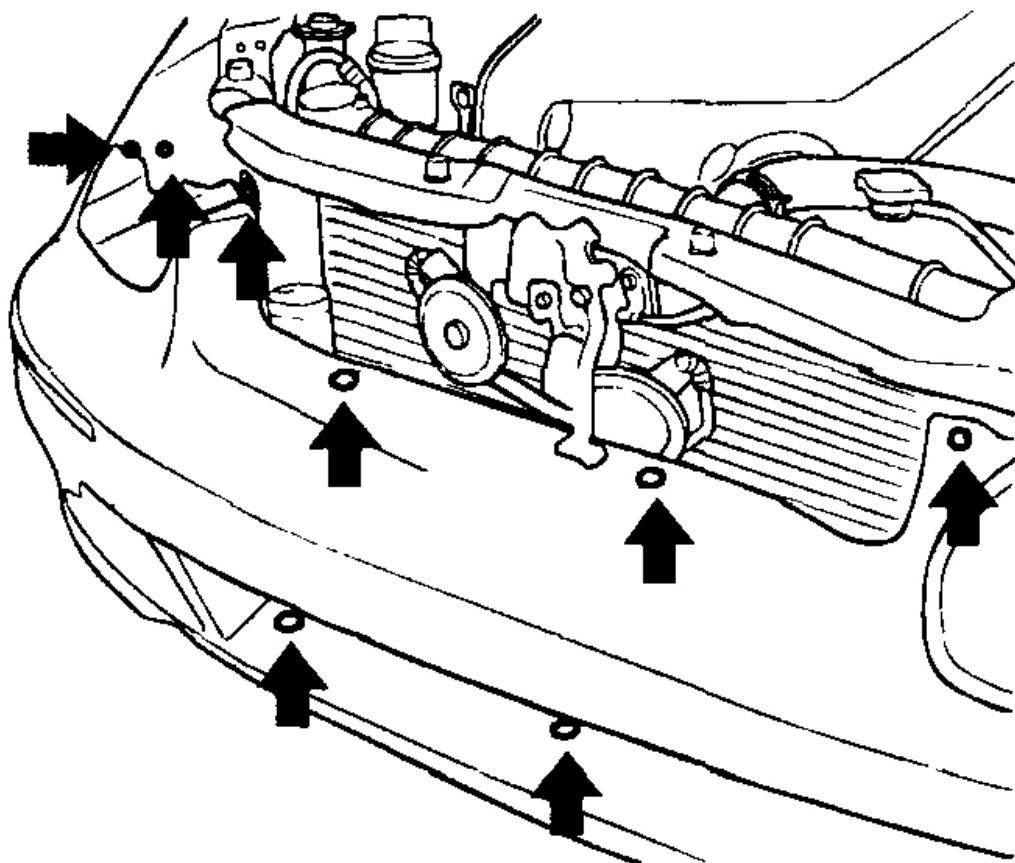
1. Remove the head lamp and turn signal lamp mounting bolts(3ea) and disconnect the wire connectors.



G03859037

**Fig. 2: Removing Head Lamp And Turn Signal Lamp Mounting Bolts (3ea)**  
Courtesy of HYUNDAI MOTOR CO.

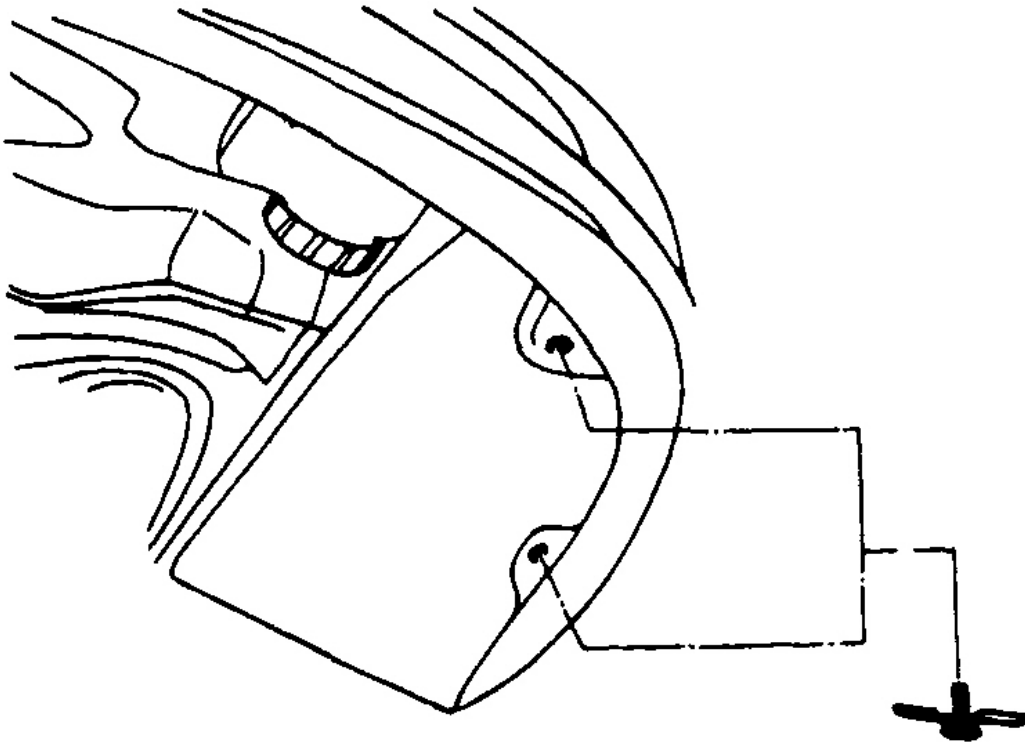
2. Remove the bumper cover upper mounting bolts and retainers.



G03859038

**Fig. 3: Removing Bumper Cover Upper Mounting Bolts And Retainers**  
Courtesy of HYUNDAI MOTOR CO.

3. Remove the bumper cover lower mounting retainers.



G03859039

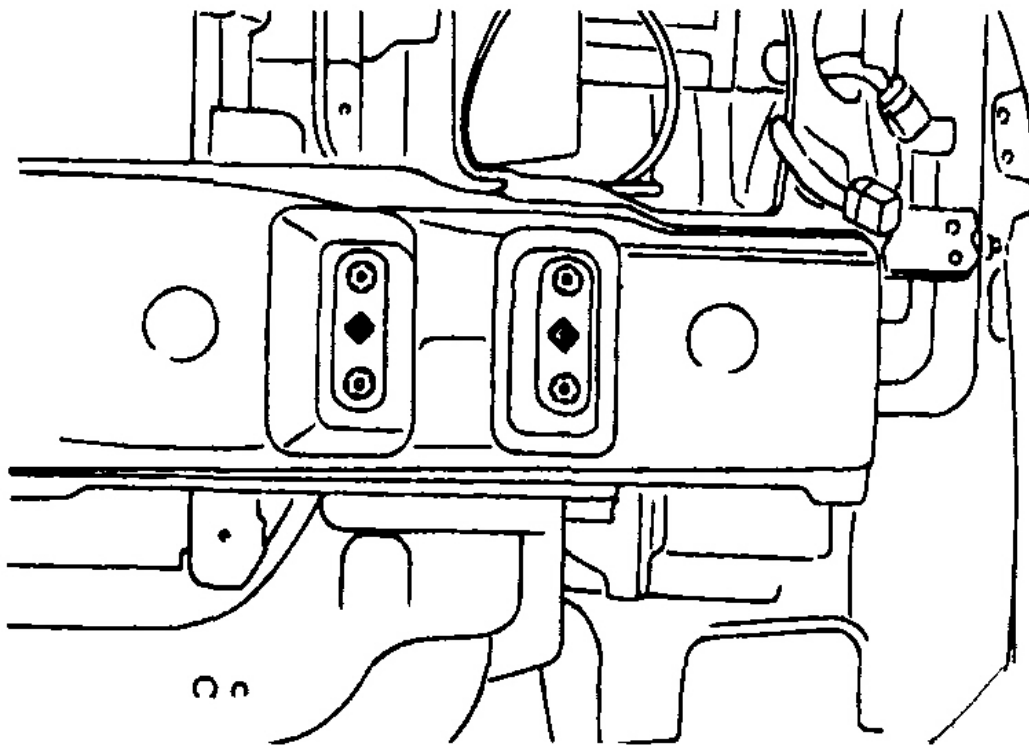
**Fig. 4: Removing bumper cover lower mounting retainers**

Courtesy of HYUNDAI MOTOR CO.

4. Remove the front bumper cover from the front bumper back beam.
5. Remove the front bumper back beam mounting nuts.

**Tightening torque:**

9~14 Nm (90~140 kg.cm, 6.6~10 lb.ft)



G03859040

**Fig. 5: Removing Front Bumper Back Beam Mounting Nuts**  
Courtesy of HYUNDAI MOTOR CO.

6. Installation is the reverse of removal.