

BLOWER MOTOR RESISTOR ASSEMBLY REPLACEMENT

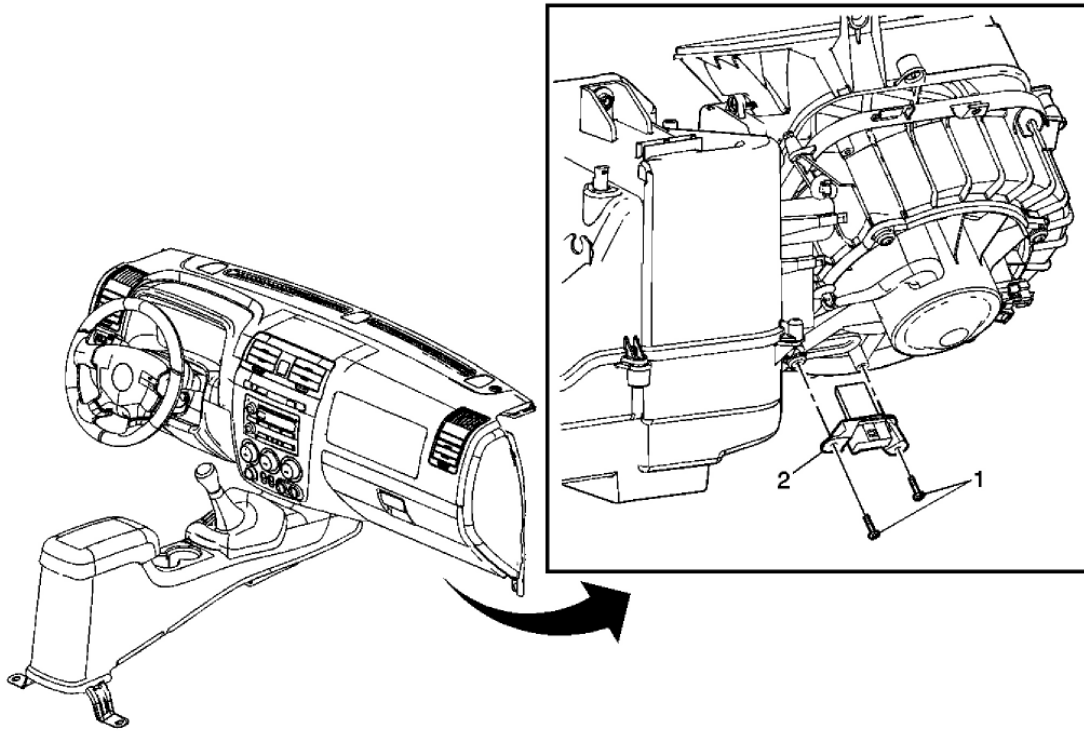


Fig. 37: Blower Motor Resistor Assembly Replacement

Courtesy of GENERAL MOTORS CORP.

Blower Motor Resistor Assembly Replacement

Callout	Component Name
NOTE: Refer to <u>Fastener Notice</u> .	
Fastener Tightening Specifications: Refer to <u>Fastener Tightening Specifications</u> . Preliminary Procedure: Disconnect the blower motor resistor electrical connector.	
1	Screw, Blower Motor Resistor Tighten: 1.5 N.m (13 lb in)
2	Resistor, Blower Motor

BLOWER MOTOR REPLACEMENT

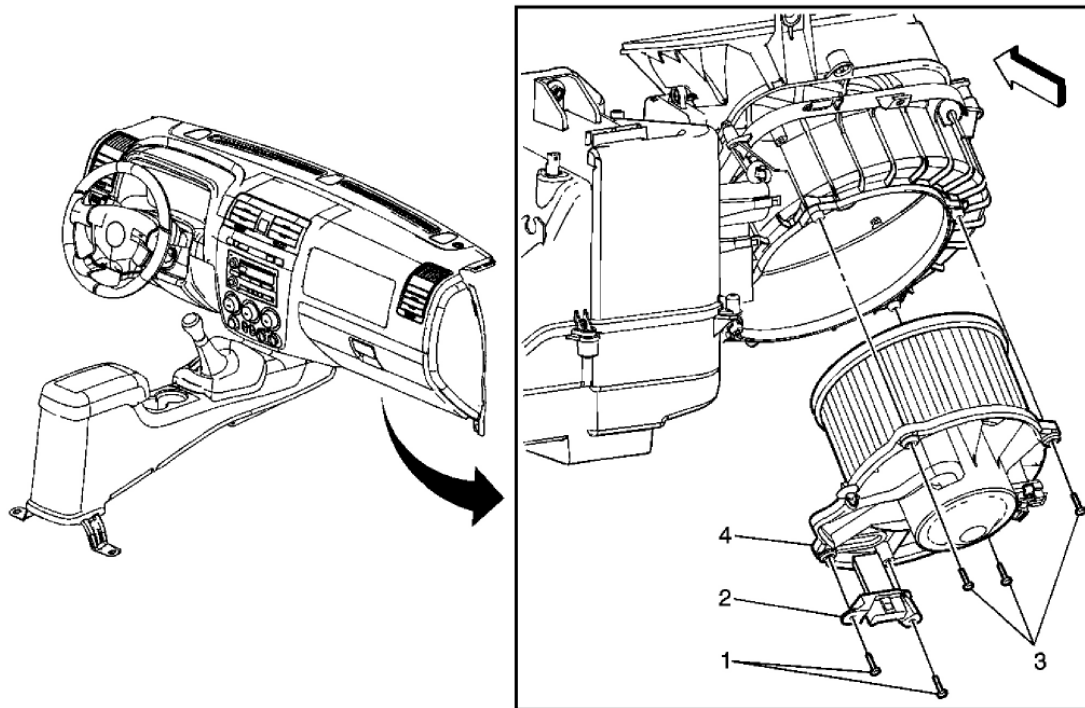


Fig. 38: Blower Motor Replacement
 Courtesy of GENERAL MOTORS CORP.

Blower Motor Replacement

Callout	Component Name
NOTE: Refer to Fastener Notice .	
Fastener Tightening Specifications: Refer to Fastener Tightening Specifications . Preliminary Procedure: Disconnect the blower motor resistor electrical connector.	
1	Screw, Blower Motor Resistor (Qty: 2) Tighten: 1.5 N.m (13 lb in)
2	Resistor, Blower Motor
3	Screw, Blower Motor (Qty: 3) Tighten: 1.5 N.m (13 lb in)
4	Motor Assembly, Blower