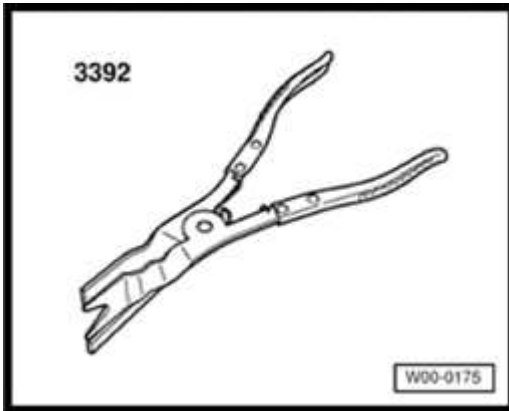


## DOOR TRIM

### Tools

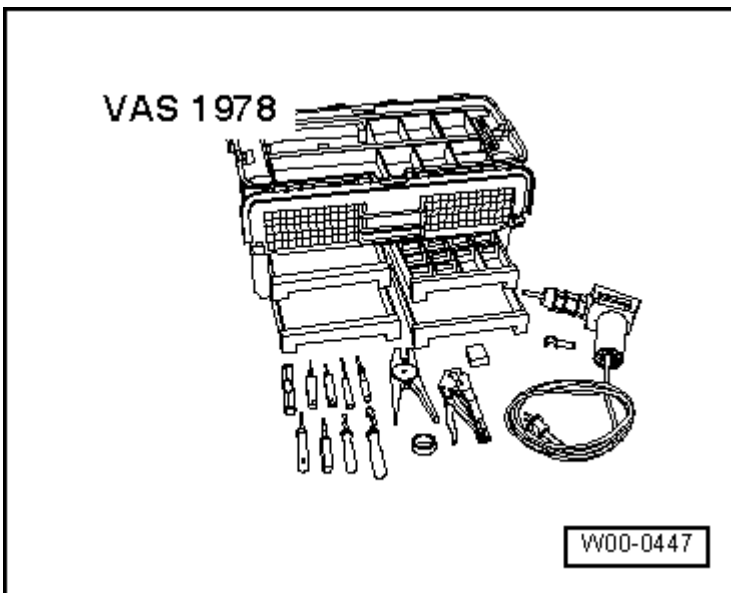
### Special tools, testers and auxiliary items required



**[Fig. 188: Disassembly Pliers 3392](#)**

Courtesy of VOLKSWAGEN UNITED STATES, INC.

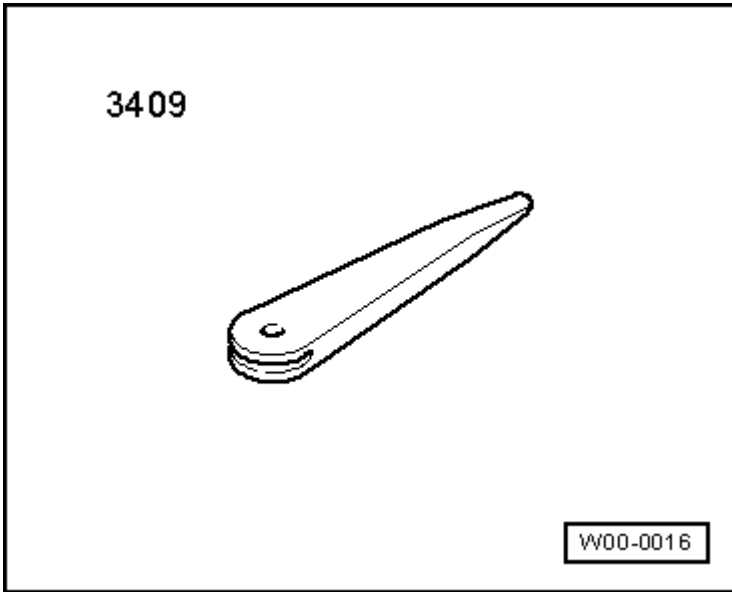
- Disassembly pliers 3392



**[Fig. 189: VAS 1978 Wiring Repair Set](#)**

Courtesy of VOLKSWAGEN UNITED STATES, INC.

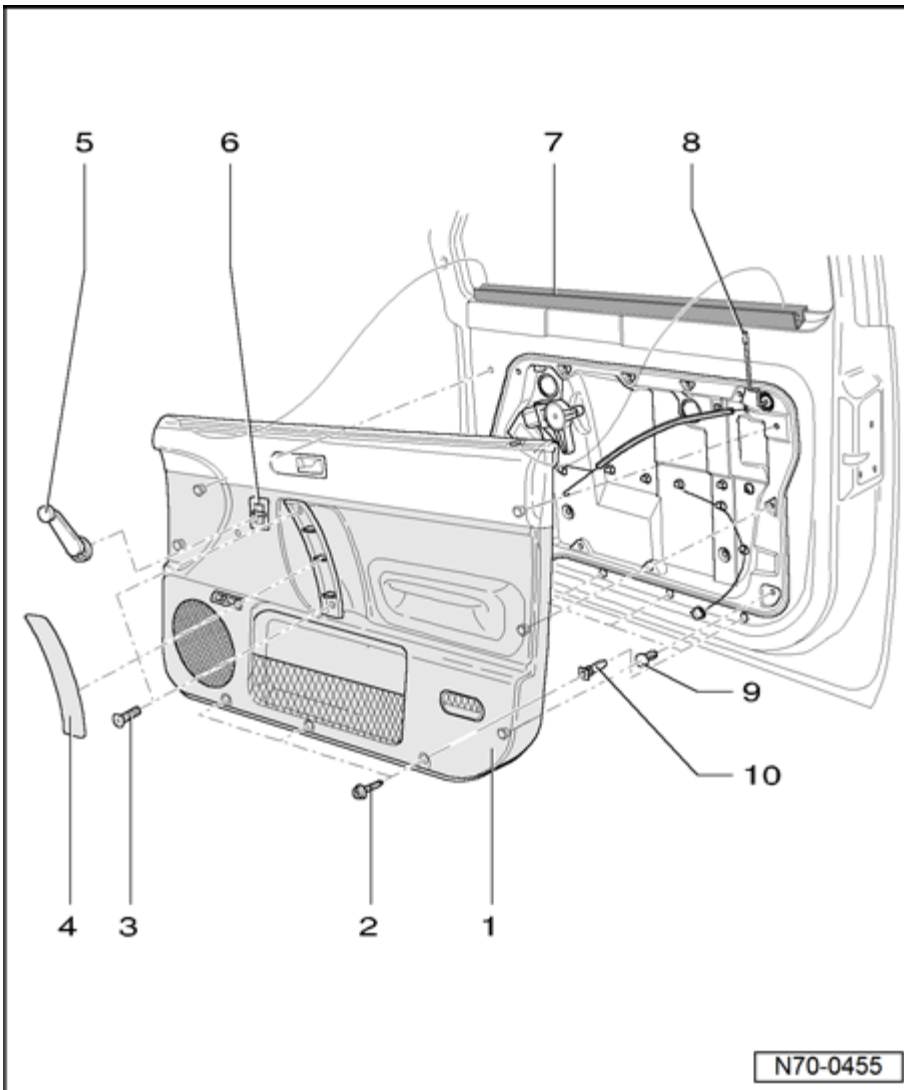
- Wiring harness repair kit VAS 1978



**Fig. 190: Wedge 3409**  
Courtesy of VOLKSWAGEN UNITED STATES, INC.

- Trim removal wedge 3409

Front door trim - assembly overview



**Fig. 191: Front Door Trim - Assembly Overview**

Courtesy of VOLKSWAGEN UNITED STATES, INC.

1 - Trim

- Servicing --> [Door trim, servicing.](#)

2 - Bolt

- 3 pieces

3 - Two bolts behind handle trim

- 4 Nm

4 - Handle trim

5 - Manual window crank

- With manually operated windows only

6 - Window regulator switch

- With electrically operated windows only

7 - Inner window recess seal

8 - Securing knob

9 - Clip

- 3 pieces

10 - Expanding nut

- 3 pieces

**Front door trim, removing and installing**

**CAUTION: Before working on electrical system: Disconnect battery ground (GND) strap --> 27 - BATTERY, STARTER, GENERATOR, CRUISE CONTROL, MECHANICAL COMPONENTS, TROUBLESHOOTING**

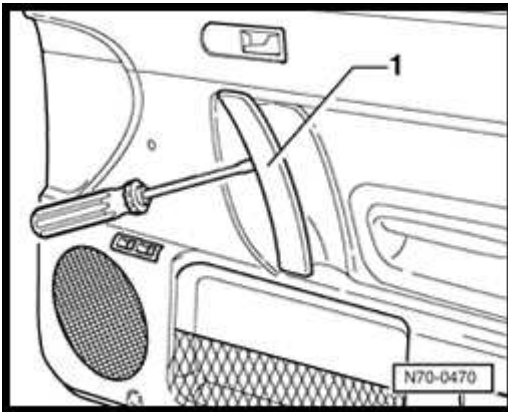
**NOTE:**

- Removal and installation is described for right side of vehicle. The same instructions apply for removal and installation for the left-hand side.
- Obtain security code for radio with anti-theft coding before disconnecting battery Ground (GND) strap

**Removing**

- Switch ignition off.
- Disconnect battery ground (GND) strap --> **27 - BATTERY, STARTER, GENERATOR, CRUISE CONTROL, MECHANICAL COMPONENTS, TROUBLESHOOTING**

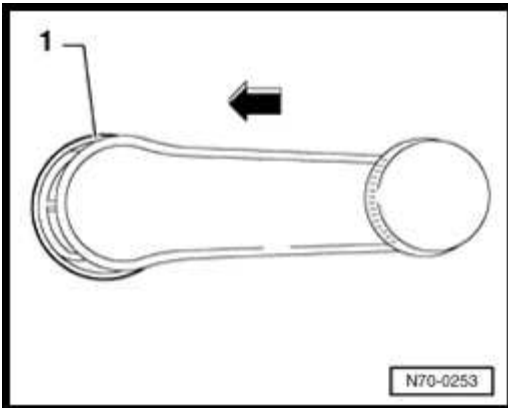
**Removing handle trim**



**Fig. 192: Carefully Pressing Handle Trim Off Door Trim With Flat Screwdriver**  
Courtesy of VOLKSWAGEN UNITED STATES, INC.

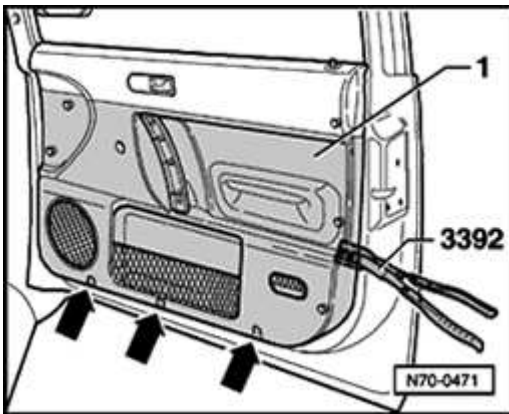
- Insert flat screwdriver between handle trim - 1 - and handle and carefully press handle trim off door trim

Removing window crank handle



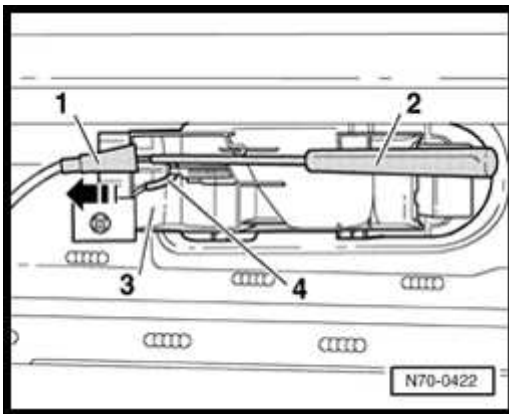
**Fig. 193: Sliding Spacer Ring And Pulling Window Crank From Mechanism**  
Courtesy of VOLKSWAGEN UNITED STATES, INC.

- Slide spacer ring - 1 - in - **direction of arrow** - (securing clip is released) and pull window crank from mechanism.
- Remove three bolts - **arrows** -.



**Fig. 194: Unclipping Door Trim At The Sides Using Pliers 3392**  
 Courtesy of VOLKSWAGEN UNITED STATES, INC.

- Unclip door trim - 1 - at the sides using Pliers 3392.
- Lift door trim upward out of window recess seal.



**Fig. 195: Unclipping Cable Guide Using A Flat Screwdriver, Pulling Out Bracket And Unhooking Cable Hook**  
 Courtesy of VOLKSWAGEN UNITED STATES, INC.

- Unclip cable guide - 1 - using a flat screwdriver - 2 - , pull out bracket - 3 - in - **direction of arrow** - and unhook cable hook - 4 - .
- Disconnect harness connectors.

**Installing**

- Installation is performed in the reverse order of removal.

**NOTE:**

- **Before installing door trim, check clips and replace if necessary, and insert into mounts of door trim.**
- **After connecting battery, vehicle options (radio, clock, electric window regulator) must be checked according to article and/or user manual.**