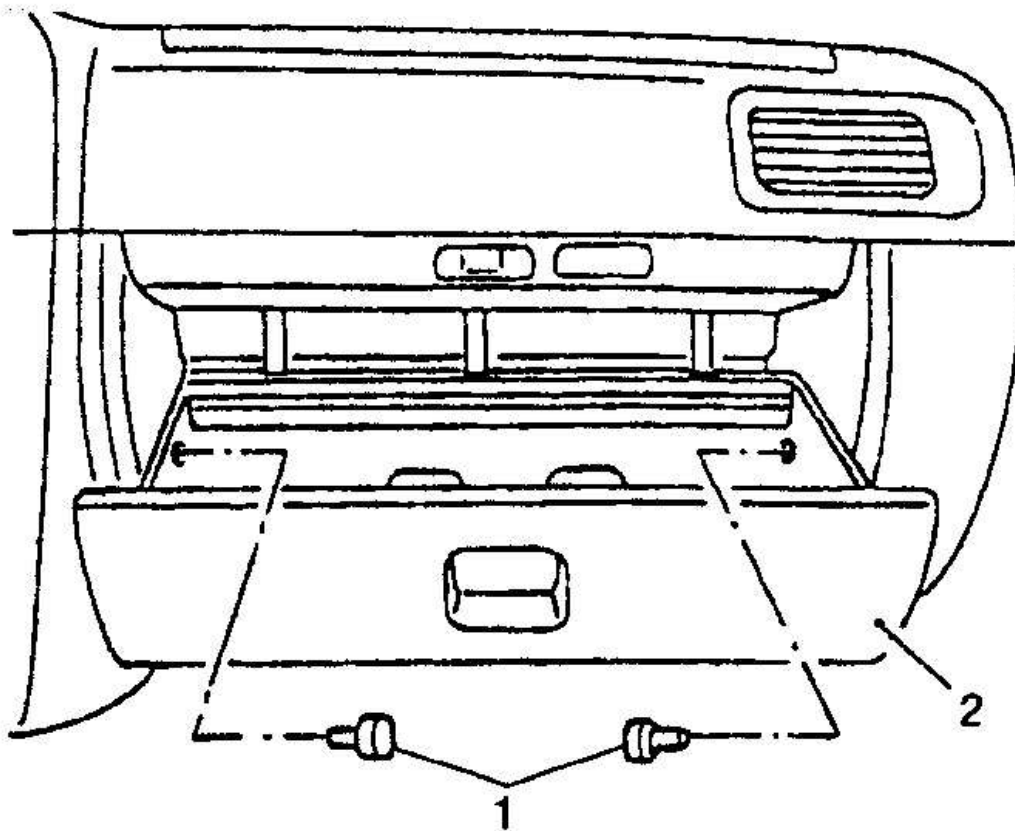


## CABIN AIR FILTER

### Removal & Installation (2002-2004)

1. Remove the 2 glove box pivot pins. Remove the glove box. See **Fig. 1**.

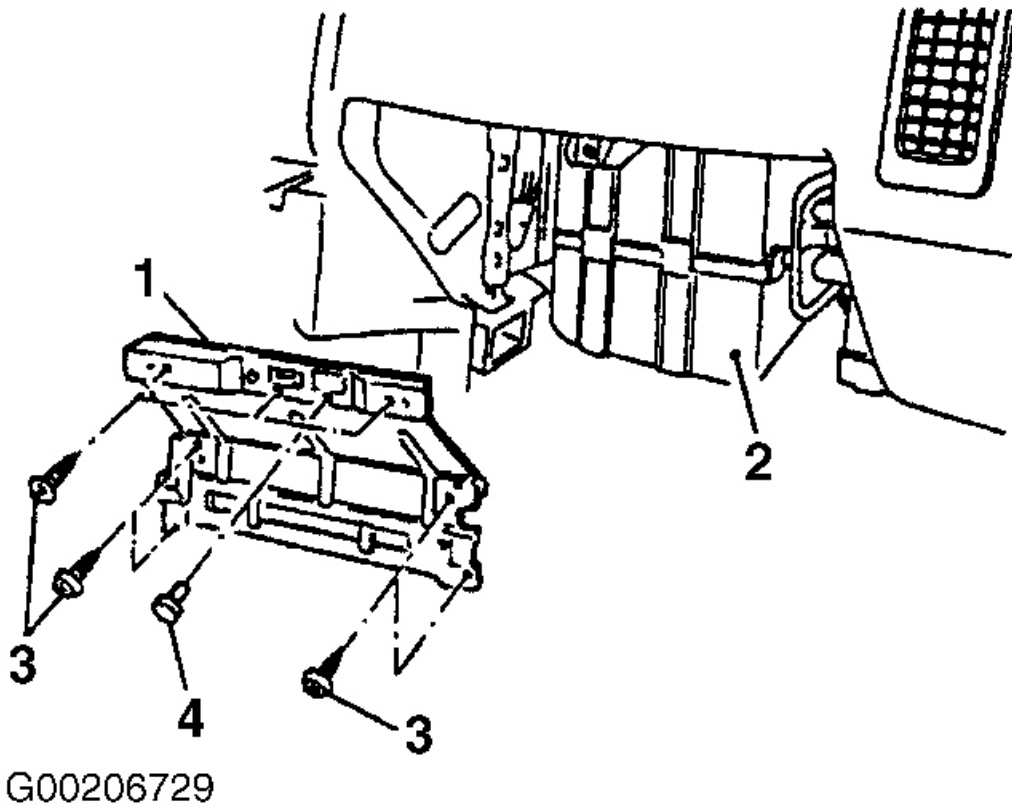


G00214559

#### **Fig. 1: Removing Glove Box Pins**

Courtesy of NISSAN MOTOR CO., U.S.A.

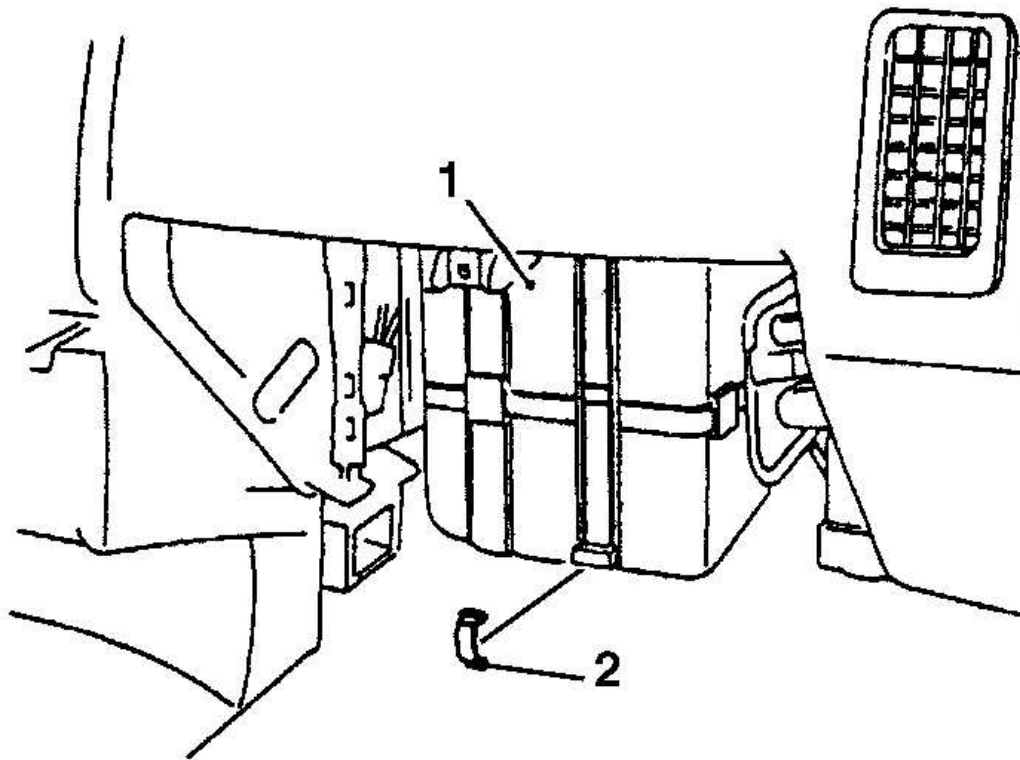
2. Remove move the 7 screws and 1 clip from the glove box frame. See **Fig. 2**. Remove the glove box frame.



**Fig. 2: Removing Glove Box Frame**

Courtesy of NISSAN MOTOR CO., U.S.A.

3. Remove the clip securing the filters in the intake unit. See [Fig. 3](#).

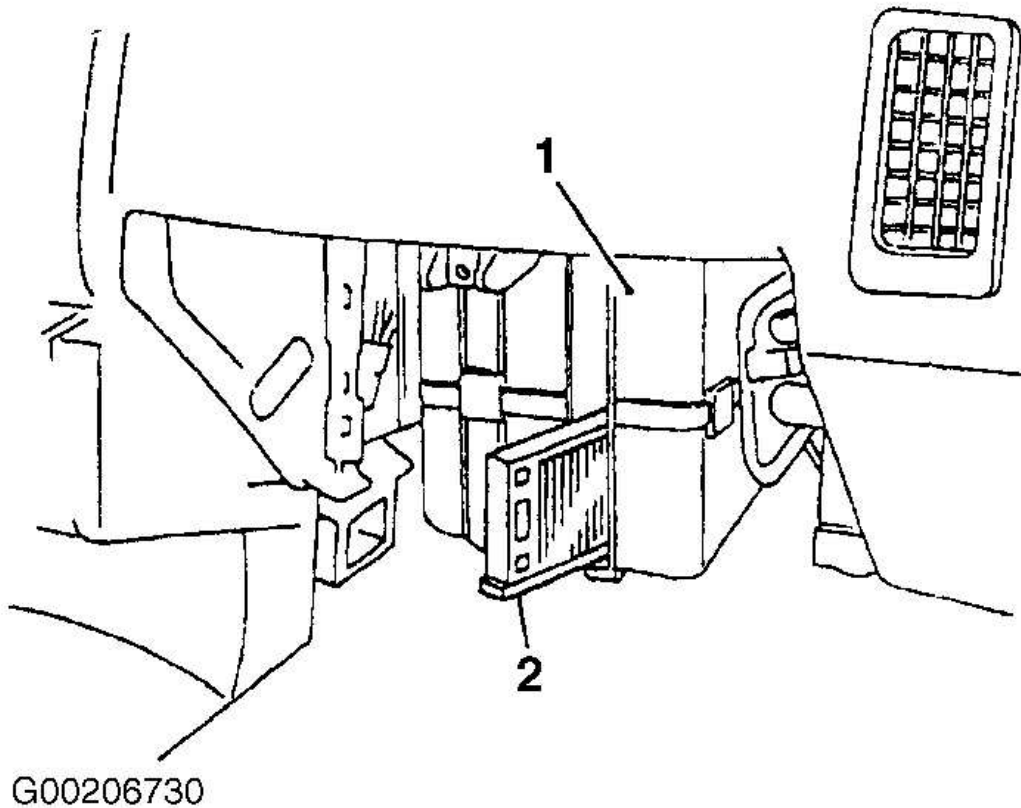


G00206732

**Fig. 3: Removing Filter Clip**

Courtesy of NISSAN MOTOR CO., U.S.A.

4. Remove the in-cabin microfilters. See **Fig. 4** .



**Fig. 4: Removing In-Cabin Microfilters**  
Courtesy of NISSAN MOTOR CO., U.S.A.

**NOTE:** The filters must be aligned with the plastic hook at the bottom.

5. Insert the first filter in the bottom position. Slide it up to the top position and insert the second filter in the bottom position.
6. Secure the filter with the clip. Install the glove box frame. Install the glove box.