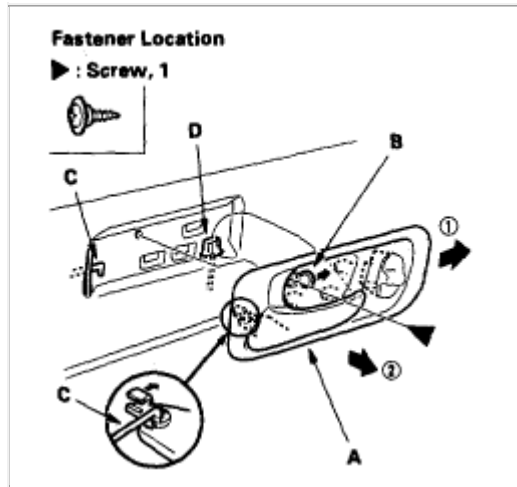


Front Door Panel Removal/Installation

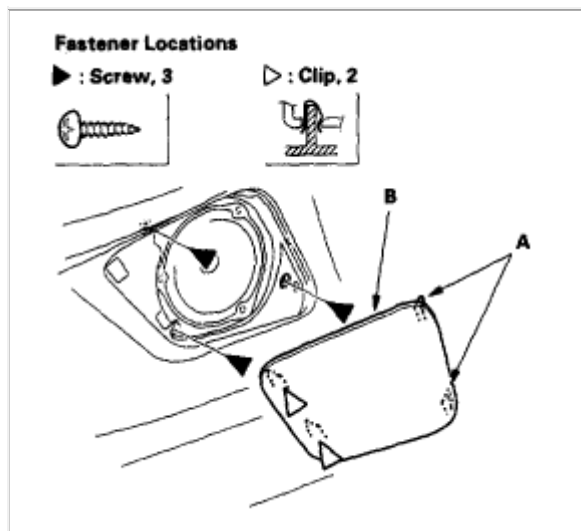
Special Tools Required

Trim pad remover, Snap-on A177A, or equivalent, commercially available.

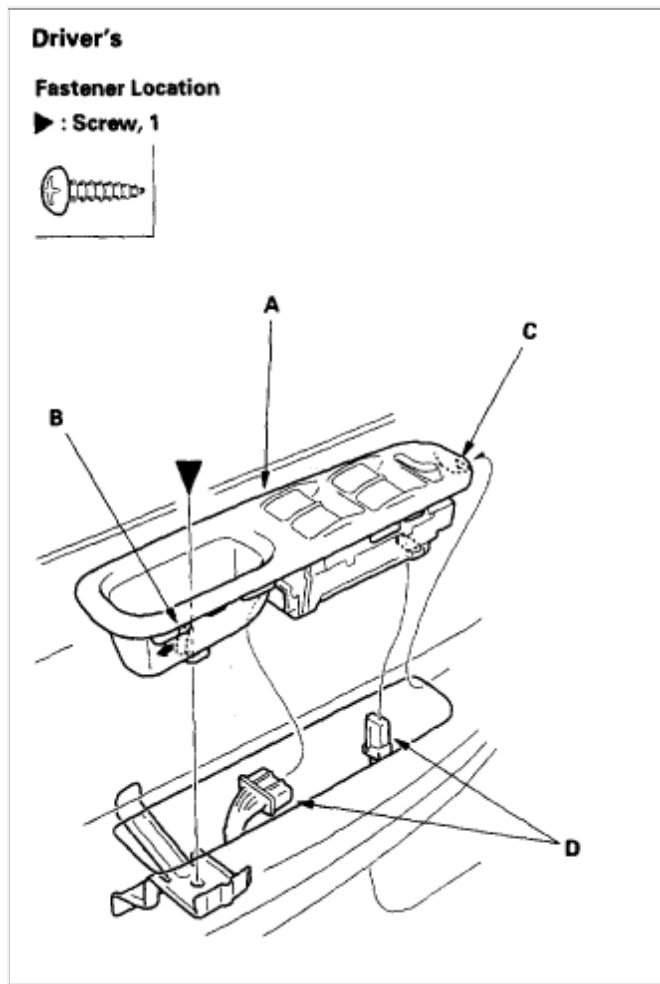
1. Remove the mirror mount cover, power mirror, manual mirror. Take care not to scratch the door panel.



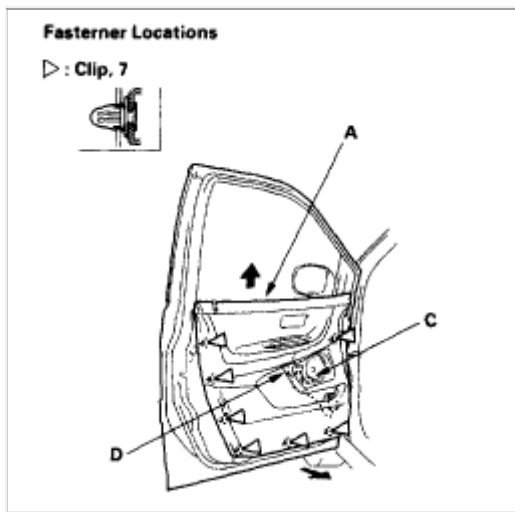
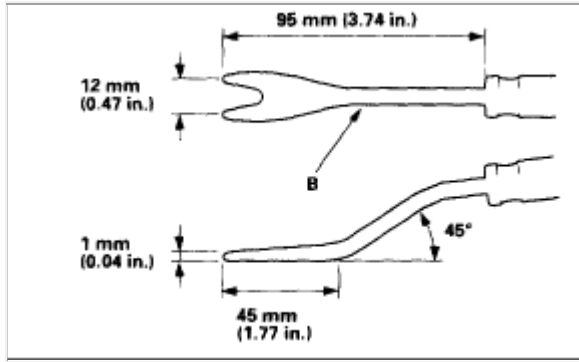
2. Remove the inner handle (A). Take care not to scratch the door panel.
1. Pry out the cap (B), and remove the screw.
 2. Pull the inner handle forward and out half-way.
 3. Disconnect the inner handle rod (C) and [power door lock switch](#) connector (D) (for some models).



-
3. Detach the clips and hooks (A), then remove the speaker grille (B). Remove the screws.



-
4. Remove the pull pocket panel (A). Take care not to scratch the door panel.
 1. Pry out the cap (B), and remove the screw.
 2. Release the hook (C), and disconnect the power window switch connectors (D).



5. Release the clips that hold the door panel (A) with a commercially available trim pad remover (B), then remove the door panel by pulling it upward. Disconnect the speaker connector (C).

For '02-04 models: If equipped with a [seat heater](#), disconnect the [seat heater switch](#) subharness connector (D).

Remove the door panel with as little bending as possible to avoid creasing or breaking it.

6. Install the door panel in the reverse order of removal, and note these items:
 - Replace any damaged clips.
 - Push the clips into place securely.
 - Make sure the connectors are plugged in properly, and the inner handle rod

is connected properly.

- For '03-04 models: Reset the power window control unit.
- Check the window and power door lock operations.
- For '02-04 models: If equipped with a [seat heaters](#), check for proper operation.