

Service and Repair

Wheel Hub and Bearing

Part 1



204-310

Front hub carrier support
204-310



Hub flange remover
204-116-03



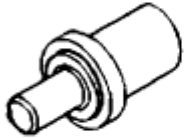
204-262

Bearing remover
204-262



204-309

Hub carrier support
204-309



204-313

Bearing support
204-313



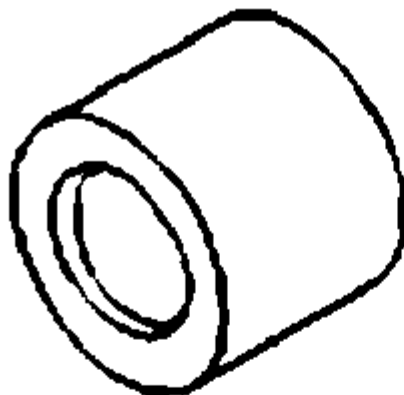
204-312

Bearing guide
204-312

Zoom

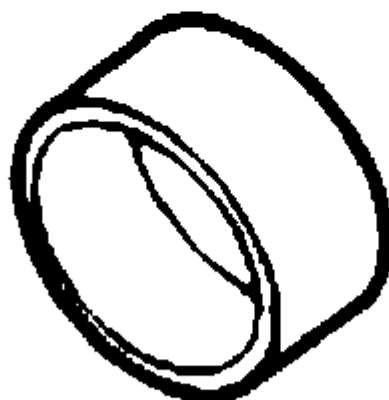
Sized for Print

Part 2



204-311

**Bearing installer
204-311**



501-063

**Bearing receiver
501-063**

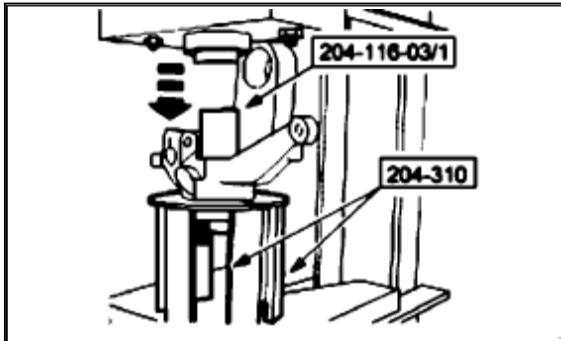
Zoom

Sized for Print

Special Service Tools

Removal

1. Remove wheel knuckle.

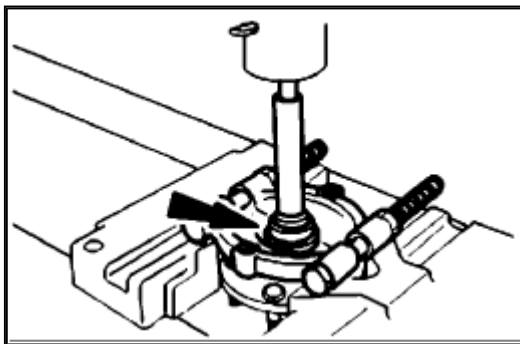


Zoom

Sized for Print

2. **NOTE:** When removing the [wheel hub](#) from the wheel knuckle the bearing will be destroyed and the bearing inner ring will remain on the wheel hub.

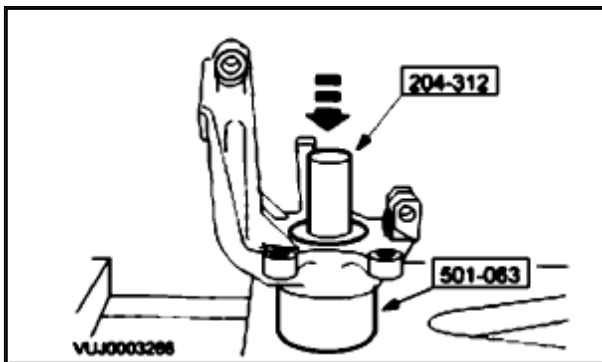
Using special tools, remove the [wheel hub](#).



Zoom

Sized for Print

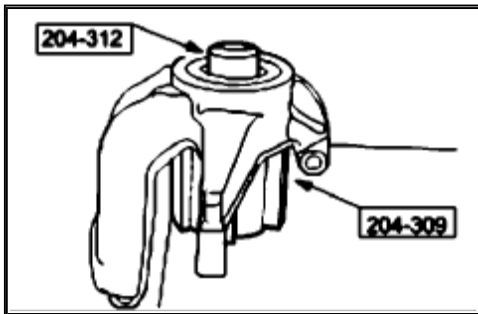
3. Using a suitable tool, remove the bearing inner ring.



[Zoom](#)[Sized for Print](#)

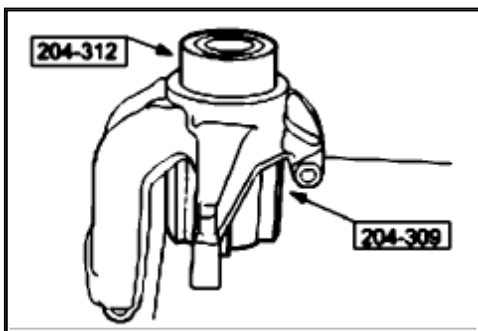
- Using special tools, remove the wheel bearing.

Installation

[Zoom](#)[Sized for Print](#)

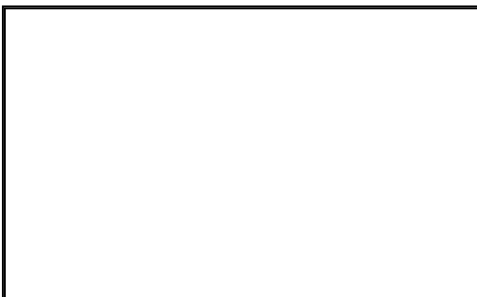
- NOTE:** Insert special tool 204-312 in to 204-309.

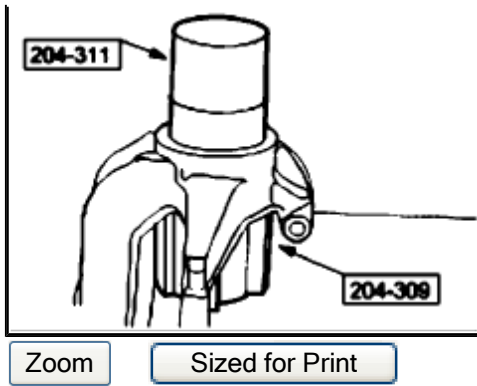
Support the wheel knuckle on special tools.

[Zoom](#)[Sized for Print](#)

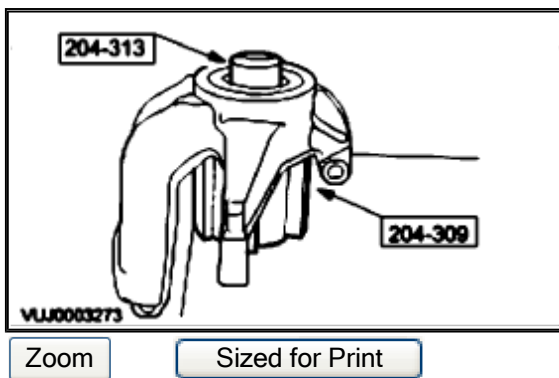
- CAUTION:** Make sure wheel bearing is correctly orientated with the colored side facing inboard.

Align the bearing over special tool.



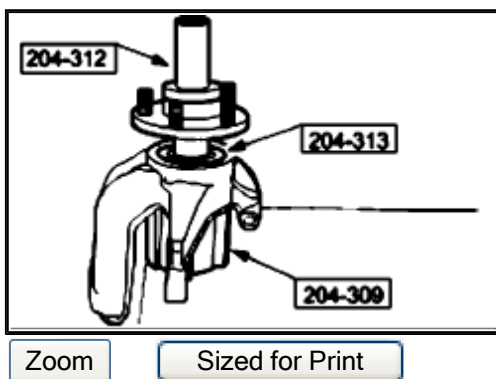


3. Using special tools, press bearing into wheel knuckle.



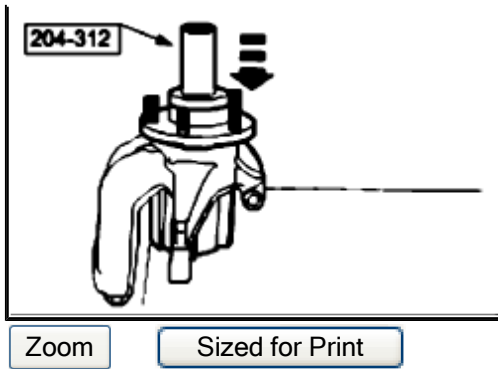
4. **NOTE:** Change special tool 204-312 to 204-313.

Align the bearing and wheel knuckle over special tool.



5. Slide [wheel hub](#) over the guide and align to the bearing.





6. Using special tools install the [wheel hub](#).
7. Install the wheel knuckle.