

Parking Brake Shoes

Service Repair No - 70.40.09

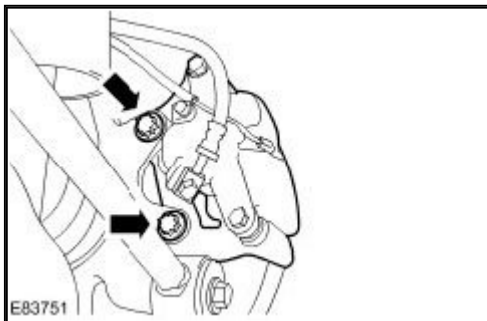
Removal

NOTE: If the parking brake shoes or the brake discs have been removed for access to other components then DO NOT carry out the bedding in procedure.

1. Using the Land Rover approved diagnostic system, drive the parking brake to the mounting position.
2. Isolate the parking brake electrical circuit.
 - Remove fuse number 8 from the BJB.
3. **WARNING: Do not work on or under a vehicle supported only by a jack. Always support the vehicle on safety stands.**

Raise and support the vehicle.

4. Remove the wheels and tires.
5. Release the [brake caliper](#).
 - Remove the [brake caliper](#) anchor bolts.



Zoom

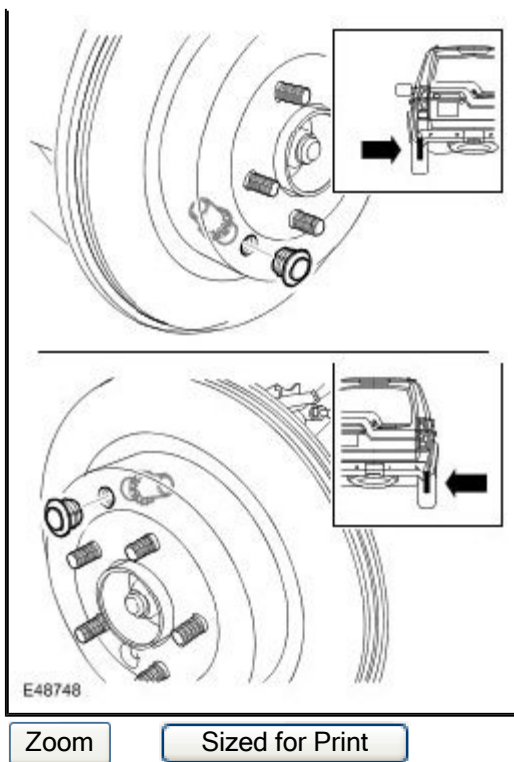
Sized for Print

6. **CAUTION: Do not allow the [brake caliper](#) to hang on the brake hose.**

Tie the [brake caliper](#) aside.

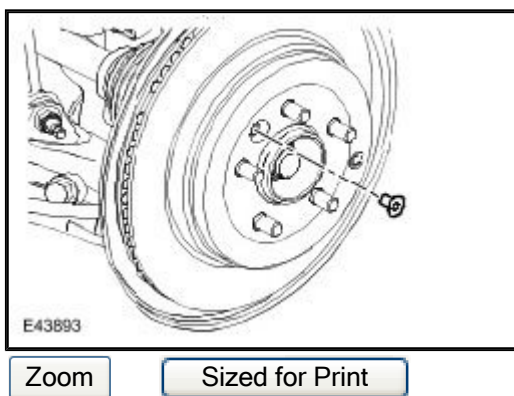
7. Release the park brake shoe adjustment.
 - Remove the plug from the access hole in the brake disc.
 - Using a suitable tool, rotate the brake shoe adjuster to release the adjustment.





8. Remove the brake disc.

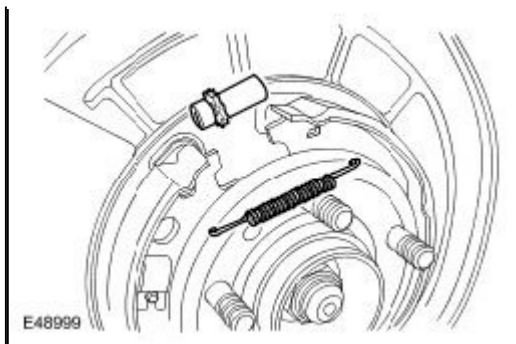
- Remove the Torx screw.



9. Remove the adjuster and return spring.

- Release the parking brake shoe adjuster to the minimum adjustment.



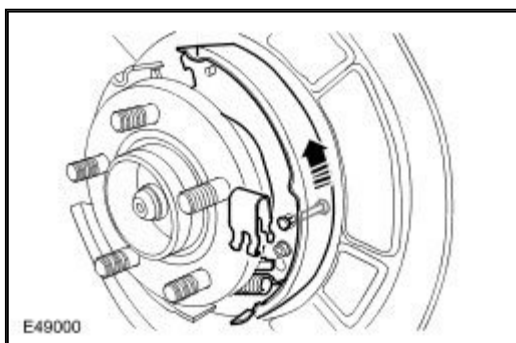


Zoom

Sized for Print

10. Remove the primary brake shoe.

- Remove the hold-down spring and retaining pin.
- Pivot the shoe to release it from the spreader plate and return spring.

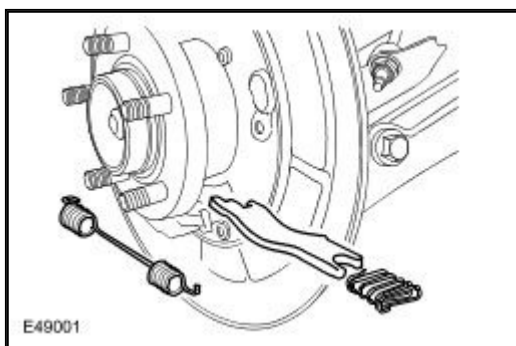


Zoom

Sized for Print

11. Remove the spreader plate and spring.

12. Remove the return spring.

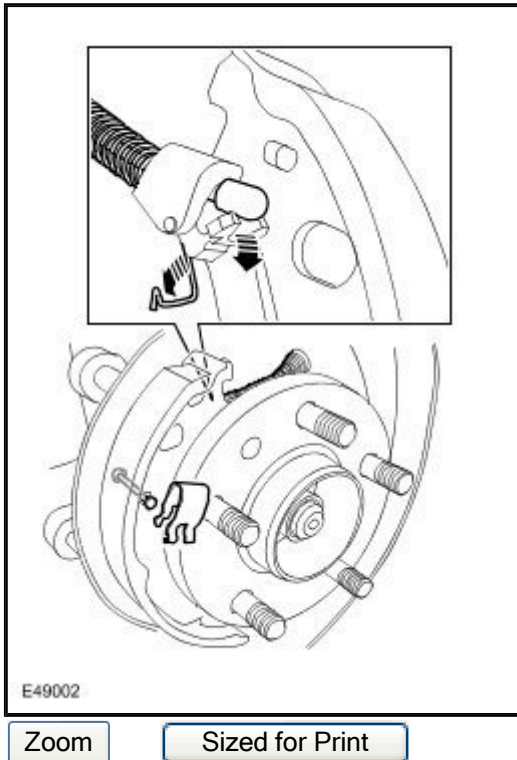


Zoom

Sized for Print

13. Remove the secondary brake shoe.

- Remove the hold-down spring and retaining pin.
- Disconnect the [parking brake cable](#) retaining spring from the brake shoe lever.
- Release the [parking brake cable](#).



14. Repeat the above procedure for the other side.

Installation

1. **WARNING: Do not use compressed air to clean brake components. Dust from friction materials can be harmful if inhaled.**

Clean the backing plate and apply grease to the brake shoe contacts.

2. Clean the adjuster and set it to its minimum extension.
3. **CAUTION: Make sure the brake shoe spring is not over stretched.**

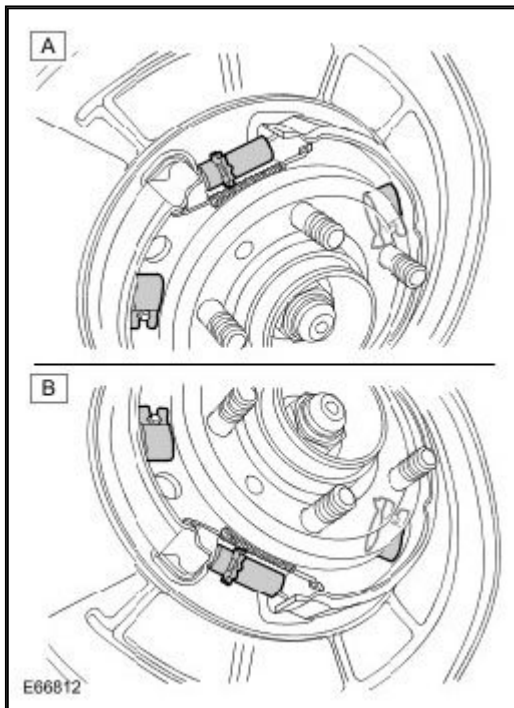
CAUTION: Make sure the closed end of the retaining clip is installed facing the brake shoe adjuster. Failure to follow this instruction may result in damage to the vehicle.

CAUTION: Illustration 'A' is the LH side and 'B' is the RH side.

Install the secondary brake shoe.

- Connect the [parking brake cable](#).

- Connect the [parking brake cable](#) retaining spring to the brake shoe lever, making sure the spring is not twisted.
- Install the hold-down spring and retaining pin.



Zoom

Sized for Print

4. Install the spreader plate and the spring.
 - Using a tie strap, tie back the spreader plate spring.
5. **WARNING: Make sure the return spring and the adjuster spring are correctly installed to the primary shoe.**

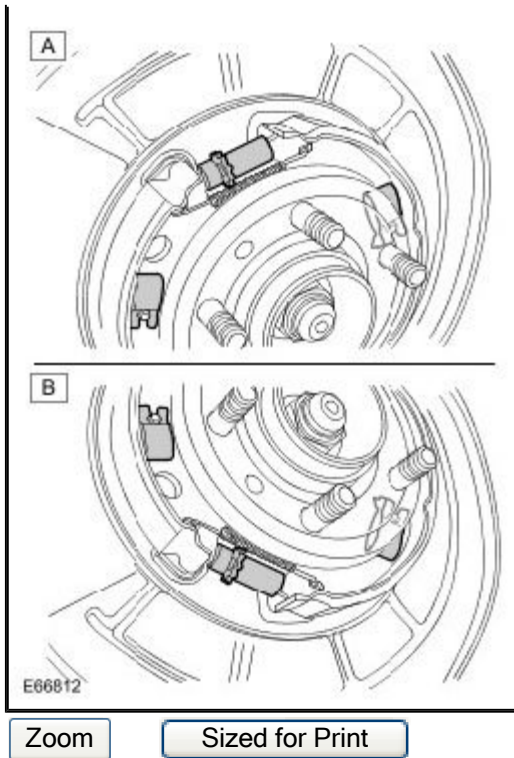
CAUTION: Make sure the brake shoe spring is not over stretched.

CAUTION: Make sure the closed end of the retaining clip is installed facing the brake shoe adjuster. Failure to follow this instruction may result in damage to the vehicle.

CAUTION: Illustration 'A' is the LH side and 'B' is the RH side.

Install the primary brake shoe.

- Install the return spring.
- Connect the primary brake shoe to the return spring.
- Locate the primary brake shoe to the spreader plate.
- Install the hold-down spring and retaining pin.



6. **CAUTION: Make sure the brake shoe spring is not over stretched.**

Install the brake shoe adjuster and the retaining spring.

7. Remove and discard the spreader plate spring tie strap.
8. Make sure the brake disc and hub mating surfaces are clean.
9. Install the brake disc.

- Tighten the Torx screw to **35 Nm (26 ft. lbs.)** .

10. Install the [brake caliper](#).

- Tighten the bolts to **115 Nm (85 ft. lbs.)** .

11. Repeat the above procedure for the other side.
12. Adjust the parking brake.
13. Install the wheels and tires.

- Tighten the wheel nuts to **140 Nm (103 ft. lbs.)** .

14. Install fuse number 8 into the BJB.