

Glove Box Removal/Installation

Special Tools Required

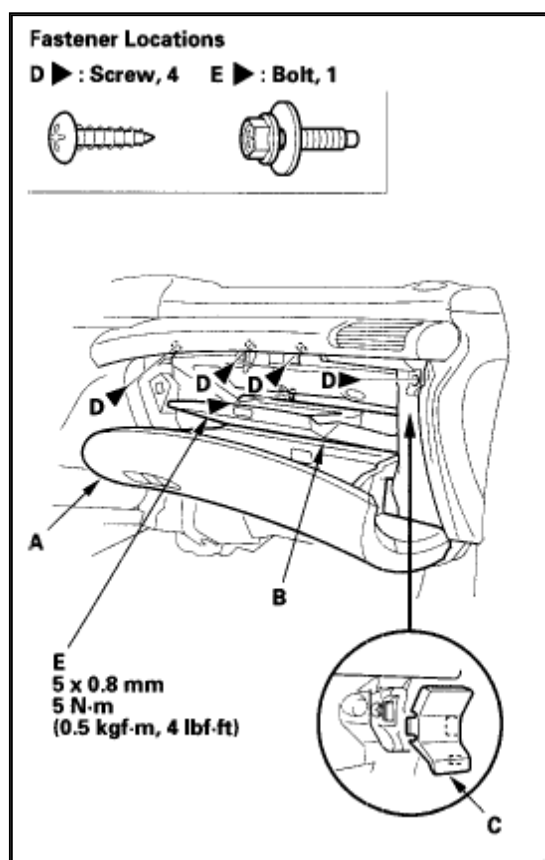
KTC trim tool set SOJATP2014 *

* Available through the American Honda Tool and Equipment Program

SRS components are located in this area. Review the SRS component locations and the precautions and procedures before doing repairs or service.

NOTE:

- Use the appropriate tool from the KTC trim tool set to avoid damage when prying components.
 - Take care not to scratch the dashboard and related parts.
1. Remove the passenger's undercover.

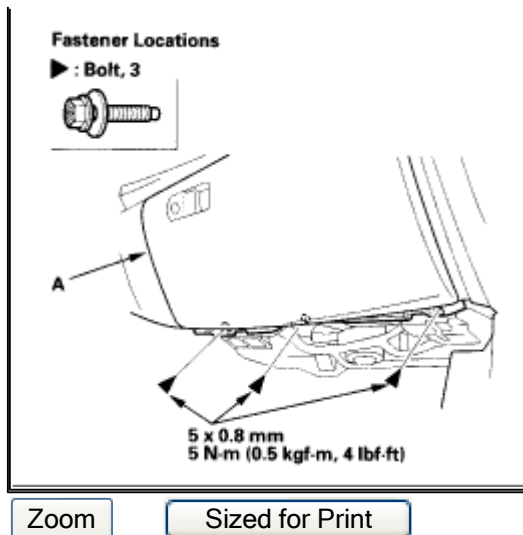


Zoom

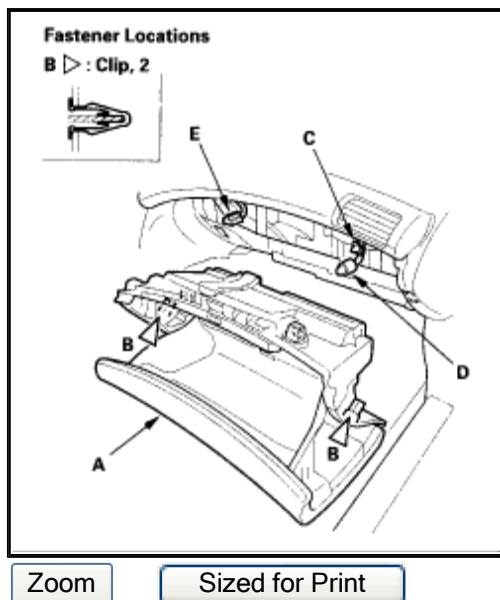
Sized for Print

2. Open the glove box (A) and document tray (B). Remove the lid (C), then remove the screws (D) and bolt (E).





3. Close the glove box (A), then remove the bolts.
 4. Remove the glove box (A).
1. Pull out the glove box, then remove the clips (B).
 2. Remove the harness clip (C) and the ambient light bulb socket (D).



3. Disconnect the trunk lid opener main switch connector (E).
5. Install the box in the reverse order of removal, and note these items:
 - Check if the clips are damaged or stress-whitened, and if necessary, replace them with new ones.
 - Push the clips into place securely.
 - Make sure the connector is plugged in properly, and the bulb socket is connected securely.

- Take care not to scratch the passenger's front [console](#) cover.