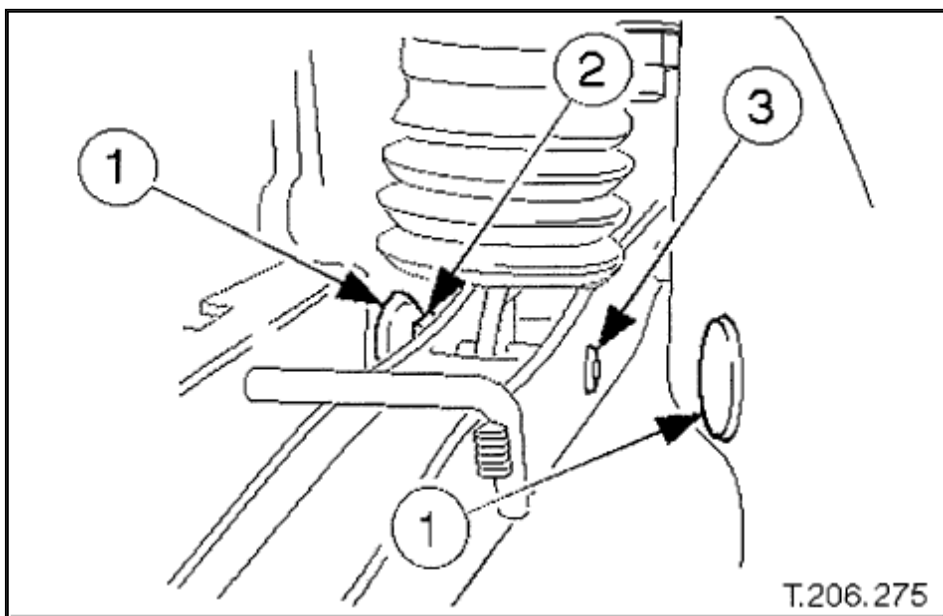


Brake Booster and Master Cylinder Assembly

Removal

CAUTION:

- Replacement of nuts and bolts: Various thread-locking devices are used on nuts and bolts throughout the vehicle. These devices restrict the number of times a nut or bolt can be used.
 - Remove [brake fluid](#) spillage immediately from paint work, with clean water.
1. Position vehicle on a four-post lift.
 2. Move driver's seat fully rearward.
 3. Open engine compartment and fit paint work protection covers to fenders.
 4. Disconnect battery ground cable.
 5. Remove engine compartment rear cover.
 6. Remove pedal housing, brake booster and master cylinder assembly.
 7. Remove reservoir filler cap and pour residual [brake fluid](#) into a container. Refit cap.

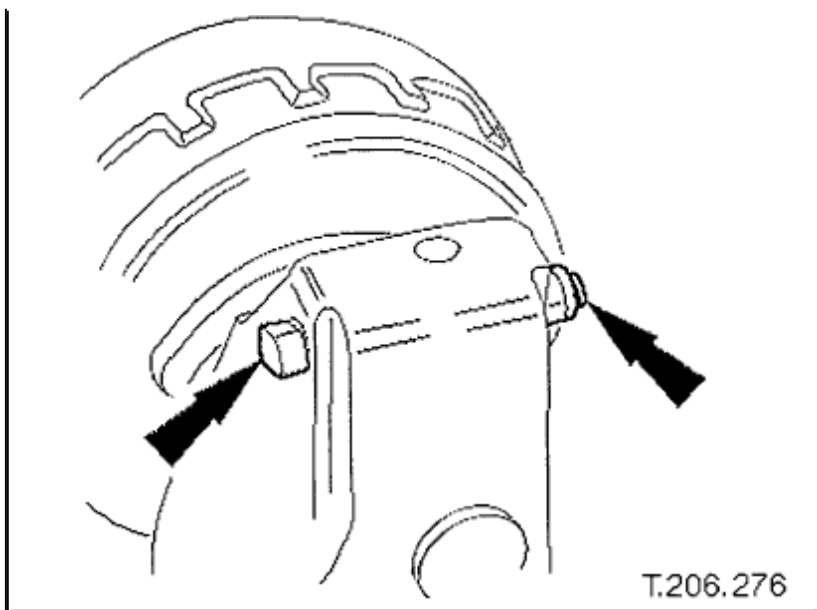


Zoom

Sized for Print

8. Remove the clevis pin connecting the brake pedal to the master cylinder push-rod fork. Remove grommets from access holes. Remove retaining clip. Remove clevis pin.

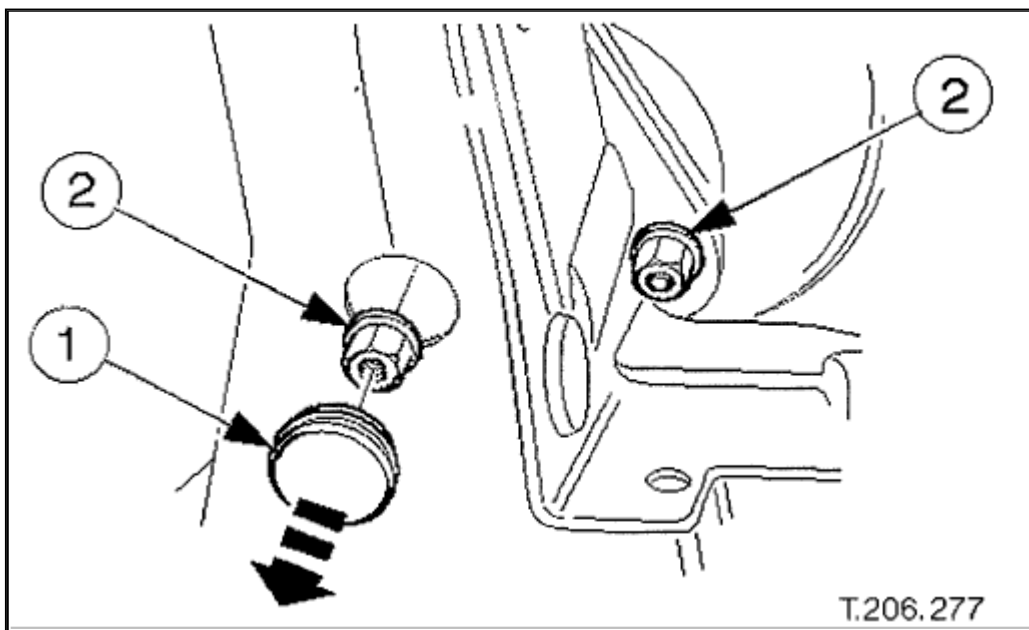




Zoom

Sized for Print

9. Reposition the brake pedal to access the nuts securing the brake booster to the pedal housing. Remove pivot pin nut. Remove pivot pin. Reposition brake pedal.

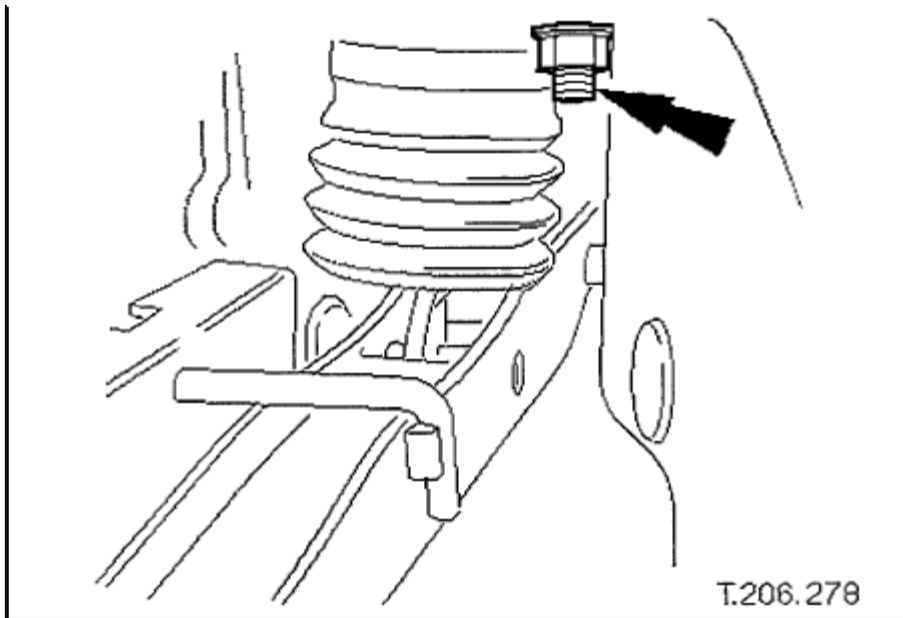


Zoom

Sized for Print

10. Remove brake booster from pedal housing. Remove grommet from access hole. Remove nuts.

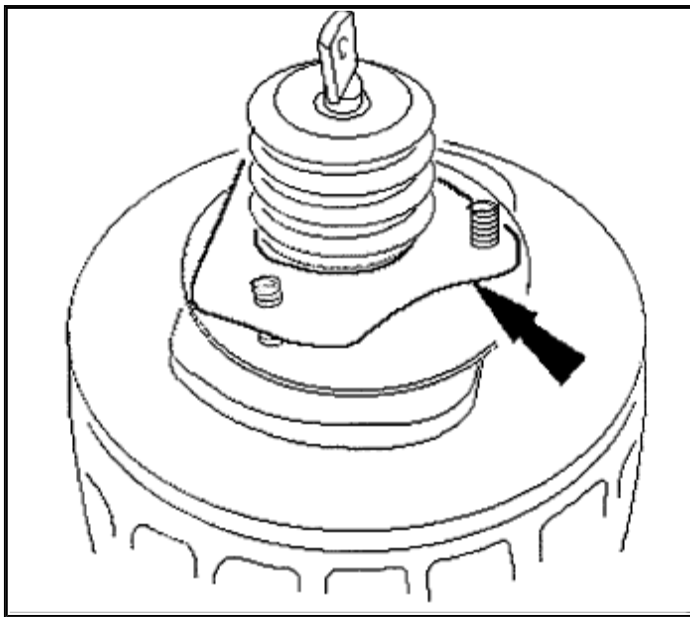




Zoom

Sized for Print

11. Remove brake booster from pedal housing. Remove nut. Remove brake booster from pedal housing. Remove brake pedal from pedal housing.

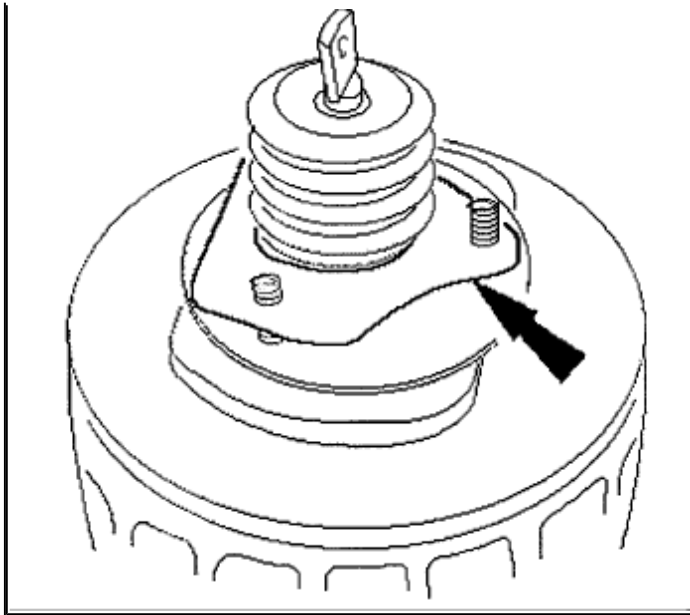


Zoom

Sized for Print

12. Remove and discard gasket from brake booster.
13. Clean components and mating surfaces.

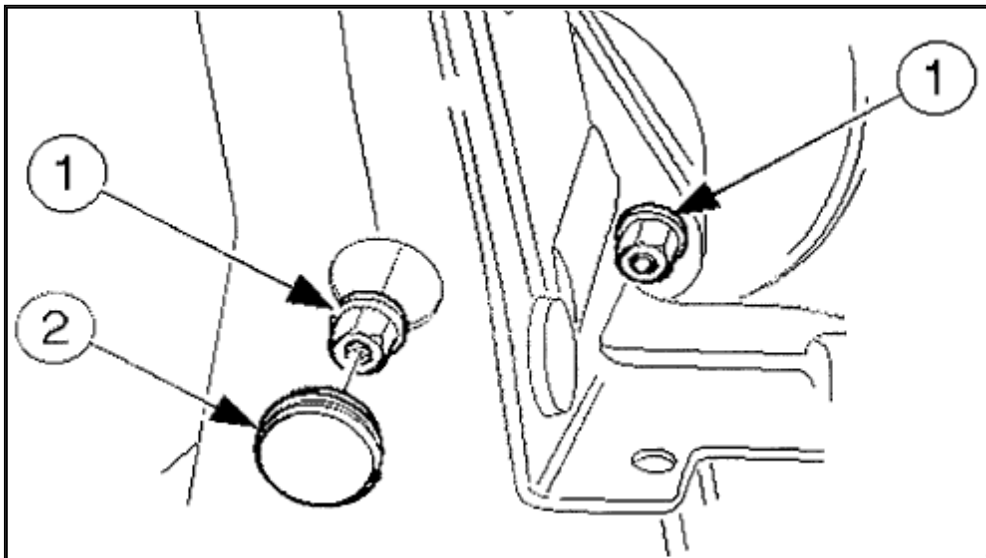
Installation



Zoom

Sized for Print

1. Install gasket to brake booster.
2. Position brake pedal into pedal housing. Apply grease to push-rod fork. Apply grease to brake pedal pivots. Position brake pedal.



Zoom

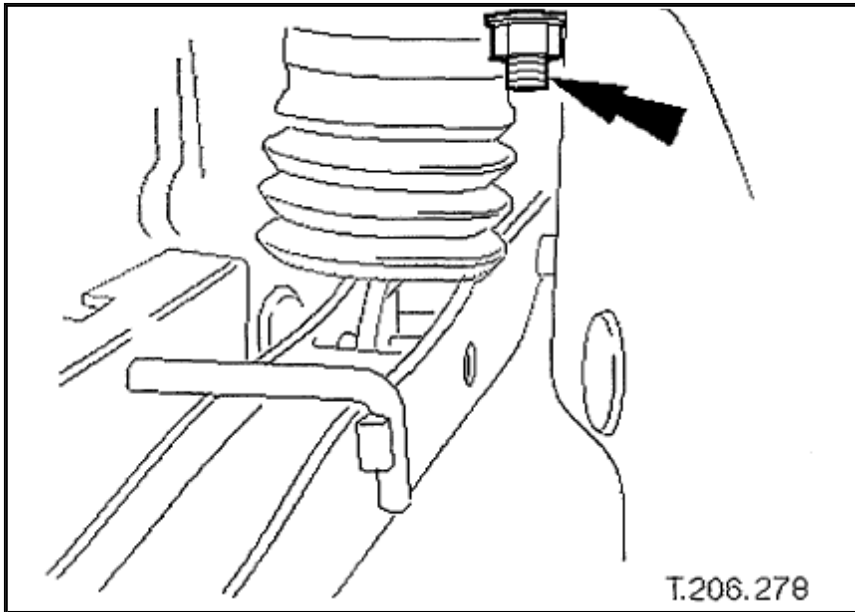
Sized for Print

3. Install brake pedal housing to brake booster.

When installing brake booster, make sure push-rod locates inside brake pedal shaft.

Install and tighten nuts to **22 - 28 Nm**.

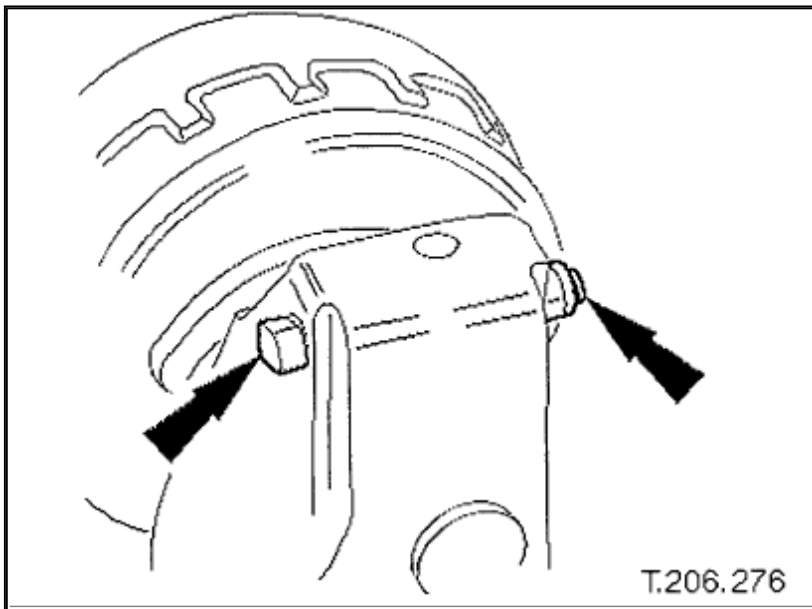
Install grommet.



Zoom

Sized for Print

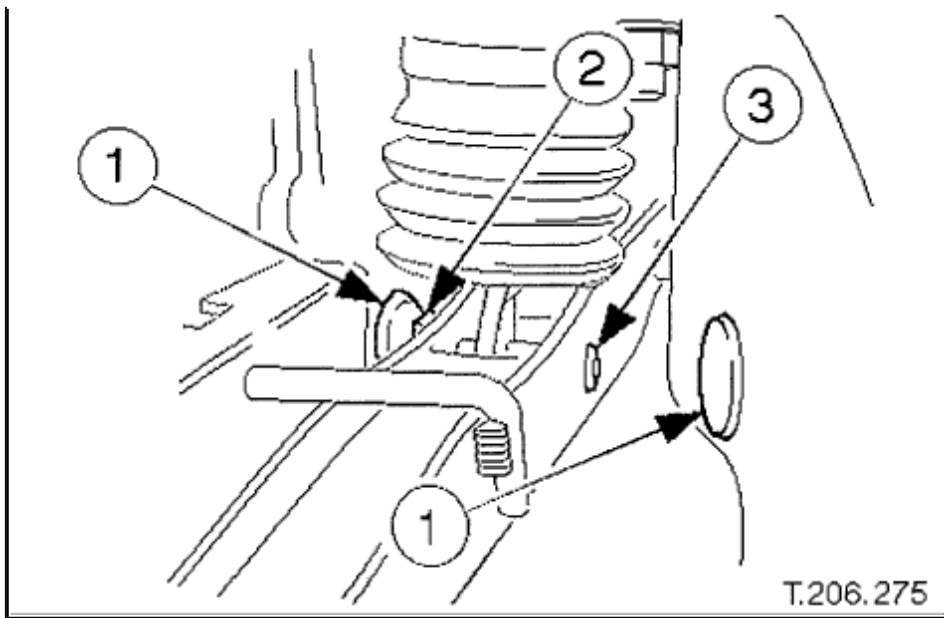
4. Install final securing nut. Tighten nut to **22 - 28 Nm**.



Zoom

Sized for Print

5. Install brake pedal to pedal housing. Install pivot pin. Install nut and tighten to **17 - 23 Nm**.



Zoom

Sized for Print

6. Install clevis pin connecting the brake pedal to the master cylinder push-rod fork. Apply grease to the clevis pin. Install clevis pin. Install retaining clip. Install grommets.
7. Install pedal housing, brake booster and master cylinder assembly.
8. Install engine compartment rear cover.
9. Reconnect battery ground cable.
10. Bleed brake system.
11. Remove paint-work protection covers and close engine compartment.