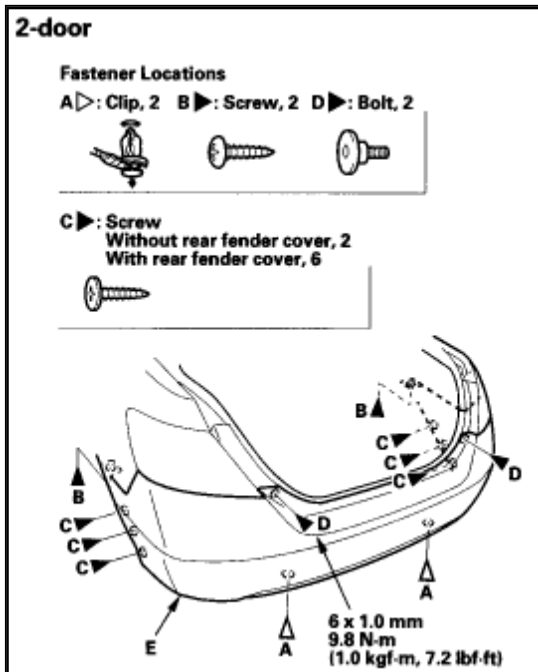


Rear [Bumper](#) Removal/Installation

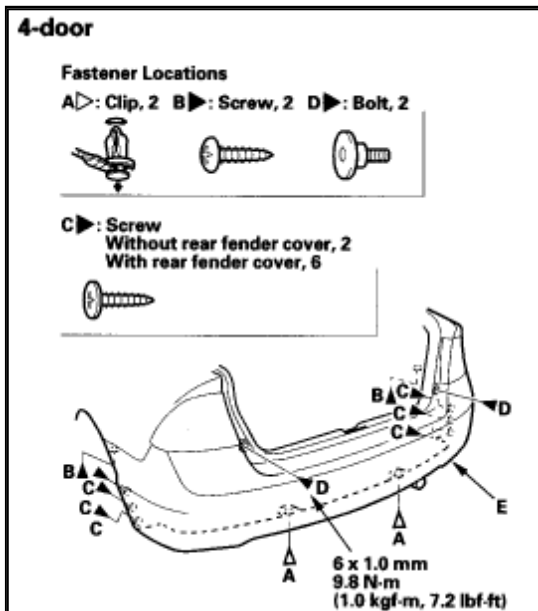
NOTE:

- Have an assistant help you when removing and installing the rear [bumper](#).
 - Take care not to scratch the rear [bumper](#) and body.
 - Put on gloves to protect your hands.
1. Remove the clips (A), screws (B, C), and bolts (D) securing the rear [bumper](#) (E).



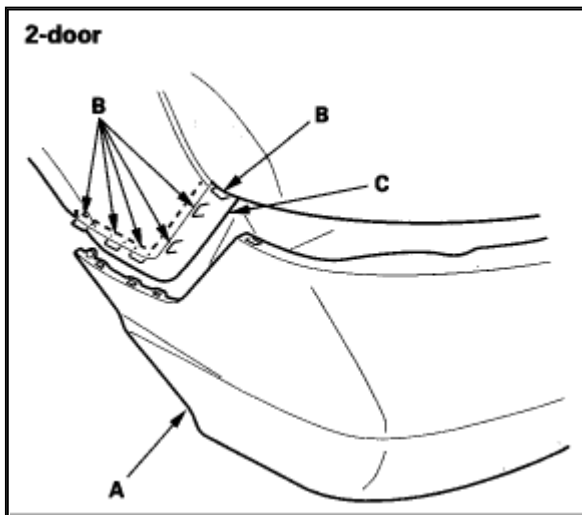
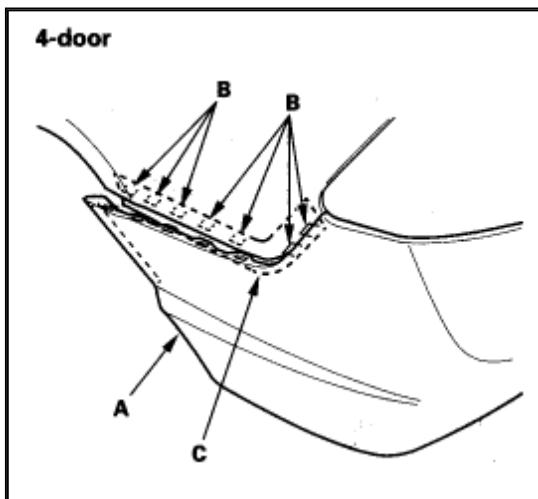
Zoom

Sized for Print



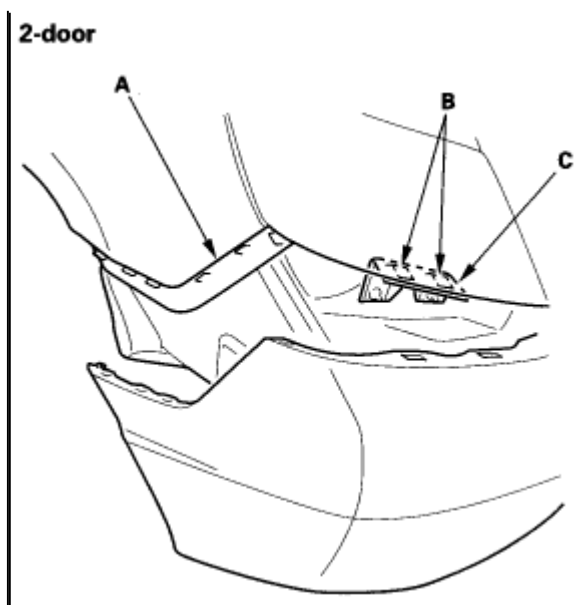
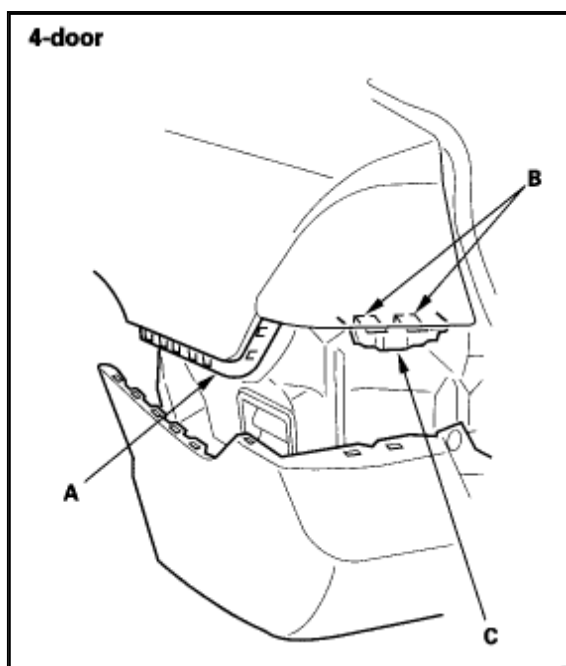
[Zoom](#)[Sized for Print](#)

2. Pull on the rear bumper (A) at the wheel arch areas to release it from the hooks (B) on the side spacers (C).

[Zoom](#)[Sized for Print](#)[Zoom](#)[Sized for Print](#)

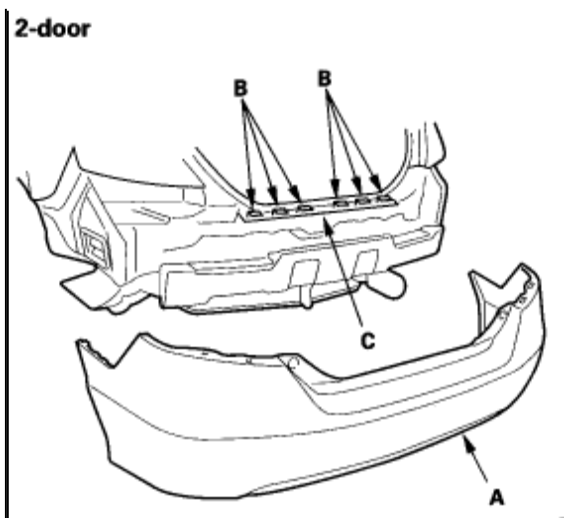
3. With the help of an assistant, while pulling the wheel arch portion away from the side spacer (A), pull the rear bumper to release the bumper from the hooks (B) on the side bracket (C).



[Zoom](#)[Sized for Print](#)[Zoom](#)[Sized for Print](#)

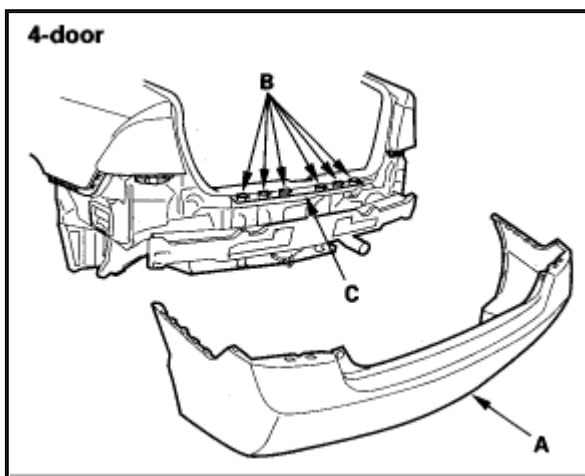
4. With the help of an assistant, pull the rear [bumper](#) to release the bumper (A) from the hooks (B) on the upper bracket (C).





Zoom

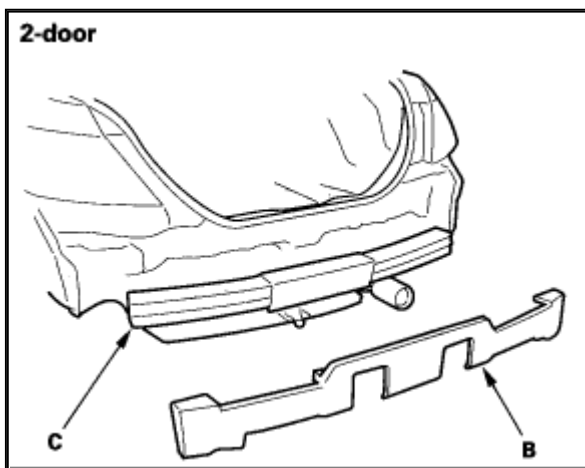
Sized for Print

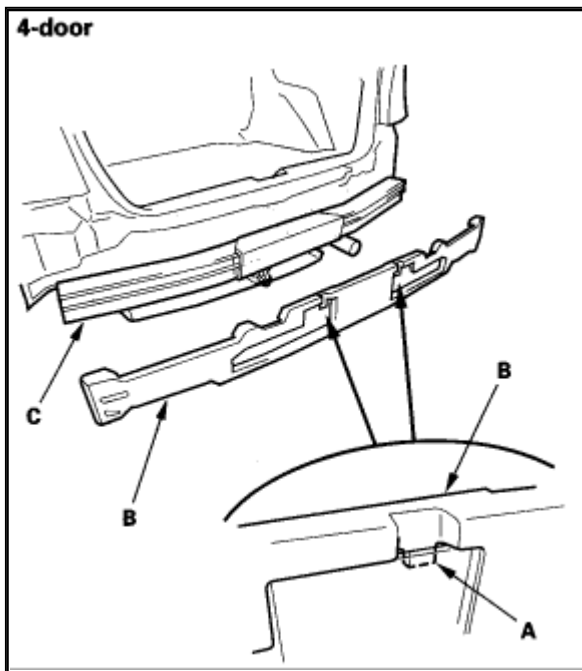


Zoom

Sized for Print

- Remove the hooks (A) (4-door), then remove the rear bumper absorber (B) from the rear bumper beam (C).



[Zoom](#)[Sized for Print](#)[Zoom](#)[Sized for Print](#)

6. Install the [bumper](#) in the reverse order of removal, and note these items:
- Make sure the rear [bumper](#) engages the hooks (of both the side bracket and side spacers) on each side securely.
 - Check if the clips are damaged or stress-whitened, and if necessary, replace them with new ones.
 - Push the clips and hooks into place securely.