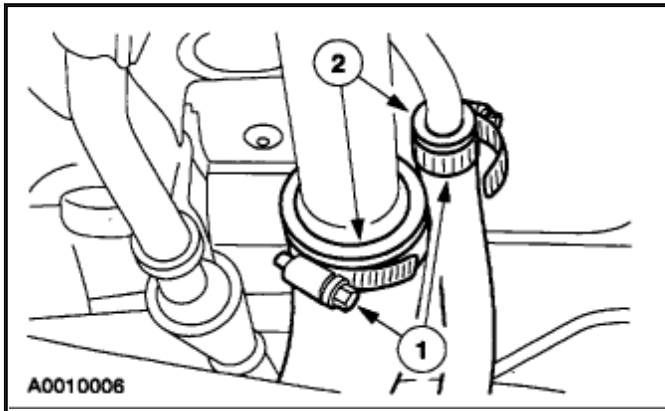


REMOVAL

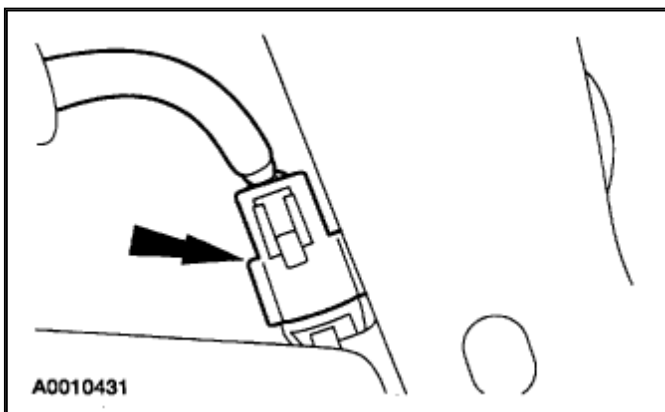
1. Disconnect the battery ground cable. For additional information, refer to Battery.
2. Relieve the [fuel pressure](#).
3. Drain the fuel tank.
4. Raise and support the [vehicle](#). For additional information, refer to Maintenance/Service and Repair.



Zoom

Sized for Print

5. Remove the fuel tank filler pipe hoses.
- 1 Loosen the hose clamps.
 - 2 Disconnect the hoses from the filler pipes.

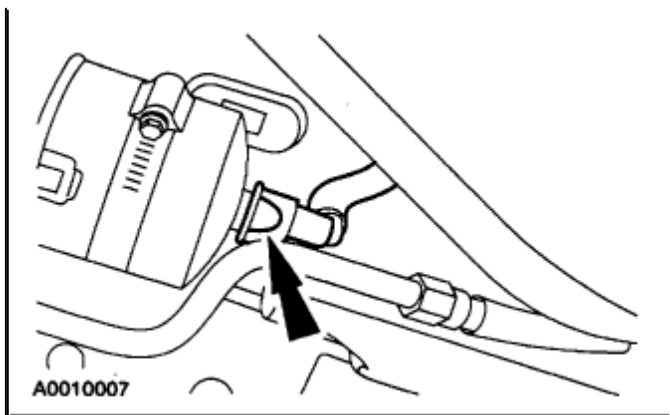


Zoom

Sized for Print

6. Disconnect the [fuel pump](#) electrical connector.

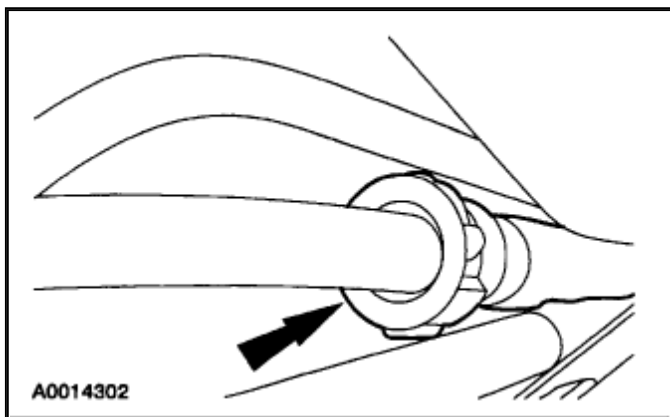




Zoom

Sized for Print

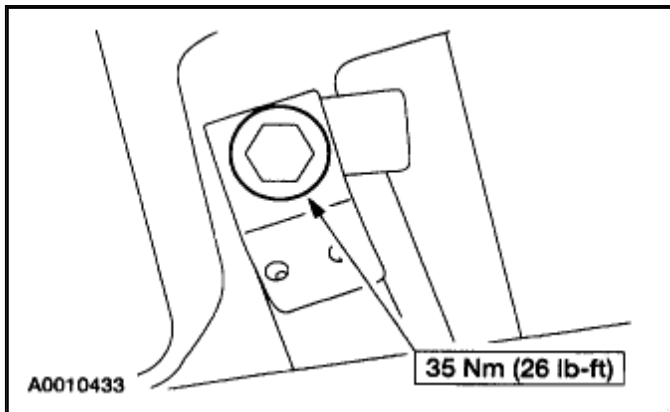
7. Disconnect the [fuel filter](#) inlet line.



Zoom

Sized for Print

- 8. Disconnect the vapor tube fitting.
- 9. Position a safety support under the fuel tank.



Zoom

Sized for Print

10. Remove the two fuel tank support strap bolts.
11. Partially lower the fuel tank while swinging the fuel tank support straps away from the fuel tank. Position the straps aside and lower the fuel tank.

INSTALLATION

1. To install, reverse the removal procedure.