

**Bumper and Bumper Cover****Front—Town Car****Removal**

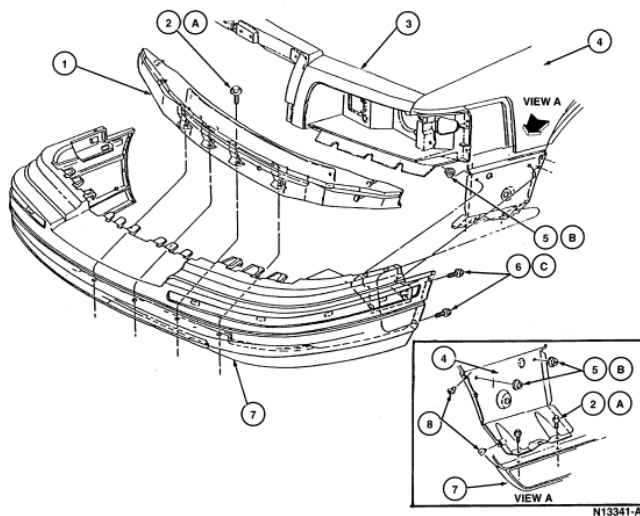
1. **CAUTION:** Never apply heat to the front bumper isolator and bracket (17754). Heat could cause the material inside the front bumper isolator and bracket to expand and flow out of the front bumper isolator and bracket or crack the metal housing. Always remove the front bumper isolator and bracket before making body frame service near them.

Remove four screws and washers across bottom of front bumper cover (17D957). Remove two screws (each side) from bottom of front bumper cover at front fenders (16005) and three screws in each wheel opening.

2. Remove two nuts (each side), retaining end of front bumper cover to front fender.
3. Remove front bumper cover from vehicle.
4. Remove two nuts at each front bumper isolator and bracket and remove front bumper (17757).

**Installation**

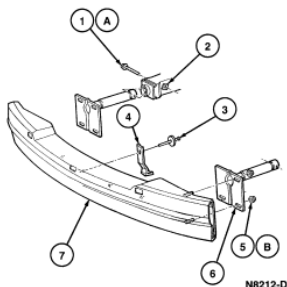
1. Position front bumper to front bumper isolator and bracket.
2. Install two nuts at each front bumper isolator and bracket. Tighten to 34-46 Nm (25-33 lb-ft).
3. Position front bumper cover over front bumper and align front bumper cover ends at front fenders.
4. Start screws retaining front bumper cover to front fenders.
5. Tighten screws to 1.2-1.8 Nm (10-16 lb-in).
6. Install two nuts (each side) retaining front bumper cover to front fenders.
7. After checking front bumper cover alignment, tighten nuts at front fenders to 9-12 Nm (80-106 lb-in).
8. Tighten screws along bottom of front bumper cover to 1.4-2.2 Nm (12-20 lb-in).

**Front Bumper Cover—Town Car**

Item	Part Number	Description
1	17757	Front Bumper
2	N808720-S307	Screw and Washer (4 Req'd)
3	8190	Radiator Grille Opening Panel
4	16005	Front Fender
5	N621926-S36	Nut (2 Req'd Each Side)
6	56913-S301	Screw (2 Req'd Each Side) (For Light-Colored Vehicles)
	56913-S100	Screw (2 Req'd Each Side) (For Dark-Colored Vehicles)
7	17D957	Front Bumper Cover

8	N804765-S	Insert Nut (2 Req'd Each Side)
A	—	Tighten to 1.4-2.2 Nm (12-20 Lb-In)
B	—	Tighten to 9-12 Nm (80-106 Lb-In)
C	—	Tighten to 1.2-1.8 Nm (10-16 Lb-In)

#### Front Bumper—Town Car



Item	Part Number	Description
1	N606084-S36	Bolt (1 Req'd Each Side)
2	N800325-S301	Nut (1 Req'd Each Side)
3	N806830-S100	Rivet (4 Req'd)
4	17C947	Front Bumper Cover Support
5	N621942-S301	Nut (2 Req'd Each Side)
6	17754	Front Bumper Isolator and Bracket
7	17757	Front Bumper
A	—	Tighten to 68-92 Nm (51-67 Lb-Ft)
B	—	Tighten to 34-46 Nm (25-33 Lb-Ft)

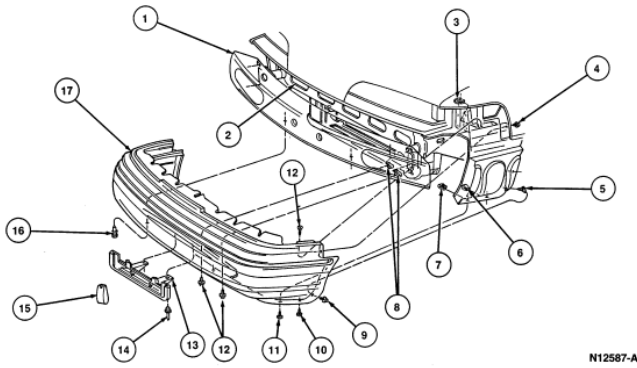
#### Front—Crown Victoria, Grand Marquis

##### Removal and Installation

- Remove side marker lamps.
- Remove two retaining screws and remove parking lamps (13200) from front bumper cover (Grand Marquis only).
- Remove two retaining screw and washer assemblies at upper outboard end of front bumper cover.
- Remove two retaining screw and washer assemblies at the outboard vertical surface of front bumper cover to front fender.
- Remove six retaining screws at wheel opening flange from front bumper cover to front fender.
- Remove two retaining screws and washer assemblies attaching front bumper cover and front fender at lower surface.
- Remove four retaining screws and washer assemblies attaching front bumper cover and radiator support (16138) at lower surface.
- Drill out two rivets at top of grille opening attaching front bumper and front bumper cover.
- Remove front license plate mounting bracket (17A385) (if equipped), drill out rivets and transfer front license plate mounting bracket if replacing front bumper cover.
- CAUTION:** Pulling forward on front bumper cover without pushing up to release tabs may cause grille opening to crack.

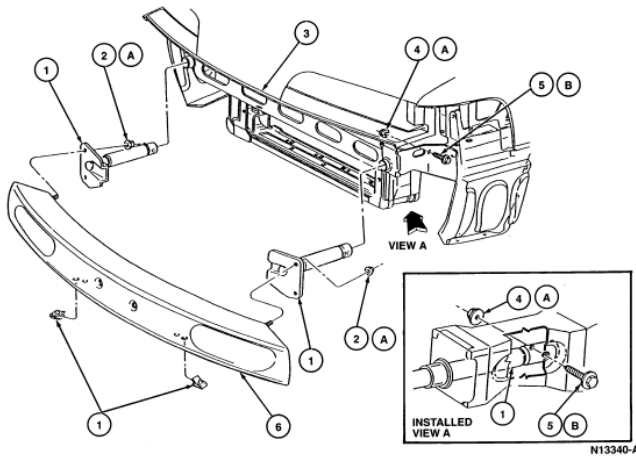
Disengage retention tabs on front bumper cover surface from radiator grille opening panel reinforcement (8A284), push up on tabs and pull front bumper cover forward.
- Remove four nuts retaining front bumper to front bumper isolator and bracket.
- To install, reverse Removal procedure. Tighten front bumper to front bumper isolator and bracket retaining nuts to 21-28 Nm (16-20 lb-ft). Tighten front bumper cover-to-inner fender and front bumper cover-to-radiator support screws to 5-8 Nm (45-70 lb-in).

#### Front Bumper Cover—Crown Victoria, Grand Marquis



Item	Part Number	Description
1	17757	Front Bumper
2	16138	Radiator Support
3	N623342-S100	U-Nut (1 Req'd Each Side)
4	N807260-S36	Screw (Grand Marquis) (1 Req'd Each Side)
5	N804765-S	Insert Nut (3 Req'd Each Side)
6	N800854-S100	U-Nut (Grand Marquis)
7	N800854-S100	U-Nut (Crown Victoria)
8	N800854-S100	U-Nut (2 Req'd Each Side)
9	56911-S55	Screw (3 Req'd Each Side)
10	N807260-S36	Screw (Grand Marquis) (1 Req'd Each Side)
11	N807260-S36	Screw (Crown Victoria) (1 Req'd Each Side)
12	N807260-S36	Screw (2 Req'd Each Side)
13	17A385	Front License Plate Mounting Bracket
14	N806830-S100	Rivet (2 Req'd Each Side)
15	17A386	Front License Plate Mounting Bracket
16	N807807-S43	Pushpin (1 Req'd Each Side)
17	17757	Front Bumper

Front Bumper and Attaching Parts—Crown Victoria, Grand Marquis



Item	Part Number	Description
1	17754	Front Bumper Isolator and Bracket
2	N811020-S301	Nut (2 Req'd Each Side)
3	5005	Frame
4	N800169-S101	Nut (1 Req'd Each Side)
5	N606084-S7	Bolt (1 Req'd Each Side)
6	17757	Front Bumper
7	N800925-S301	U-Nut (1 Req'd Each Side, Grand Marquis Only)
A	—	Tighten to 21-28 Nm (16-20 Lb-Ft)
B	—	Tighten to 87-118 Nm (65-87 Lb-Ft)

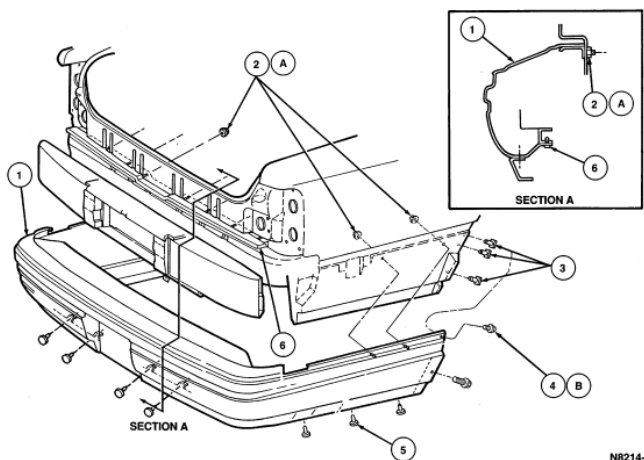
Rear—Town Car

Removal

- CAUTION:** When collecting exhaust fumes in service area, never attach a metal collector to the exhaust tail pipe because the heat could damage the bumper.

Remove four pushpins along bottom of rear bumper cover (17K835) at tabs on rear bumper (17906).

Rear Bumper Cover—Town Car

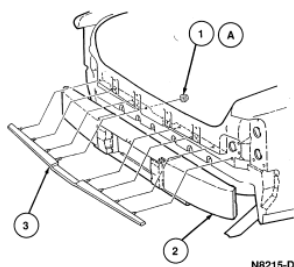


N8214-D

Item	Part Number	Description
1	17K835	Rear Bumper Cover
2	N621926-S36	Nut and Washer (12 Req'd)
3	N804765-S	Nut (3 Req'd Each Side)
4	56912-S55	Screw (3 Req'd Each Side)
5	388930-S	Pushpin (3 Req'd Each Side)
6	17D942	Rear Bumper Cover Mounting Reinforcement
A	—	Tighten to 9-12 Nm (80-106 Lb-In)
B	—	Tighten to 1.1-1.5 Nm (10-13 Lb-In)

- Remove three pushpins (each side) retaining rear bumper cover to rear lower edge of quarter panel.
- Through luggage compartment, remove two nuts (each side) located at end of quarter panel. Also loosen (but do not remove) eight nuts that retain the rear bumper cover mounting reinforcement (17D942) to the lower back panel.
- Remove license plate lamps from rear bumper cover.
- Remove three screws (each side) retaining rear bumper cover to quarter panel.
- Slightly twist rear bumper cover to release it from forward edge of rear bumper and remove.
- Through luggage compartment opening, remove eight nut and washer and seal assemblies and remove rear bumper cover mounting reinforcement.

Bumper Cover Reinforcement

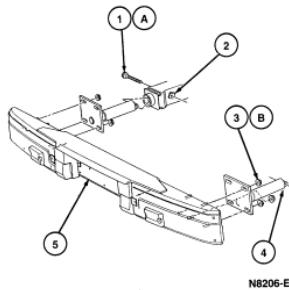


N8215-D

Item	Part Number	Description
1	N621926-S36	Nut, Washer and Seal (8 Req'd)
2	17906	Rear Bumper
3	17D942	Rear Bumper Cover Mounting Reinforcement
A	—	Tighten to 9-12 Nm (80-106 Lb-In)

8. Remove three nuts at each rear bumper isolator and bracket (17787) retaining rear bumper.
9. Remove rear bumper.

#### Rear Bumper—Town Car



Item	Part Number	Description
1	N606084-S301	Bolt
2	N800325-S301	Nut
3	N621942-S301	Nut and Washer Assy (4 Req'd Each Side)
4	17787	Rear Bumper Isolator and Bracket
5	17906	Rear Bumper Assy
A	—	Tighten to 68-92 Nm (50-67 Lb-Ft)
B	—	Tighten to 34-46 Nm (25-33 Lb-Ft)

#### Installation

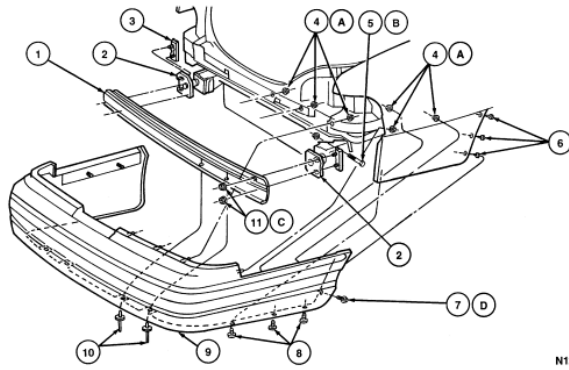
1. Position rear bumper to rear bumper isolator and bracket and install three nuts on each side. Tighten to 34-46 Nm (25-33 lb-ft).
2. Through luggage compartment opening, install eight nuts retaining rear bumper cover mounting reinforcement and tighten to 8-12 Nm (71-106 lb-in). Do not tighten nuts until after bumper cover is installed.
3. Position rear bumper cover on rear bumper and rear bumper cover mounting reinforcement. Install license plate lamps (13550).
4. Install retaining screws at wheel openings and tighten to 1.1-1.5 Nm (10-13 lb-in).
5. Install two nuts each side, retaining rear bumper cover at end of quarter panel (through luggage compartment). Tighten to 9-12 Nm (80-106 lb-in). Also tighten the eight nuts retaining the rear bumper cover mounting reinforcement to the lower back panel to 9-12 Nm (80-106 lb-in).
6. Install three pushpins (each side) at lower quarter panel edge.
7. Install four pushpins to rear bumper cover at retaining tabs of rear bumper.

#### Rear—Crown Victoria, Grand Marquis

##### Removal and Installation

1. Remove six retaining screws from rear bumper cover to wheel opening flange.
2. Remove six pushpins retaining bottom of rear bumper cover to quarter panel and four rivets retaining bottom of rear bumper cover to rear bumper.
3. From inside luggage compartment, remove 12 rear bumper cover to body retaining nuts.
4. Remove six nuts retaining rear bumper to rear bumper isolator and bracket.
5. To install, reverse Removal procedure. Tighten rear bumper to rear bumper isolator and bracket retaining nuts to 21-28 Nm (16-20 lb-ft). Tighten bumper cover-to-fender screws to 1-2 Nm (9-17 lb-in). Tighten rear bumper cover-to-fender nuts to 5-8 Nm (45-70 lb-in).

#### Rear Bumper and Bumper Cover—Crown Victoria, Grand Marquis



N12588-B

Item	Part Number	Description
1	17906	Rear Bumper
2	17754	Front Bumper Isolator and Bracket
3	17D755	Rear Bumper Retainer (1 Req'd Each Side)
4	N808823-S36M	Nut and Washer (3 Req'd Each Side)
5	N606084-S7	Bolt (1 Req'd Each Side)
6	N804765-S	Insert Nut (3 Req'd Each Side)
7	56911-S55	Screw (3 Req'd Each Side)
8	388930-S	Push Pin (3 Req'd Each Side)
9	17K835	Rear Bumper Cover
10	N811018-S100	Rivet (2 Req'd Each Side)
11	N621941-S301	Nut and Washer (4 Req'd Each Side)
A	—	Tighten to 5-8 Nm (45-70 Lb-In)
B	—	Tighten to 87-118 Nm (65-87 Lb-Ft)
C	—	Tighten to 21-28 Nm (16-20 Lb-Ft)
D	—	Tighten to 1-2 Nm (9-17 Lb-In)