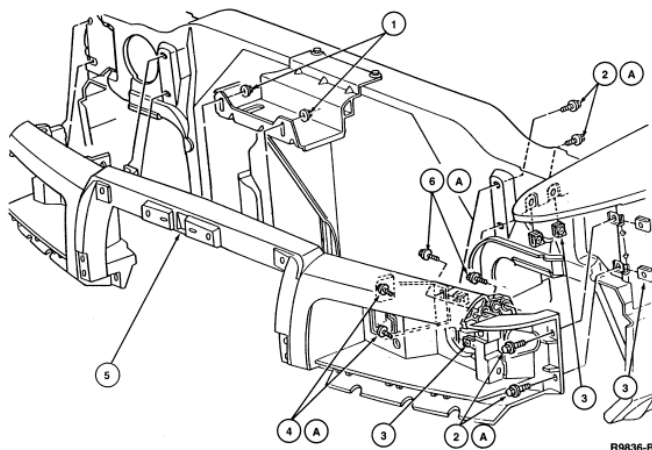


Grille Opening Panel**Town Car****Removal and Installation**

1. Remove front bumper cover (17D957). Refer to [Section 01-19](#).
2. Remove headlamps (13008) and parking lamps (13200). Refer to [Section 17-01](#).
3. Remove [Radiator Grille](#) (8200) as outlined.
4. Remove screws from both sides of radiator support (16138).
5. Remove screws from both sides of radiator grille opening panel (8190) to front fender (16005).
6. Remove nuts from hood latch support (16707).
7. Remove screws from both sides of radiator grille opening panel bracket (8B455).
8. Remove screws retaining both sides of radiator grille opening panel brace (8B057) to radiator grille opening panel.
9. **NOTE: If replacing only radiator grille opening panel, transfer all necessary parts to new radiator grille opening panel.**

To install, reverse Removal procedure. Tighten screws to 5-8 Nm (45-71 lb-in).

Grille Opening Panel—Town Car

Item	Part Number	Description
1	N621905-S36	Nut (2 Req'd)
2	N807316-S36	Screw and Washer
3	N623332-S100	Nut (6 Req'd Each Side)
4	—	Screw and Washer
5	8190	Radiator Grille Opening Panel
6	N606679-S36	Screw and Washer
A	—	Tighten to 5-8 Nm (45-71 Lb-In)

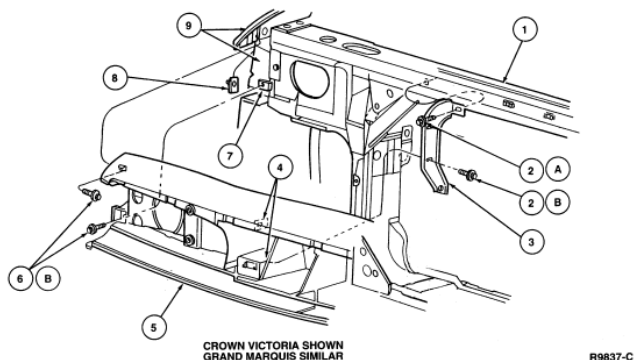
Crown Victoria, Grand Marquis**Removal and Installation**

1. Remove front bumper cover. Refer to [Section 01-19](#).
2. Remove [Radiator Grille](#) as outlined.
3. Remove headlamps and parking lamps. Refer to [Section 17-01](#).
4. Remove screws from both sides of radiator support.
5. Remove screws from both sides of radiator grille opening panel bracket to radiator grille opening panel.

6. Remove screws from both sides of radiator grille opening panel to front fenders.
7. Remove radiator grille opening panel.
8. **NOTE: If replacing only radiator grille opening panel, transfer all necessary parts to new radiator grille opening panel.**

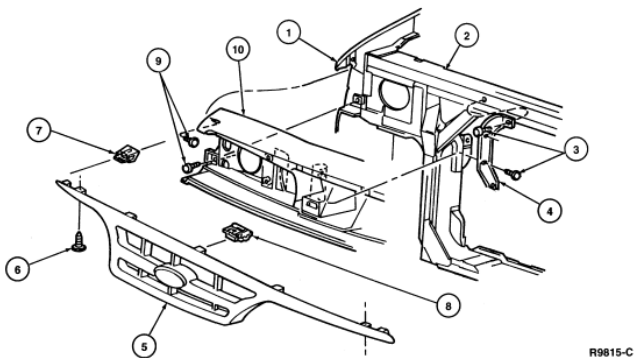
To install, reverse Removal procedure. Tighten screw and washer assemblies to 5-8 Nm (45-71 lb-in).

Grille Opening Panel—Crown Victoria, Grand Marquis



Item	Part Number	Description
1	16138	Radiator Support
2	N807316-S36	Screw
3	8B455	Radiator Grille Opening Panel Bracket
4	N805889-S100	Nut (2 Req'd)
5	8190	Radiator Grille Opening Panel
6	N606678-S55	Screw
7	N623342-S100	Nut (1 Req'd Each Side)
8	N623332-S100	Nut (1 Req'd Each Side)
9	16005	(LH) Front Fender
	16006	(RH) Front Fender
A	—	Tighten to 13-15 Nm (115-133 Lb-In)
B	—	Tighten to 5-8 Nm (45-71 Lb-In)

Front End Components—Crown Victoria Shown, Grand Marquis Similar



Item	Part Number	Description
1	16005	Front Fender
2	16138	Radiator Support
3	N807316-S36	Screw
4	8B455	Radiator Grille Opening Panel Bracket
5	8200	Radiator Grille
6	N800322-S55	Screw
7	N807455-S100	Clip
8	N803748-S100	Clip
9	N606678-S36	Screw

10	8190	Radiator Grille Opening Panel
----	------	-------------------------------
