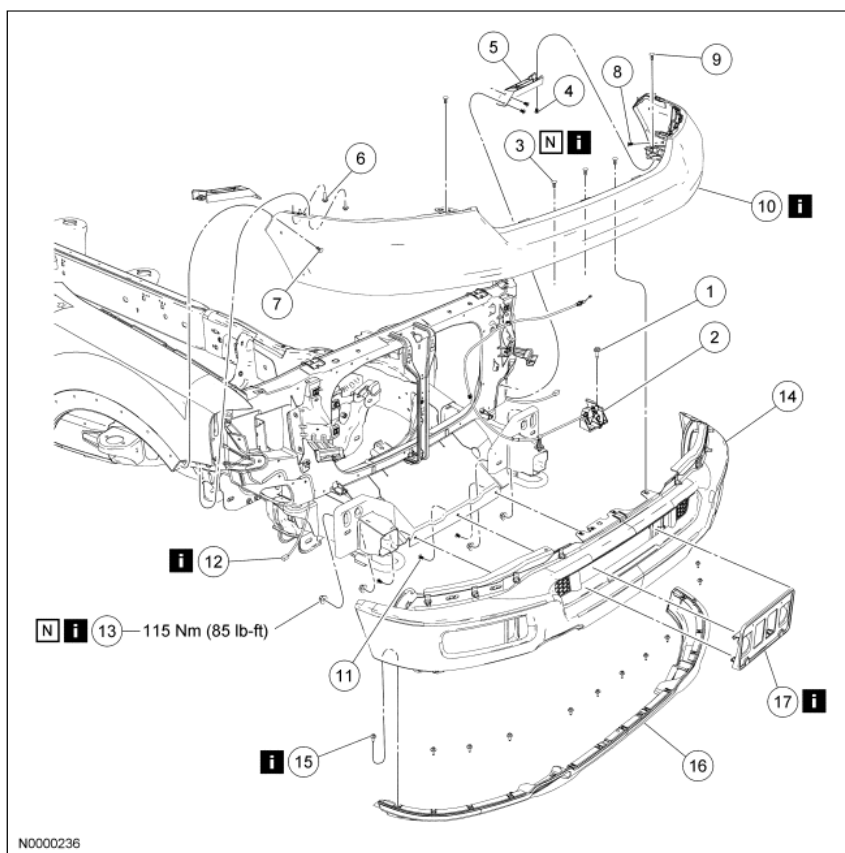


**Front Bumper**  [Printable View \(251 KB\)](#)

1. With the vehicle in NEUTRAL, position it on a hoist. For additional information, refer to [Section 100-00](#).
2. If removing the upper front bumper, remove the headlights. For additional information, refer to [Section 417-01](#).

To remove individual parts, only carry out the listed steps:

Part	Steps
Upper front bumper	3-10
Valance panel	15-16
Front bumper	1-3, 11-14
License plate bracket	17



N0000236

Item	Part Number	Description
1	W505424-S301	Bolt
2	16B975	Hood release (position aside)
3	W505424-S301	Bolts (3 req'd) Removal Note
4	W705549-S	Bolts (6 req'd)
5	17E942/ 17E943	Brace (RH/LH)
6	W505424-S301	Bolts (4 req'd)
7	W705549-S	Bolts (2 req'd)
8	—	Pin-type fastener (2 req'd)
9	W505424-S301	Bolt (2 req'd)
10	17D957	Upper front bumper Removal Note
11	—	Pin-type fasteners (3 req'd)
12	180101-12A581	Fog lamp electrical connectors (if equipped) Removal Note

13	N804525-S427	Bumper nuts (4 req'd) Removal Note
14	W706599-S427	Lower front bumper
15	W706599-S427	Valance panel bolt (12 req'd) Removal Note
16	17B635-A/ 17B635-B	Valance panel (4x2/4x4)
17	—	License plate bracket Removal Note

- To install, reverse the removal procedure.

### Item 3: Bolt Removal Note

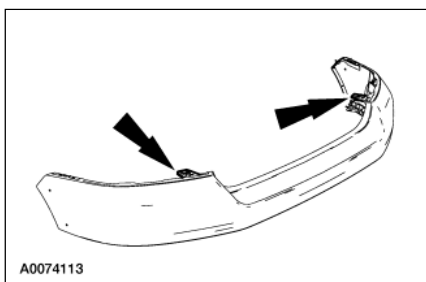
- Discard the 3 bolts after removal (install new bolts during installation)
- Remove the LH bolt and grille stopper.
- Remove the RH bolt and position aside the grille stopper.

### Item 10: Upper Front Bumper Removal Note

- If equipped with wheel lip mouldings, remove the 4 nuts.
- Remove the six pin-type fasteners.
- Remove the 4 screws.
- Position aside the splash shield.
- Disconnect the 6 moulding clips.
- Position aside the wheel lip mouldings.
- Release the fascia retaining clips.

### Item 12: Fog Lamp Electrical Connector Removal Note

- Detach the harness push pin from the fog lamp bracket.



### Item 13: Bumper Nut Removal Note

- Discard the bumper nuts after removal (install new bumper nuts during installation).

### Item 15: Valance Panel Removal Note

- If equipped, remove the fog lamps. For additional information, refer to [Section 417-01](#).

### Item 17: License Plate Bracket Removal Note

- Depress the tabs to release the bracket.

