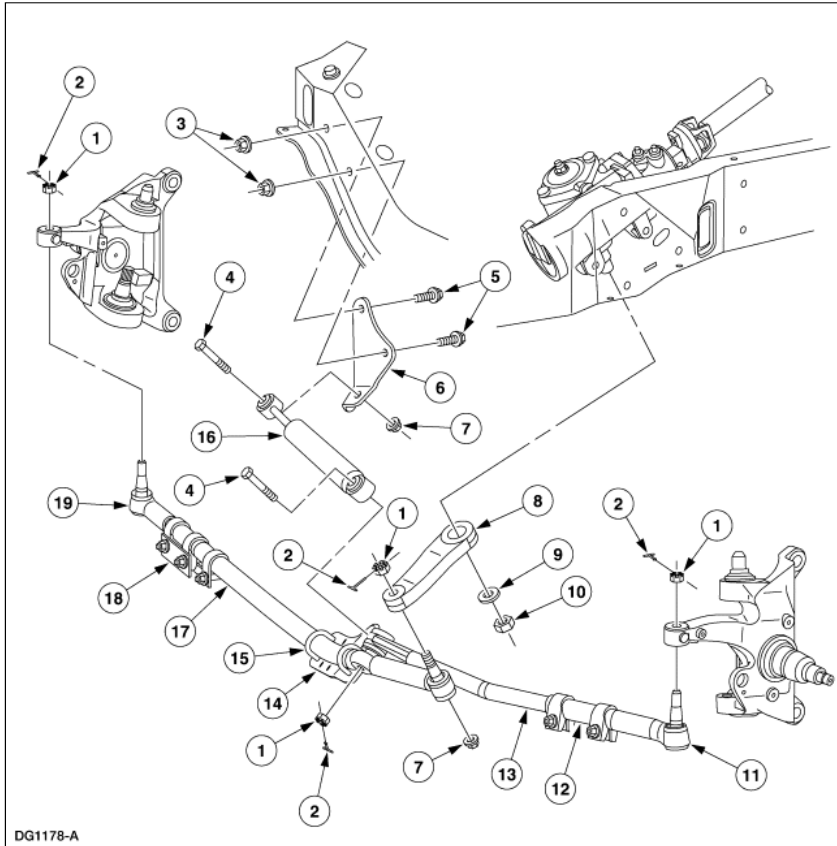


SECTION 211-03: Steering Linkage  
DESCRIPTION AND OPERATION2004 F-Super Duty 250-550/Excursion Workshop Manual  
Procedure revision date: 05/24/2003**Steering Linkage** [Printable View \(226 KB\)](#)

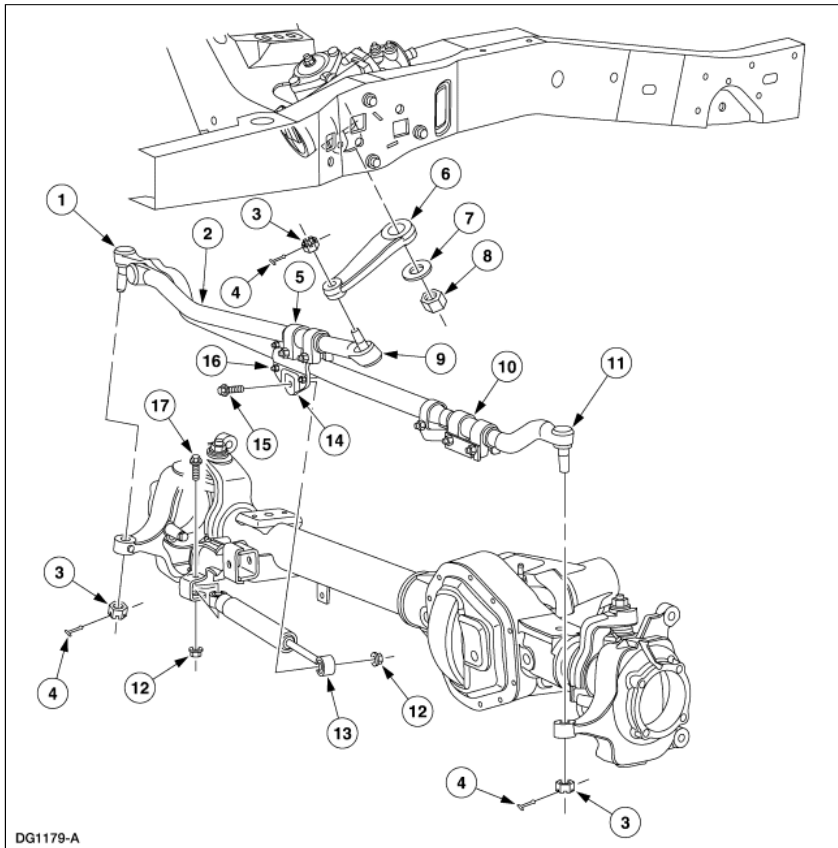
The steering linkage assemblies consist of the following:

**F-250, F-350, 4x2**

DG1178-A

Item	Part Number	Description
1	N800895-S301	Castellated nut, M14-1.5
2	N642569-S426	Cotter pin
3	N620483-S301	Nut, M12-1.75 (F-350 DRW only)
4	N605705-S426	Bolt, M12-1.75 x 70 (F-350 DRW only)
5	N605934-S426	Bolt, M12-1.75 x 35 (F-350 DRW only)
6	3E652	Damper bracket (F-350 DRW only)
7	N620483-S301	Nut, M12-1.75 (F-350 DRW only)
8	3590	Steering gear sector shaft arm
9	34798-S2	Lockwasher, 7/8
10	380771-S301	Nut, 7/8-10
11	3A130	Tie rod end (outer, LH)
12	3281	Adjusting sleeve
13	3A130	Tie rod end (inner)
14	3E653	Damper bracket (F-350 DRW only)
15	N811596-S426	U-bolt (F-350 DRW only)
16	3E651	Damper (F-350 DRW only)
17	3304	Steering sector shaft arm drag link
18	3280	Adjusting sleeve
19	3A131	Tie rod end (outer, RH)

F-250, F-350, 4x4 and Super Duty F-450, F-550



DG1179-A

Item	Part Number	Description
1	3B410	Tie rod end (outer, RH)
2	3A131	Tie rod end (inner)
3	N800895-S301	Castellated nut, M14-1.5
4	N642569-S36	Cotter pin
5	3281	Adjusting sleeve
6	3590	Steering gear sector shaft arm
7	34798-S2	Lockwasher, 7/8
8	380771-S301	Nut, 7/8-10
9	3304	Steering sector shaft arm drag link
10	3281	Adjusting sleeve
11	3B411	Tie rod end (outer, LH)
12	N602483-S301	Nut, M12 x 1.75 (off-road or heavy service option package only)
13	3E651	Damper (off-road or heavy service option package only)
14	3E653	Damper bracket (off-road or heavy service option package only)
15	N606083-S426	Bolt, M12 x 1.75 (off-road or heavy service option package only)
16	N811658-S426	U-Bolt, M10-1.5 (off-road or heavy service option package only)
17	N606084-S426	Bolt, M12 - 1.75 (off-road or heavy service option package only)

