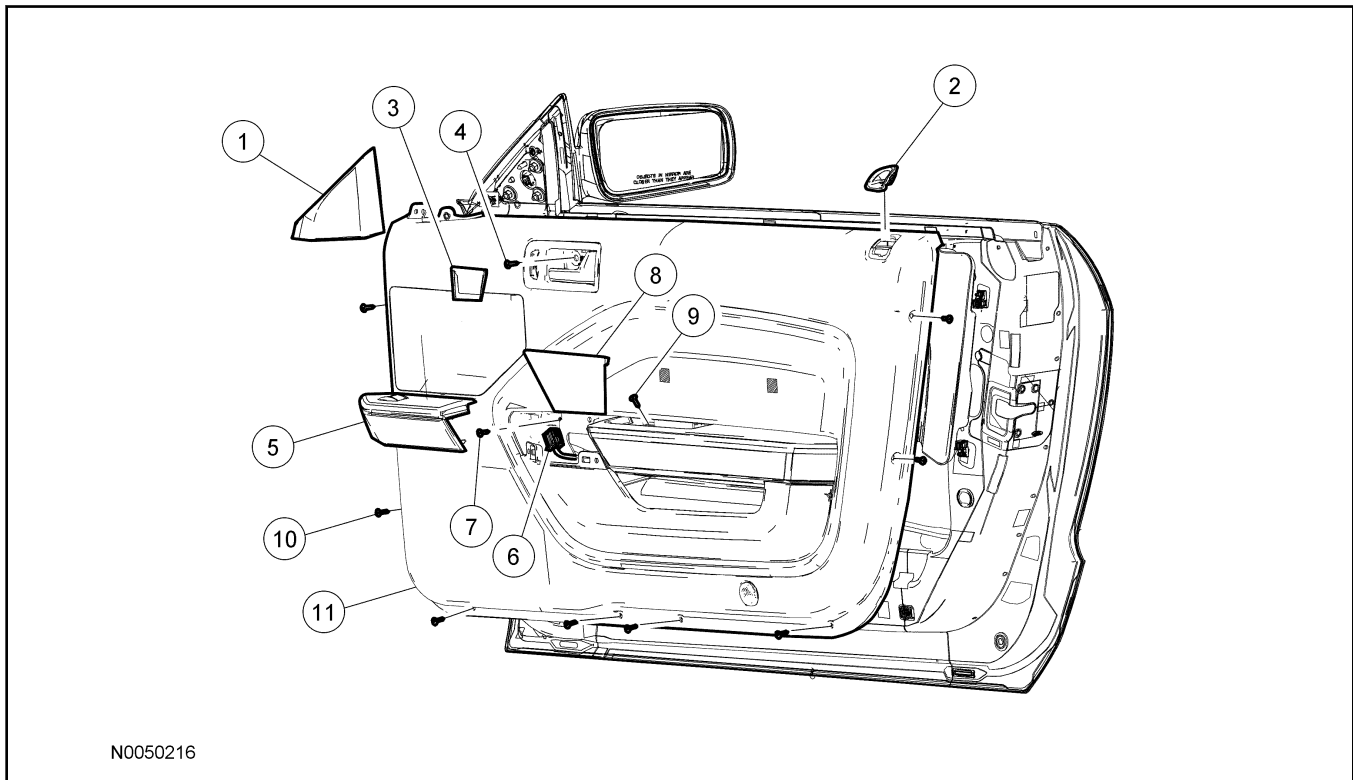


## Door Trim Panel



Item	Part Number	Description
1	17D698 RH/ 17D699 LH	Sail panel
2	21999	Door lock control knob bezel (RH/LH)
3	22620 RH/ 22621 LH	Interior door handle cover
4	N807780	Door trim panel bolt
5	14527 RH/ 14528 LH	Window control switch housing
6	—	Window control switch electrical connector
7	W709996	Door trim panel screw
8	6320456 RH/ 6320457 LH	Door trim panel handle cover
9	N807780	Door trim panel bolt
10	W709996	Door trim panel screw (8 required)
11	23942 RH/ 23943 LH	Door trim panel

### Removal and Installation

- Remove the sail panel.
  - If equipped, disconnect the exterior mirror control switch electrical connector.
- Remove the interior door handle cover and the door trim panel bolt.
- Remove the window control switch housing.
  - Disconnect the electrical connector.
- Remove the door trim panel center screw.
- Remove the door trim panel handle cover and the door trim panel bolt.
- Remove the 8 outer door trim panel screws and the door trim panel.
  - Disconnect the interior door handle actuating cable.
  - If equipped, disconnect the subwoofer electrical connector.
- To install, reverse the removal procedure.

(Continued)