

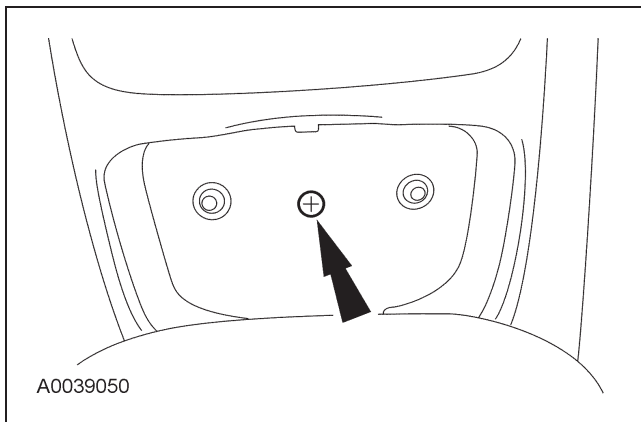
## REMOVAL AND INSTALLATION

### Overhead Console — Excursion

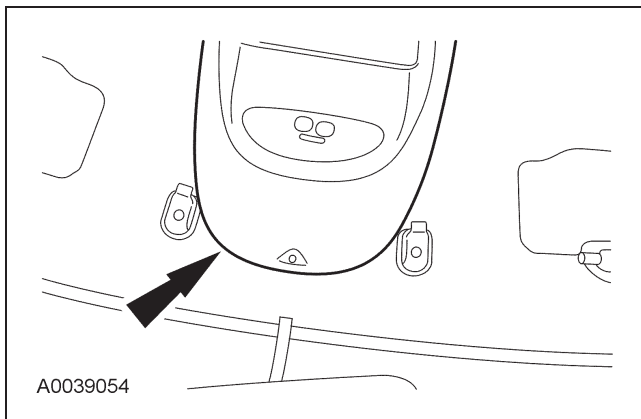
#### Removal and Installation

##### All Vehicles

1. Disconnect the battery ground cable. For additional information, refer to Section 414-01.
2. Open the sunglasses compartment and remove the screw.

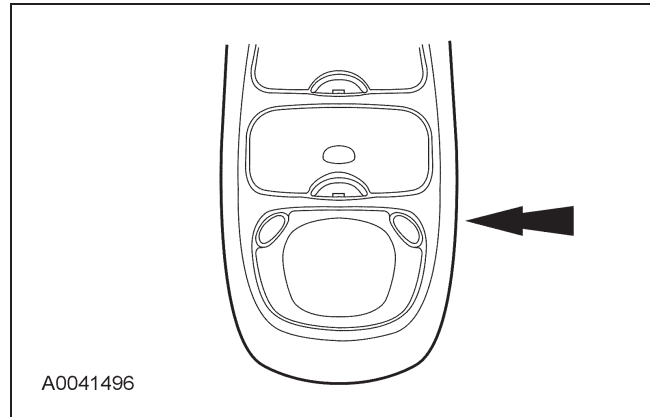


3. Release the front of the overhead console.



##### Vehicles without video display

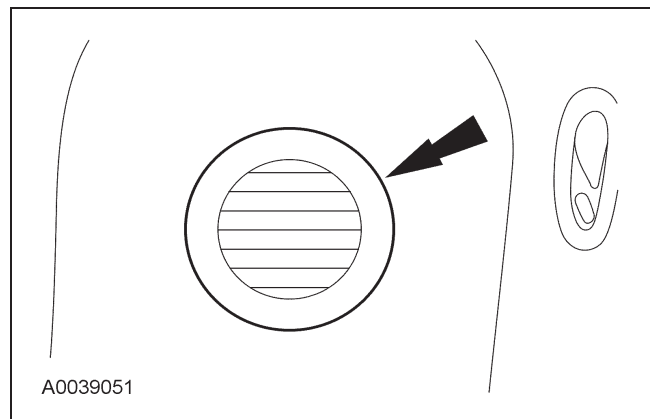
4. Release the rear of the overhead console.



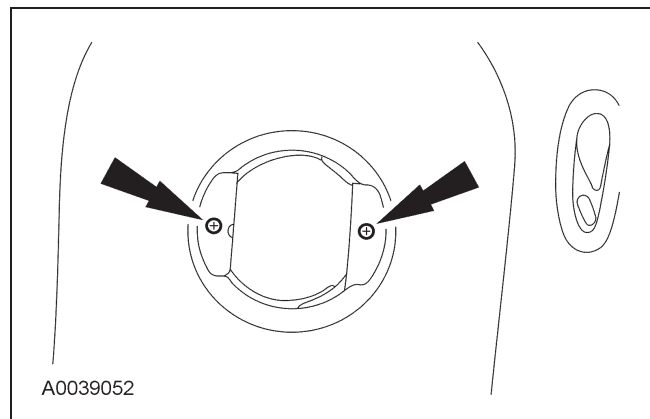
5. Remove the overhead console.
  - Disconnect the electrical connectors.

##### Vehicles with video display

6. Remove the air vent.



7. Remove the screws.

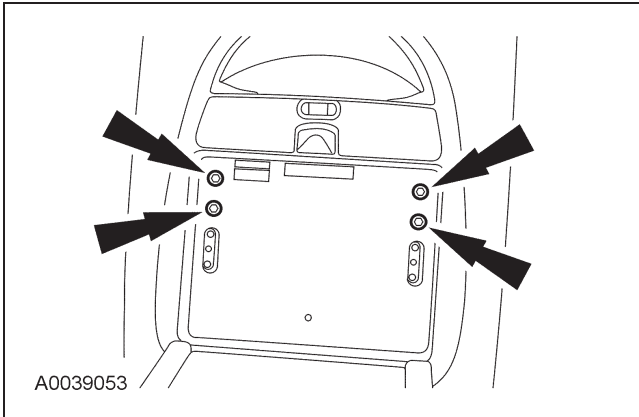


**REMOVAL AND INSTALLATION (Continued)**

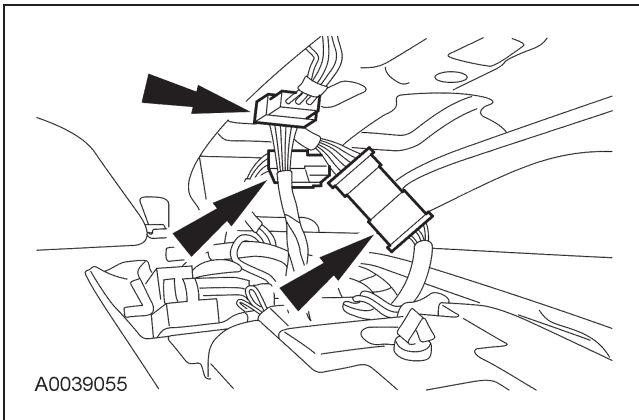
8. **NOTE:** The overhead console is equipped with a strap to provide support during removal and installation.

Lower the overhead console.

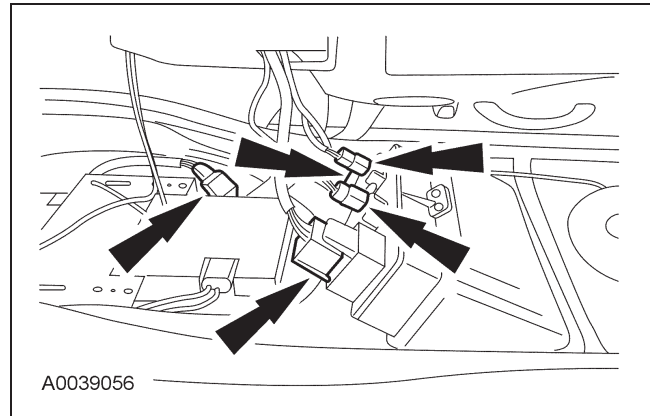
- Open the video display.
- Remove the screws.
- Connect the strap if it has become detached.



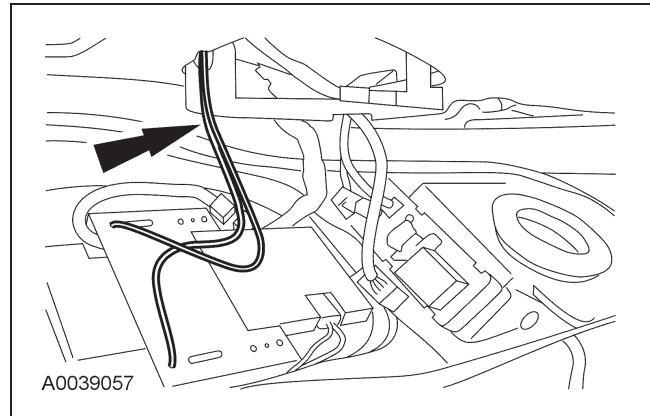
9. Disconnect the front electrical connectors.



10. Disconnect the rear electrical connectors.



11. Disconnect the strap and remove the overhead console.



12. To install, reverse the removal procedure.