

## Trim Panels, Door

### Front

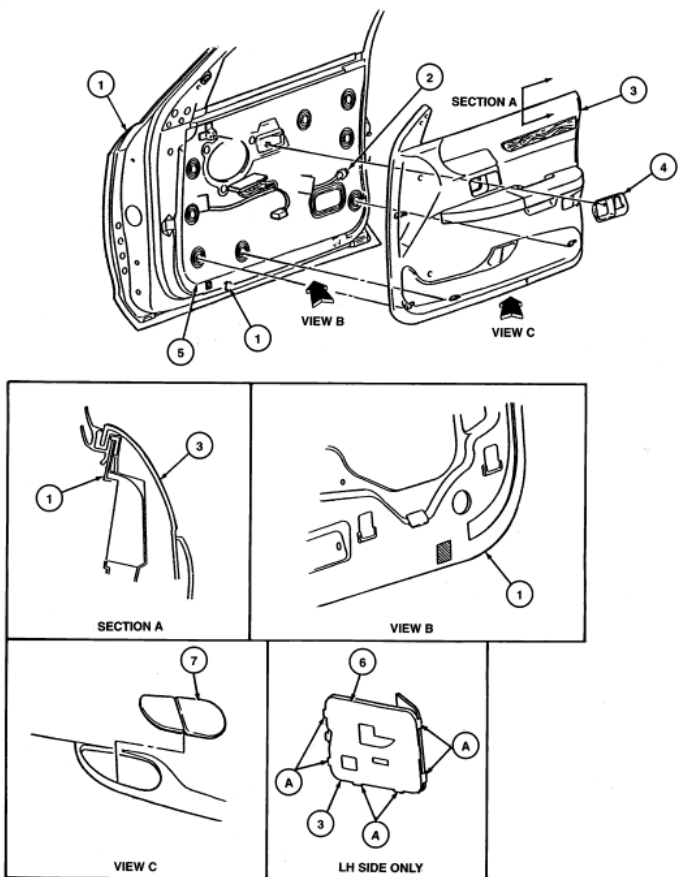
#### Removal

1. Remove window regulator control switch housing by gently prying up, starting at the front.
2. Disconnect all connectors from window regulator control switch housing.
3. Remove inside door handle cup (22634) by gently prying at screwdriver slot with a screwdriver.
4. Remove screw directly beneath inside door handle.
5. Remove lower screw retaining front door trim panel (23942) to door inner panel.
6. On Grand Marquis only, pry up screw covers from door pull handle and remove screws and handle.
7. Lift front door trim panel upward and snap out trim panel.
8. Disconnect wire harnesses from door panel as required and remove front door trim panel.

#### Installation

1. Connect wire harnesses to front door trim panel as required.
2. Install front door trim panel by pushing in and down until it snaps into place.
3. Install all self-tapping screws retaining front door trim panel to door inner panel.
4. On Grand Marquis only, install door pull handle, tighten screws and install screw covers.
5. Install inside door handle cup.
6. Install window regulator control switch housing.

### Trim Panels, Front Doors



AR0840-A

Item	Part Number	Description
1	20124	Front Door
2	14A005	Body Main Wiring
3	23942	Front Door Trim Panel
4	22634	Door Inside Handle Cup
5	—	Front Door Watershield
6	238A47	Door Trim Panel Protector
7	23744	Front Door Trim Panel Opening Cover
A	—	Secure Tabs to Door Sheet Metal with Firm Hand Pressure

**Rear**

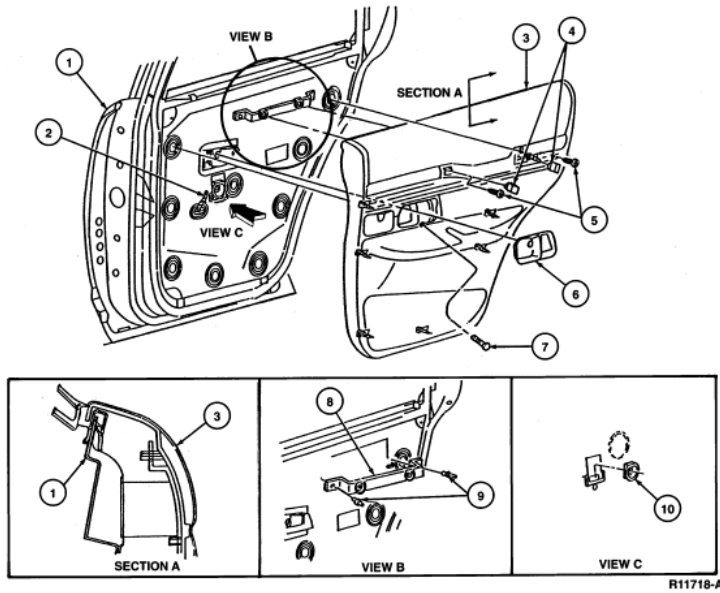
**Removal**

1. On Grand Marquis, snap out two door pull strap retainer screw covers. Remove screws.
2. Remove one screw from lower rear door panel.
3. Remove window regulator switch housing by gently prying up, starting at front.
4. Disconnect all electrical connectors from window regulator control switch housing.
5. Remove inside door handle cup by gently prying at screwdriver slot.
6. Remove screw directly below release handle.
7. Lift rear door trim panel (27406) upward and snap out trim panel.
8. Disconnect any electrical switches if equipped, and remove rear door trim panel.

**Installation**

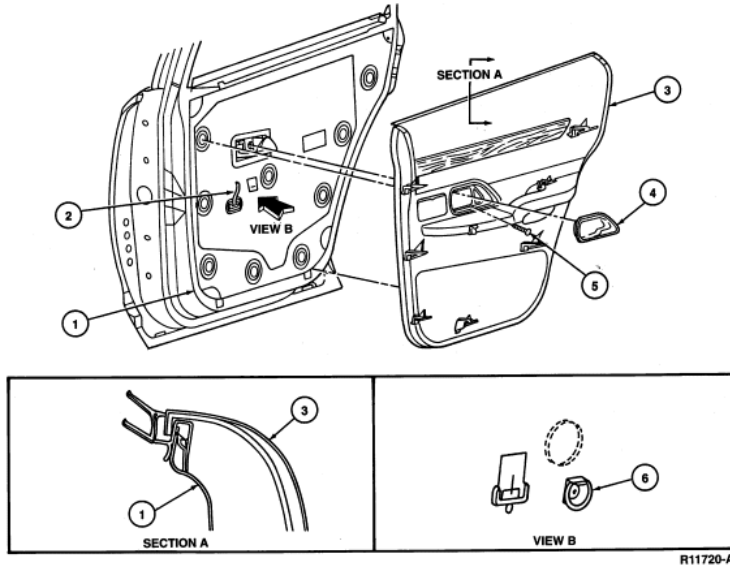
1. Follow Removal procedure in reverse order.

**Rear Door Trim Panel—Grand Marquis**



Item	Part Number	Description
1	24630	Rear Door
2	14A005	Body Main Wiring
3	A27406 (LH) A27407 (RH)	Rear Door Trim Panel
4	—	Trim Plug (Part of Door Panel)
5	56929-S58	Screw (2 Req'd Each Side)
6	1022896 (LH) 1022897 (RH)	Inside Door Handle Cup
7	N804592-S58	Screw (1 Req'd Each Side)
8	224A30	Rear Door Pull Handle Support
9	388047-S101	Rivet (2 Req'd Each Side)
10	N806399-S58	Nut (2 Req'd Each Side)

**Rear Door Trim Panel—Crown Victoria**



Item	Part Number	Description
1	24630	Rear Door
2	14A005	Body Main Wiring
3	A27406 (LH) A27407 (RH)	Rear Door Trim Panel
4	1022896 (LH) 1022897 (RH)	Inside Door Handle Cup
5	N804592-S58	Screw (2 Req'd Each Side)
6	N806399-S58	Nut (2 Req'd Each Side)

**Door Electrical Connections**

Refer to [Section 01-11](#) for power window, [Section 01-09](#) for power mirror or [Section 01-14A](#) for power door locks.