

Parts Information

Part	OEM Part	Price	
Automatic Transmission/Transaxle			
AX4N/4F50N			
Transaxle	1F1Z7000AARM	\$1986.59	Notes
Order By Code.			
AXOD-E, AX4S			
Transaxle	YF1Z7V000FRM	\$2046.58	Notes

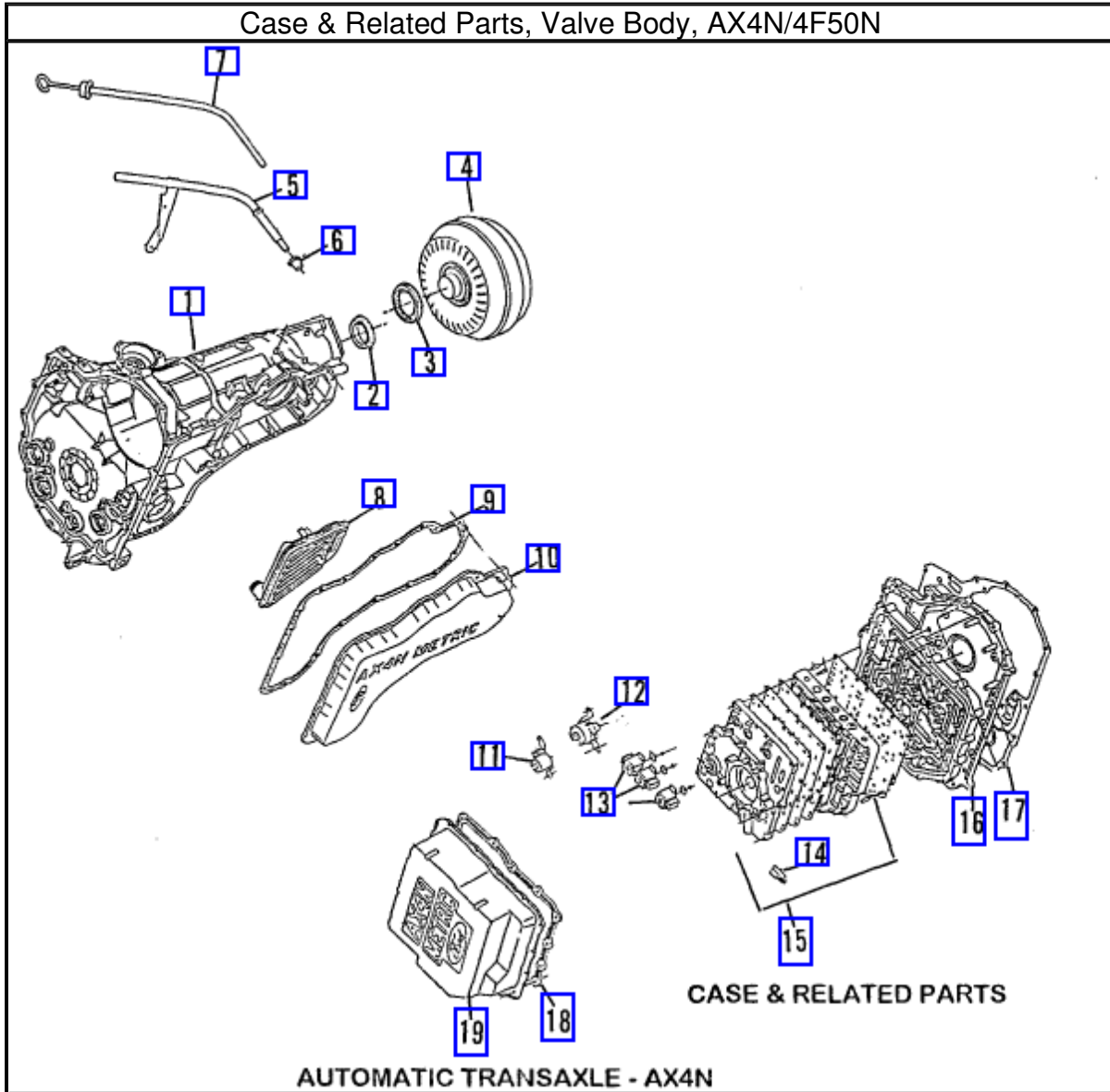
Labor	Skill Level	Mfg. Warranty	Standard	
Automatic Transmission/Transaxle				
Tune-Up	B	0.0	1.5	Notes
Includes: R&R Trans Pan, Service Filter And Make All Necessary Adjustments.				
Diagnose/Test				
AX4N/4F50N				
Oil Leak, Diagnosis	B	0.0	0.5	Notes
Includes: Clean And Dry Outside Of Case And Operating Unit To Determine Point Of Leakage.				
Transaxle, Diagnosis	A	0.0	1.8	Notes
Includes: Time To Hook-Up And Disconnect Test Equipment. Checking System For Fault Codes, Road Test And Hydraulic Pressure Test As Required.				
AXOD-E, AX4S				
Oil Leak, Diagnosis	B	0.0	0.5	Notes
Includes: Clean And Dry Outside Of Case And Operating Unit To Determine Point Of Leakage.				
Transaxle, Diagnosis	A	0.0	1.8	Notes
Includes: Time To Hook-Up And Disconnect Test Equipment. Checking System For Fault Codes, Road Test And Hydraulic Pressure Test As Required.				
Replace				
AX4N/4F50N				
Complete Assembly Without Transfer Of Parts	B	5.0	7.3	Notes
NOTE				
To R&R Driveplate, Add	B	0.0	0.2	Notes
To R&R Torque	B	0.0	0.2	Notes

Converter, Add					
	Complete Assembly With Transfer Of Parts	B	5.3	7.9	Notes
NOTE					
	To R&R Driveplate, Add	B	0.0	0.2	Notes
	To R&R Torque	B	0.0	0.2	Notes
Converter, Add					
Add	To Flush Cooler Lines,	B	0.0	0.6	Notes
AXOD-E, AX4S					
	Complete Assembly Without Transfer Of Parts				
	AX4S	B	4.5	7.3	Notes
NOTE					
	To R&R Driveplate, Add	B	0.0	0.2	Notes
	To R&R Torque	B	0.0	0.2	Notes
Converter, Add					
	Complete Assembly With Transfer Of Parts				
	AX4S	B	0.0	7.9	Notes
NOTE					
	To R&R Driveplate, Add	B	0.0	0.2	Notes
	To R&R Torque	B	0.0	0.2	Notes
Converter, Add					
Add	To Flush Cooler Lines,	B	0.0	0.6	Notes
Overhaul/Rebuild					
	AX4N/4F50N	A	9.9	13.9	Notes
Includes: R&I Transaxle.					
NOTE					
Add	To Overhaul Differential,	A	0.4	0.5	Notes
Add	To R&R Torque Converter,	A	0.0	0.2	Notes
	To Flush Cooler Lines, Add	A	0.0	0.6	Notes
Add	To Overhaul Valve Body,	A	1.6	1.9	Notes
	To R&R Case, Add	A	0.0	0.4	Notes
AXOD-E, AX4S					
	AX4S	A	10.9	16.1	Notes
Includes: R&I Transaxle.					
NOTE					

Add	To Overhaul Differential,	A	0.4	0.5	Notes
Add	To R&R Torque Converter,	A	0.0	0.2	Notes
	To Flush Cooler Lines, Add	A	0.0	0.6	Notes
Add	To Overhaul Valve Body,	A	1.6	1.9	Notes
	To R&R Case, Add	A	0.0	0.4	Notes

Automatic Transmission/Transaxle

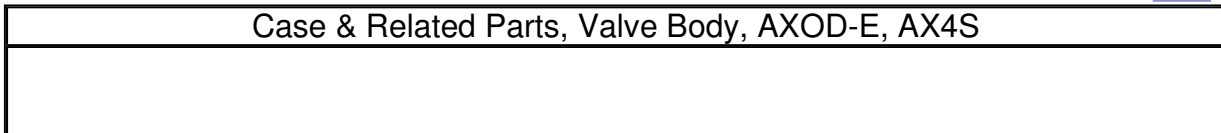
[Notes](#)

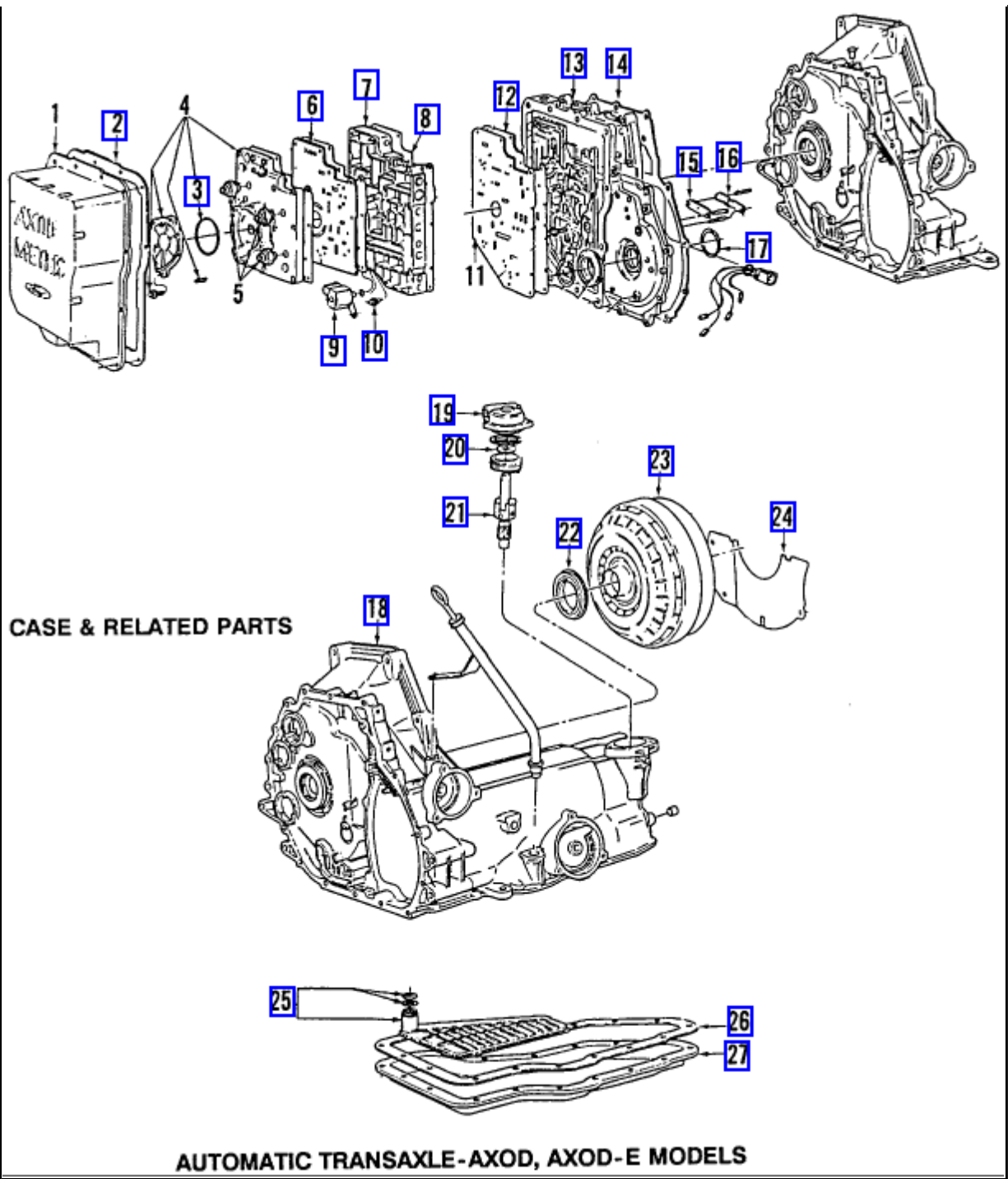


Zoom

Sized for Print

[Notes](#)



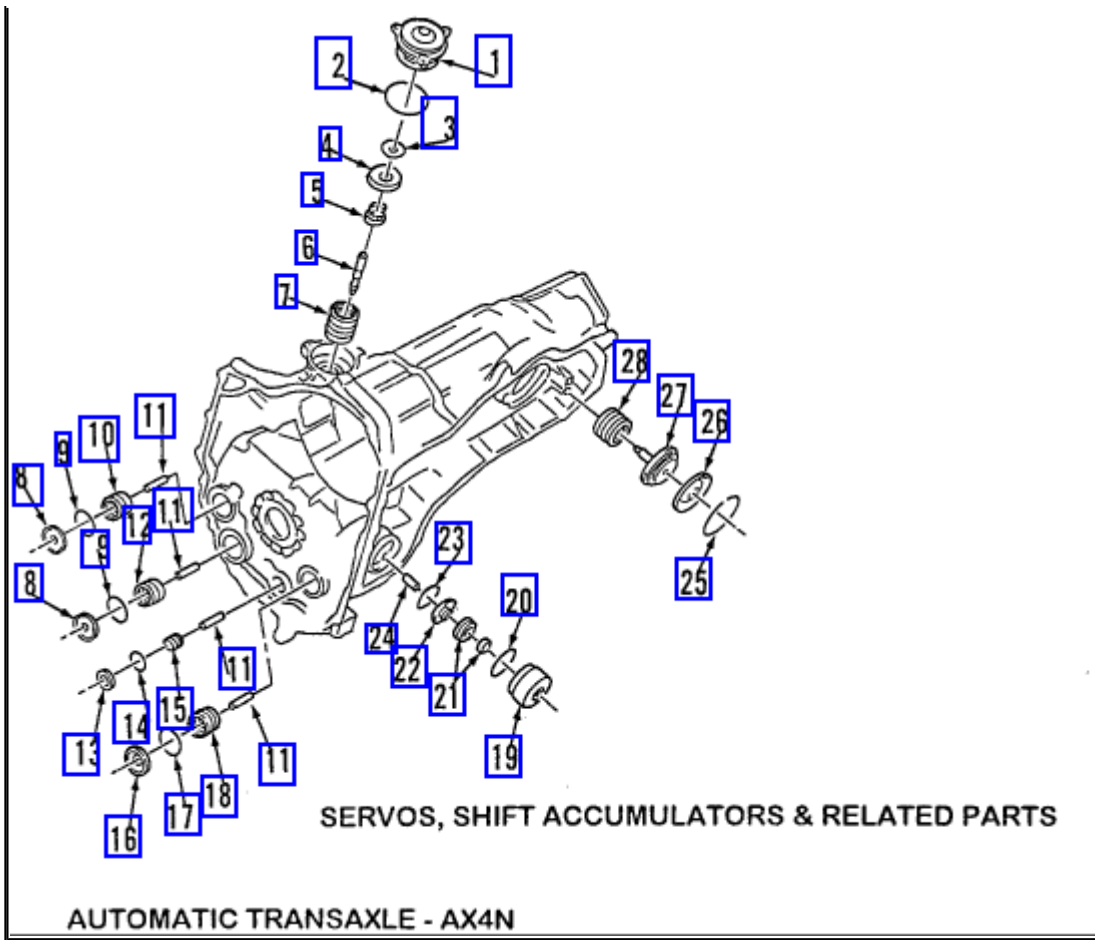


Zoom

Sized for Print

[Notes](#)

Accumulator & Servo Body, AX4N/4F50N

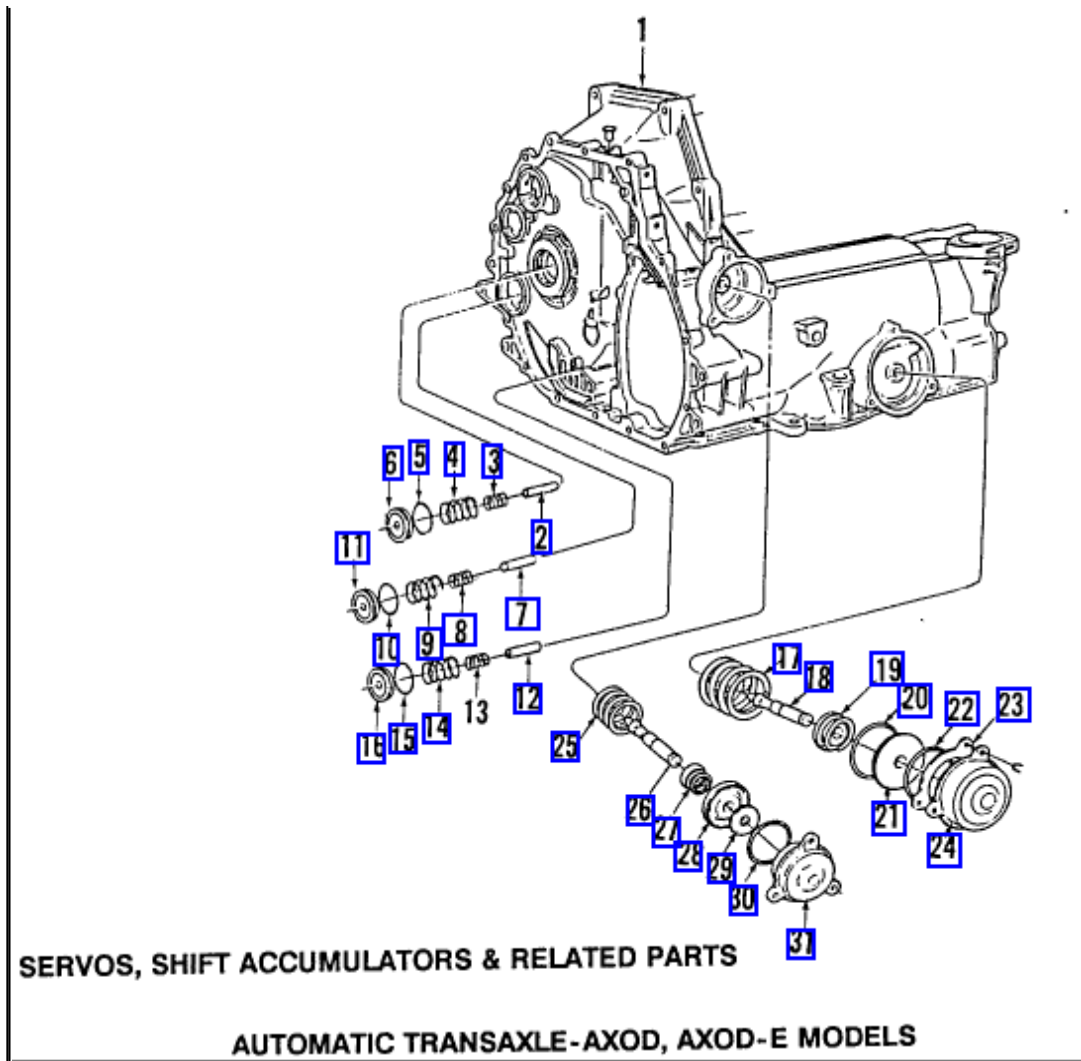


Zoom

Sized for Print

[Notes](#)

Accumulator & Servo Body, AXOD-E, AX4S

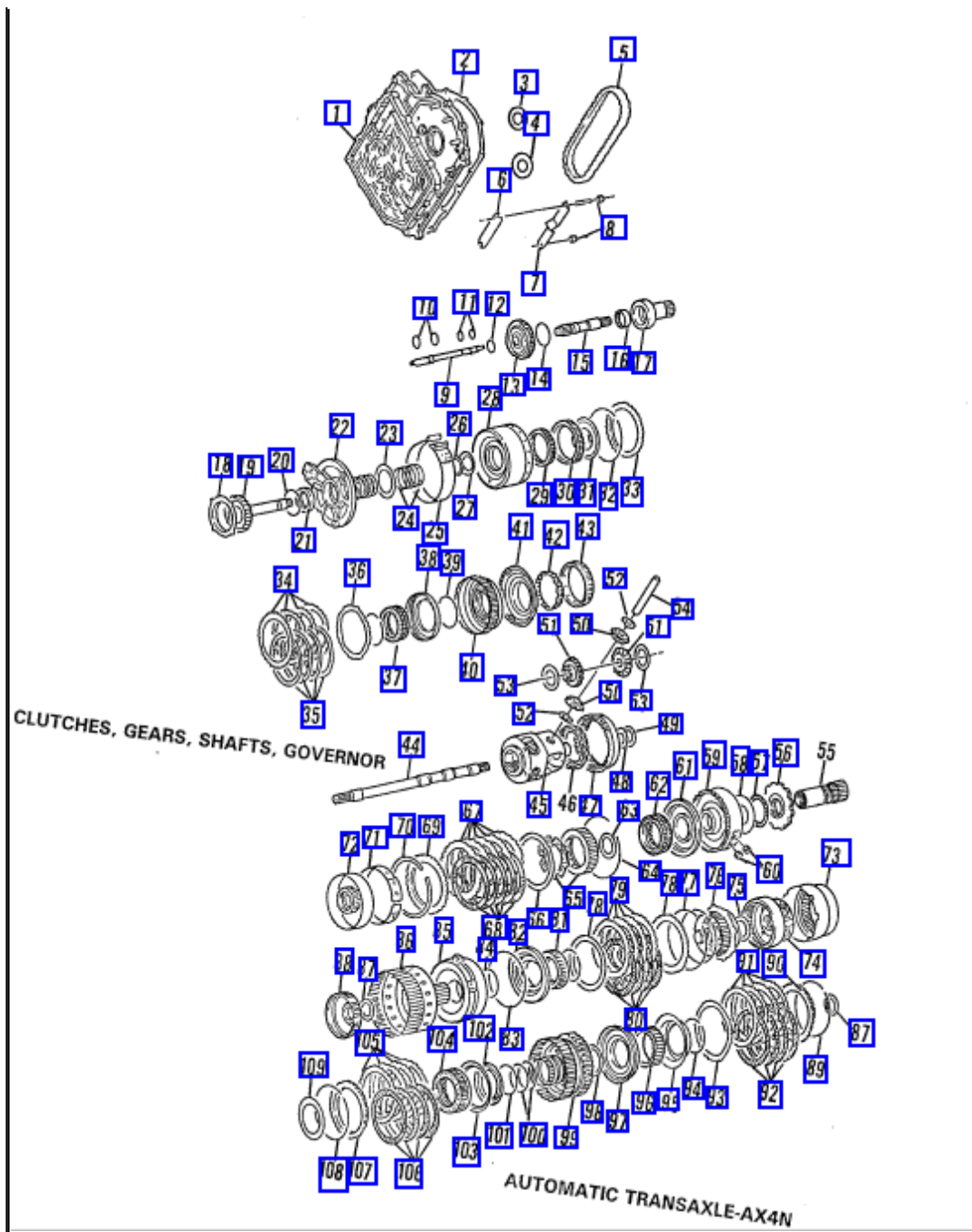


Zoom

Sized for Print

[Notes](#)

Differential, Clutches, Gear & Shafts, AX4N/4F50N

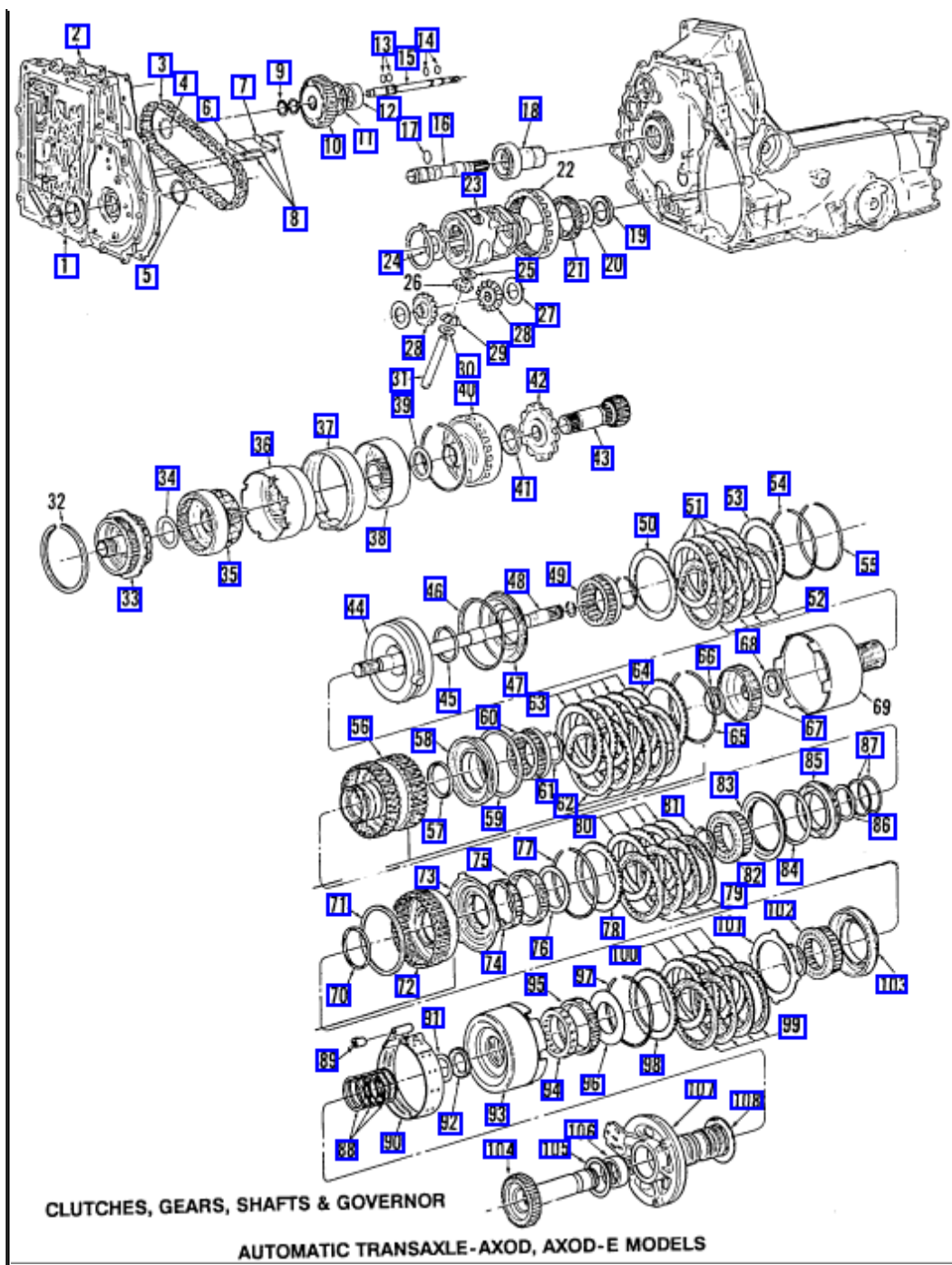


Zoom

Sized for Print

[Notes](#)

Differential, Clutches, Gear & Shafts, AXOD-E, AX4S

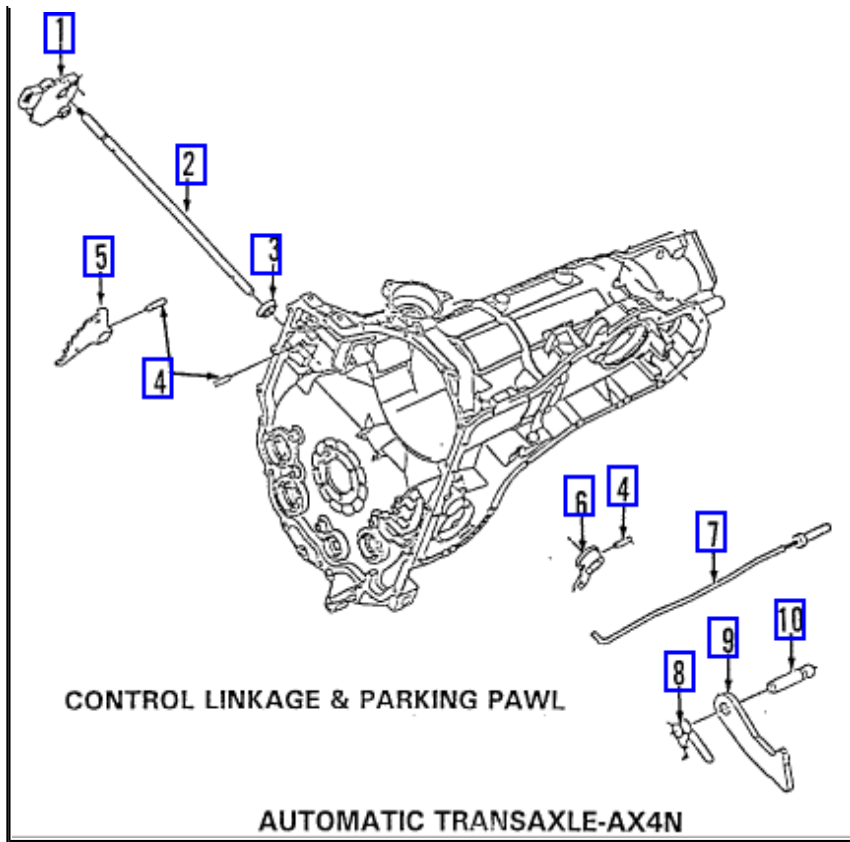


Zoom

Sized for Print

[Notes](#)

Manual Control Linkage & Parking Pawl, AX4N/4F50N

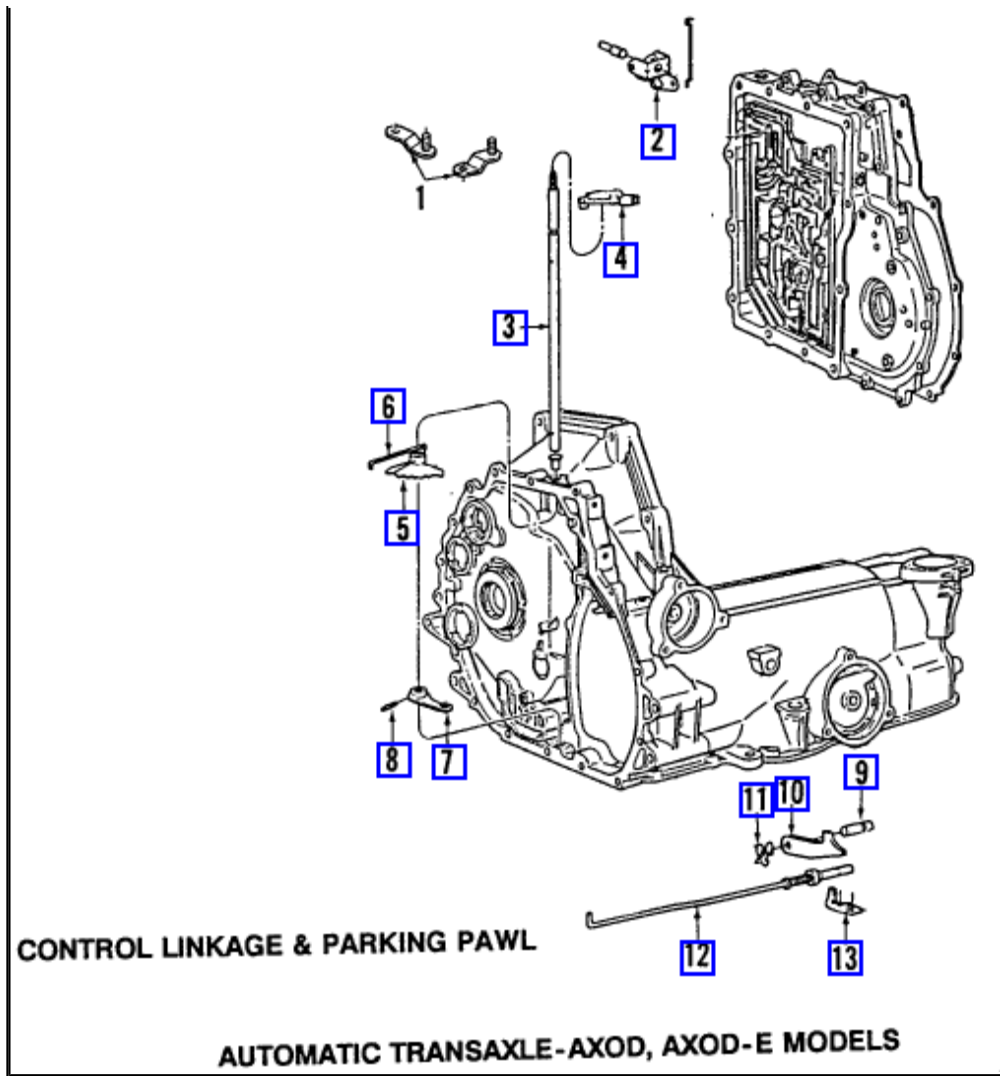


Zoom

Sized for Print

[Notes](#)

Manual Control Linkage & Parking Pawl, AXOD-E, AX4S



Zoom

Sized for Print