

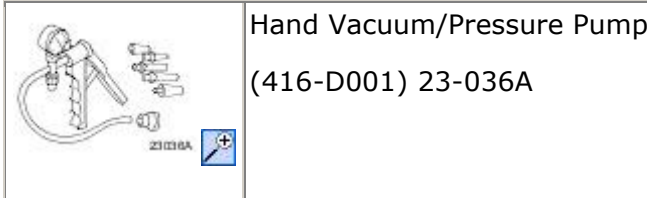
Fuel Charging and Controls - 1.8L Duratorq-TDCi (Lynx) Diesel/1.8L Duratorq-TDDi (Lynx) Diesel - Fuel Injection Pump—1.8L Duratorq-TDDi (Lynx) Diesel

Transit/Tourneo Connect 2002.5 (06/2002-)

 [Print](#)  [Report An Error](#)

Removal and Installation

Special Tool(s)



General Equipment


Worldwide Diagnostic System (WDS)


Materials

Name

Specification

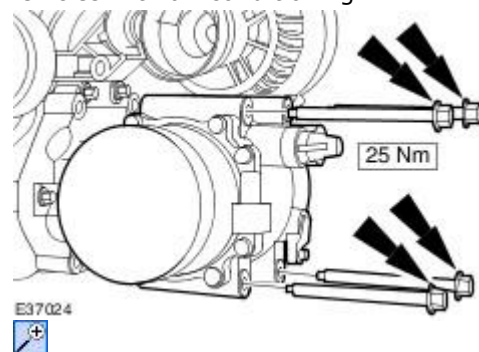
Silicon Sealer
WSE-M4G323-A4
Gasket Sealer
WSK-M2G348-A5
All vehicles

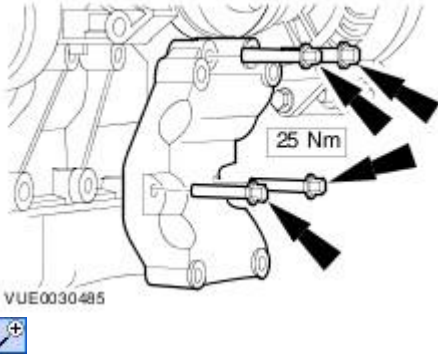
 **WARNING:** Do not smoke or carry lighted tobacco or open flame of any type when working on or near any fuel related components. Highly flammable mixtures are always present and may ignite. Failure to follow these instructions may result in personal injury.

 **CAUTION:** Diesel fuel injection equipment is manufactured to very precise tolerances and fine clearances. It is therefore essential that absolute cleanliness is observed when working with these components. Always install blanking plugs to any open orifices or lines.

1. Remove the timing belt. For additional information, refer to Section [303-01A Engine](#) / [303-01B Engine](#).
2. Detach the air conditioning (A/C) compressor and secure it to one side.

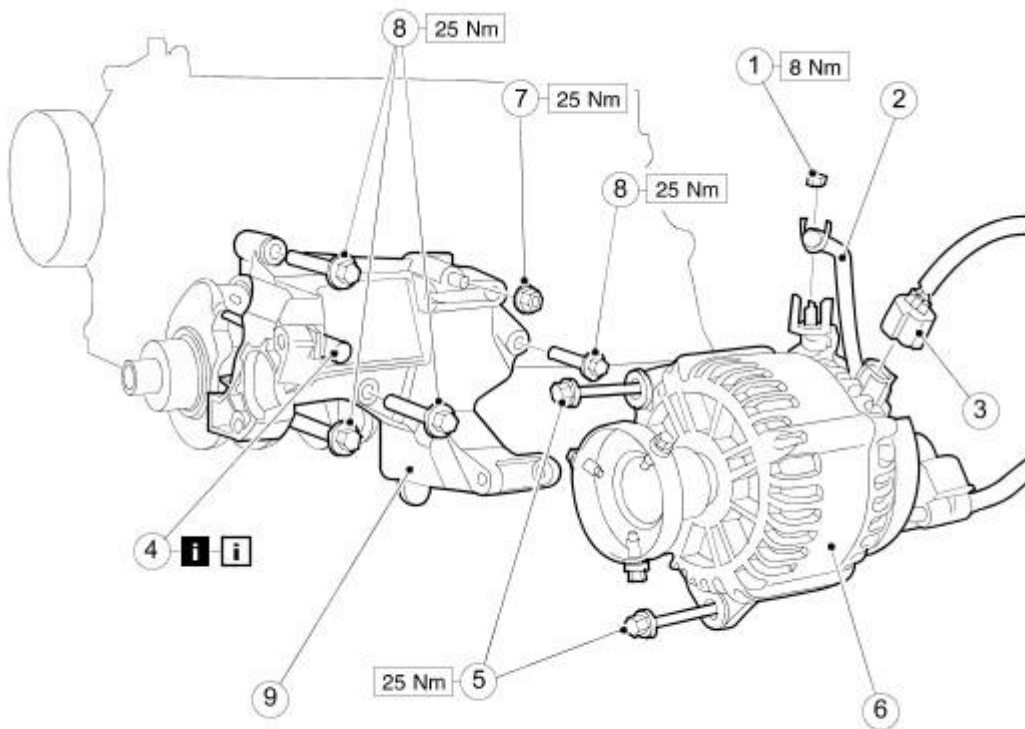
Vehicles with air conditioning





3. Remove the A/C compressor retaining bracket.

4. Remove the components in the order indicated in the following illustration(s) and table(s).

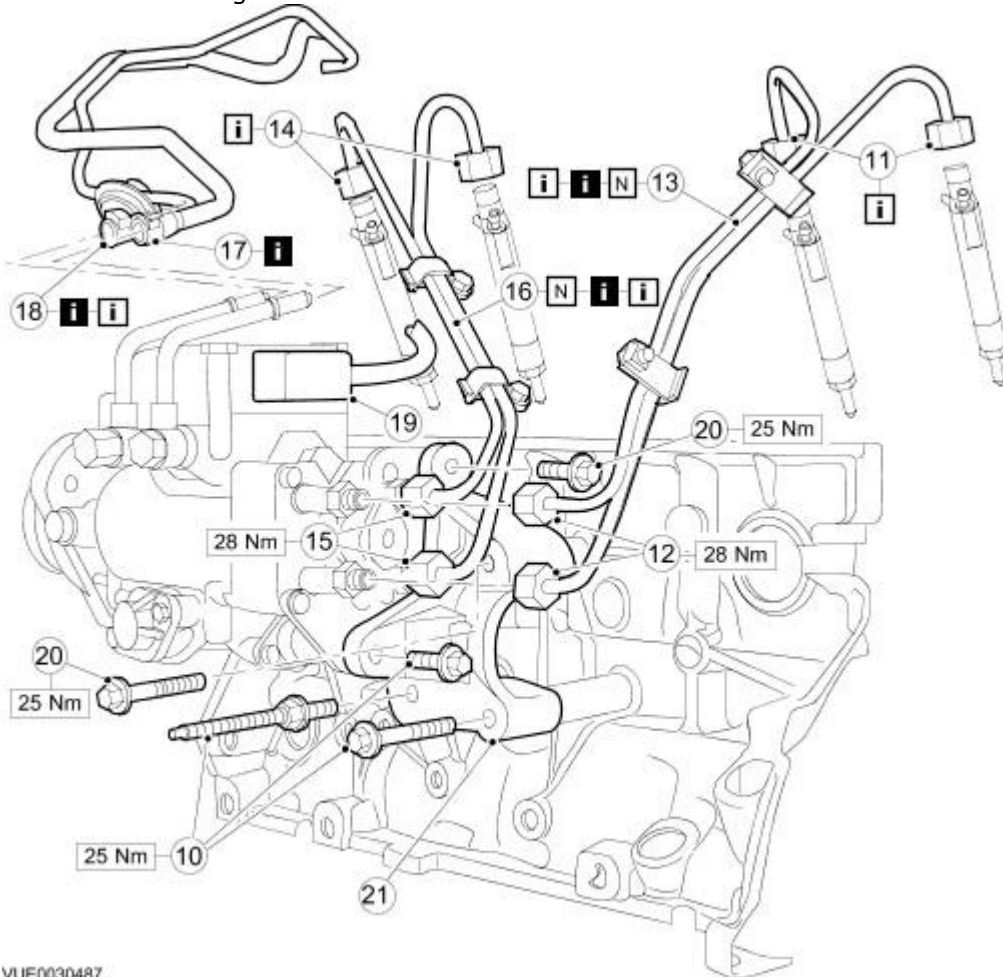


VUE0030486

Description	Item Part Number
	1
Generator electrical connector retaining nut	-
Battery positive cable	2
Generator electrical connector	3
	4

Special tool (303 193) 21-104
[See Removal Detail](#)
[See Installation Detail](#)

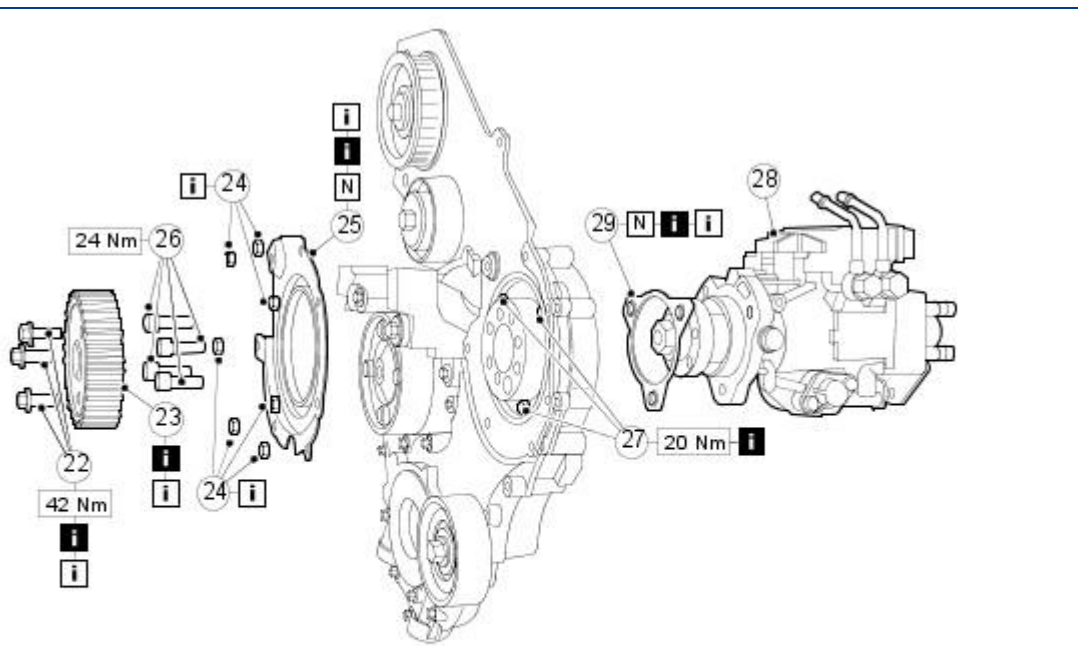
	-
	5
Generator retaining bolts	-
	6
Generator	-
	7
Generator bracket retaining nut	-
	8
Generator bracket retaining bolts	-
	9
Generator retaining bracket	-



VUE0030487

Description	Item Part Number
	10
	-
Fuel injection pump support bracket retaining bolts	11
	-

High-pressure fuel injection pipe to fuel injector unions See Removal Detail See Installation Detail	12
	-
High-pressure fuel injection pipe to fuel injection pump unions	13
	-
High-pressure fuel injection pipes See Removal Detail See Installation Detail	14
	-
High-pressure fuel injection pipe to fuel injector unions See Installation Detail	15
	-
High-pressure fuel injection pipe to fuel injection pump unions	16
	-
High-pressure fuel injection pipes See Removal Detail See Installation Detail	17
	-
Fuel injection pump supply line See Removal Detail	18
	-
Fuel injection pump return line See Removal Detail See Installation Detail	19
	-
Fuel injection pump electrical connector	20
	-
Fuel injection pump support bracket retaining bolts	21
	-
Fuel injection pump support bracket	



VUE0030490

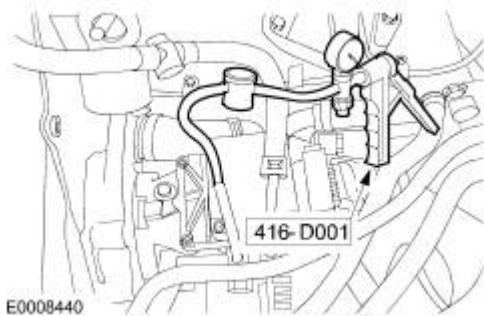
Description	Item Part Number
	22
	-
Fuel injection pump pulley retaining bolts See Removal Detail See Installation Detail	23
	-
Fuel injection pump pulley See Removal Detail See Installation Detail	24
	-
Fuel injection pump seal retaining nuts See Installation Detail	25
	-
Fuel injection pump seal See Removal Detail See Installation Detail	26
	-
Fuel injection pump sprocket retaining bolts	27
	-
Fuel injection pump retaining bolts See Removal Detail	28
	-

Fuel injection pump gasket

[See Removal Detail](#)

[See Installation Detail](#)

5. To install, reverse the removal procedure.



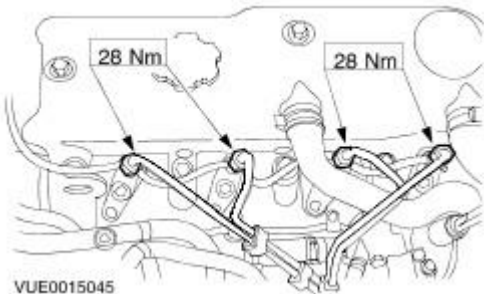
6. Configure the fuel injection pump to the powertrain control module (PCM). For additional information, refer to WDS.

7. Using the special tool, prime the fuel injection pump until clean fuel is seen entering the vacuum pump reservoir.

8. Remove the special tool.

9. Turn the ignition switch to position three (engine cranking). Crank the engine until clean fuel escapes from the high-pressure fuel injection pipe unions.

10. Tighten the high-pressure fuel injection pipe unions.



Removal Details

Item 4 : Special tool (303 193) 21-104

1. Raise the vehicle.

Item 13 : High-pressure fuel injection pipes

NOTE: Discard the high-pressure fuel injection pipes.

Item 16 : High-pressure fuel injection pipes

NOTE: Discard the high-pressure fuel injection pipes.

Item 17 : Fuel injection pump supply line

1. For additional information, refer to Section [310-00A Fuel System - General Information](#) / [310-00B Fuel System - General Information](#).

Item 18 : Fuel injection pump return line

1. For additional information, refer to Section [310-00A Fuel System - General Information](#) / [310-00B Fuel System - General Information](#).

Item 22 : Fuel injection pump pulley retaining bolts

1. The fuel injection pump retaining bolts are sealed to the fuel injection pump sprocket and will require thorough cleaning before installation.

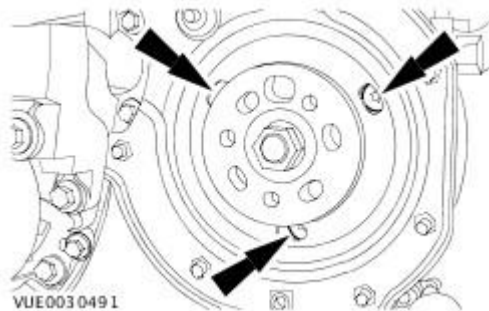
Item 23 : Fuel injection pump pulley

1. The fuel injection pump pulley is sealed to the fuel injection pump sprocket and will require thorough cleaning before installation.

Item 25 : Fuel injection pump seal

NOTE: Discard the fuel injection pump seal.

Item 27 : Fuel injection pump retaining bolts



1. Access the bolts through the holes provided. The fuel injection pump bolts cannot be removed completely.

Item 29 : Fuel injection pump gasket

NOTE: Discard the fuel injection pump gasket.

Installation Details

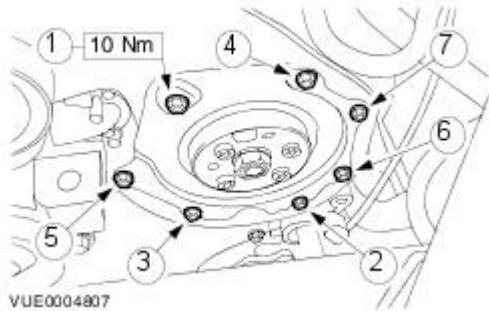
Item 29 : Fuel injection pump gasket

NOTE: Install a new fuel injection pump gasket.

Item 25 : Fuel injection pump seal

NOTE: Install a new fuel injection pump seal.

Item 24 : Fuel injection pump seal retaining nuts

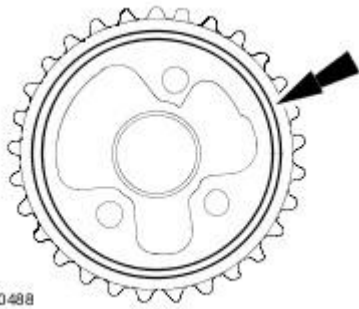


VUE0004807



1. Tighten the nuts in the sequence shown.

Item 23 : Fuel injection pump pulley



VUE0030488



1. Using [sealer](#) seal the fuel injection pump pulley to the fuel injection pump sprocket.

Item 22 : Fuel injection pump pulley retaining bolts



VUE0030489



1. Using [sealer](#) apply a thin bead of sealer to the outer edge of the fuel injection pump pulley retaining bolt holes.

Item 18 : Fuel injection pump return line

NOTE: Do not install the fuel return line at this stage.

Item 16 : High-pressure fuel injection pipes

NOTE: Install new high-pressure fuel injection pipes.

Item 14 : High-pressure fuel injection pipe to fuel injector unions

NOTE: Do not tighten the high-pressure fuel injection pipe unions at this stage.

Item 13 : High-pressure fuel injection pipes

NOTE: Install new high-pressure fuel injection pipes.

Item 11 : High-pressure fuel injection pipe to fuel injector unions

NOTE: Do not tighten the high-pressure fuel injection pipe unions at this

stage.

Item 4 : Special tool (303 193) 21-104

1. Lower the vehicle.