



SERVICE BULLETIN

Classification: BR06-011b	Reference: NTB07-016b	Date: July 10, 2007
------------------------------	--------------------------	------------------------

2004 – 2007 MAXIMA; ABS ACTIVATES WITH NORMAL BRAKING / ABS WARNING LAMP IS ON

The Parts Information section of this bulletin has been amended and step 6 of the Service Procedure has changed. No other changes have been made.
Please discard all previous copies of this bulletin.

- APPLIED VEHICLES:** 2004 – 2007 Maxima (A34)
APPLIED VINs: 2004 – 2006 all VINs
2007 built before 1N4BA41E(*)7C 806900
APPLIED DATE: Built before July 10, 2006

IF YOU CONFIRM

The ABS light is ON with one or more of the following DTC stored,

- C1105 – RR RH Sensor 2
- C1110 – Controller Failure
- C1124 – RR LH IN ABS SOL
- C1126 – RR RH IN ABS SOL

and/or

The ABS system activates with normal braking.

ACTIONS

1. Remove only the right rear brake rotor, wheel hub assembly, baffle plate and ABS wheel sensor.
2. Clean the corrosion off of the knuckle, wheel hub assembly, and baffle plate.
3. Grind a notch in the knuckle locating hole (locating hole for plastic hub cap).
4. Reassemble using the new plastic hub cap and a new ABS wheel sensor.
5. If code C1126 and/or C1124 is stored; replace the ABS actuator.
6. Test drive vehicle; recheck for code C1110 (refer to step 10 in the Service Procedure).

IMPORTANT: The purpose of “ACTIONS” (above) is to give you a quick idea of the work you will be performing. You MUST closely follow the entire Service Procedure (starting on page 2) as it contains information that is essential to successfully completing the repair.

Nissan Bulletins are intended for use by qualified technicians, not 'do-it-yourselfers'. Qualified technicians are properly trained individuals who have the equipment, tools, safety instruction, and know-how to do a job properly and safely. NOTE: If you believe that a described condition may apply to a particular vehicle, DO NOT assume that it does. See your Nissan dealer to determine if this applies to your vehicle.

PARTS INFORMATION

DESCRIPTION	PART #	QUANTITY
Sensor Assy – Anti Skid Rear	47900-7Y000	1
Cap-Hub - RH	43234-ZK30A	1
ABS Actuator	Use the VIN and the electronic parts catalog (FAST or equivalent) to find the correct P/N	1 (if needed)

CLAIMS INFORMATION

Submit a Primary Part (PP) type line claim using the following claims coding:

DESCRIPTION	PFP	OP CODE	SYM	DIA	FRT
RPL Rear ABS Sensor and Plastic Hub Cap	(1)	PX32AA	ZE	32	1.1

(1) Reference the FAST Parts Catalog and use the “Housing Assy – Rear Axle, RH” P/N as the PFP.

And, IF Necessary, use Combination Op Code:

DESCRIPTION	OP CODE	FRT
RPL ABS Actuator	PX321A	1.5

SERVICE PROCEDURE

1. Remove only the right rear (passenger side) brake rotor, wheel hub assembly, and baffle plate (see Figure 1).

- Refer to Section RAX in the Service Manual for removal information.

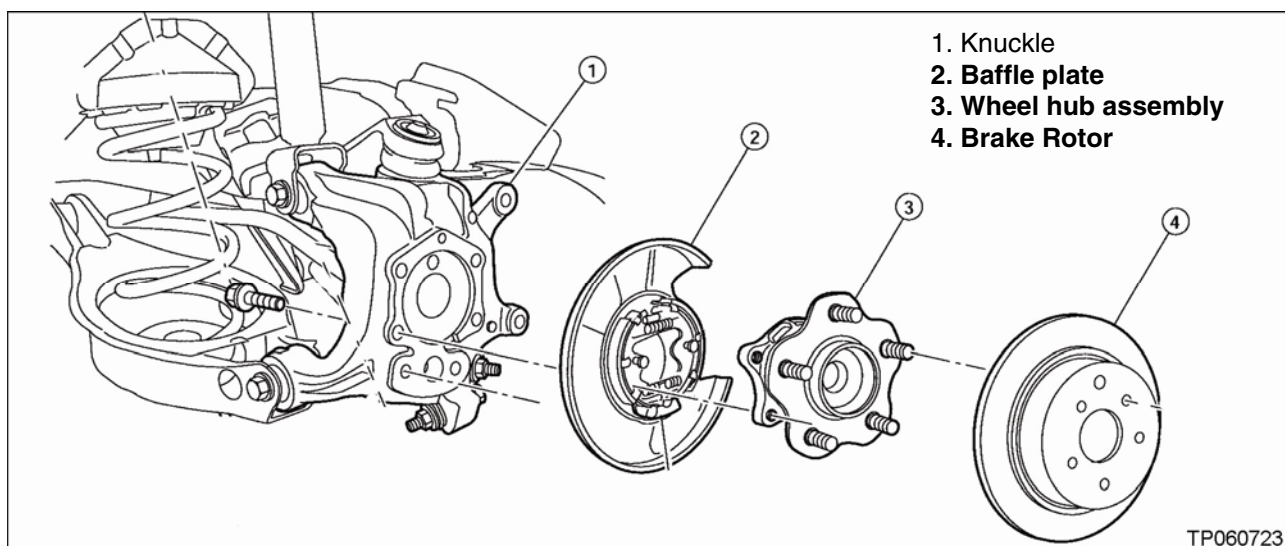


Figure 1

2. Remove the plastic hub cap.
3. Remove the right rear ABS wheel sensor as follows:
 - a. Apply corrosion penetrant to the sensor bolt.
 - b. Use a punch and hammer to lightly tap the sensor bolt.

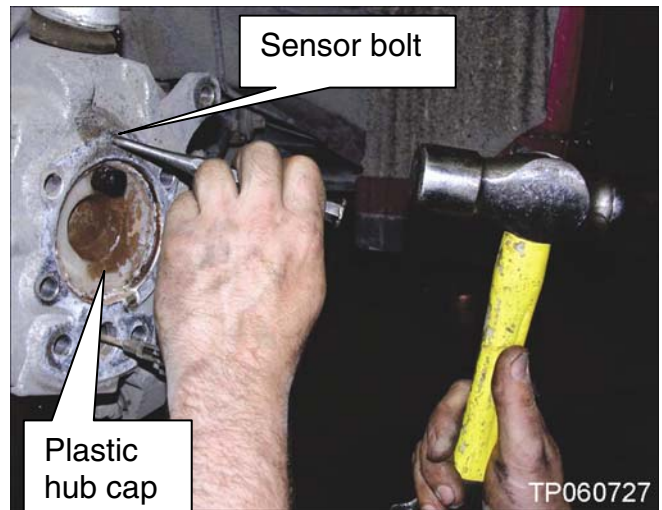


Figure 2

- c. Remove the sensor bolt and sensor.

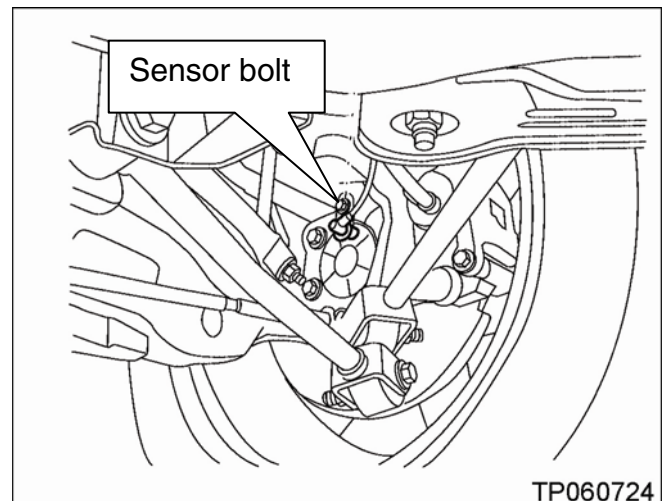


Figure 3

4. Clean corrosion off of the, knuckle, baffle plate, and wheel hub assembly.

- Use a **non-metal** brush on the wheel hub assembly. A metal brush may damage components.

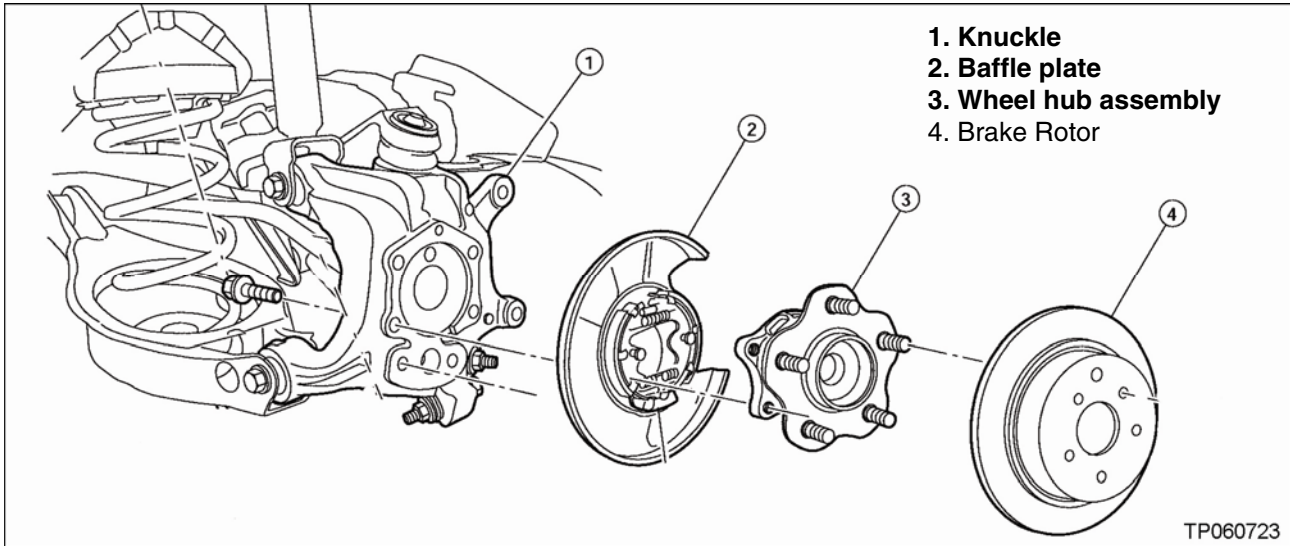


Figure 4

- A wire wheel or metal brush can be used on the knuckle and baffle plate.



Figure 5

5. Grind or file a notch in the locating hole.



Figure 6

Before grinding



Figure 7

After grinding

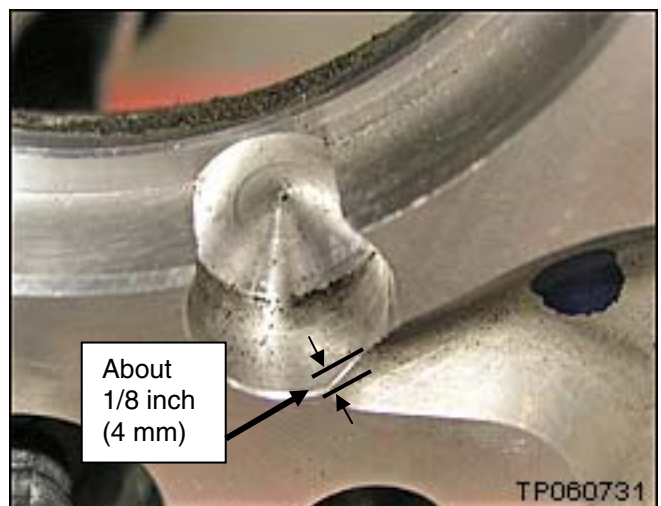


Figure 8

6. Install the new plastic hub cap.
7. Reassemble all parts removed in reverse order.
 - Refer to section RAX in the Service Manual for reassembly information.
 - **Make sure to use a new ABS wheel sensor.**
8. If code C1124 and/or C1126 was stored; replace the ABS actuator.
 - Refer to section BRC in the Service Manual for actuator replacement information.
9. If you did not replace the ABS actuator in step 8, do the following:
 - a. Use CONSULT-II to clear all ABS DTCs.
 - b. Test drive the vehicle.
 - c. Recheck for code C1110.
 - d. If code C1110 is stored, replace the ABS actuator.
 - Refer to section BRC in the Service Manual for actuator replacement information.
10. Test drive the vehicle; make sure the incident is fixed and ABS light does not come on.

