



Select Vehicle | New TSBs | Technician's Reference

Component Search:

Conversion Calculator

2005 GMC Truck Envoy 2WD L6-4.2L VIN S

[Vehicle Level](#) → [Instrument Panel, Gauges and Warning Indicators](#) → [Technical Service Bulletins](#) → [All Technical Service Bulletins](#) → [Instruments - Erratic Speedometer Operation](#) ←

Instruments - Erratic Speedometer Operation

[Notes](#)

Bulletin No.: 07-08-49-027

Date: December 04, 2007

TECHNICAL

Subject:

Erratic Speedometer Operation Or Speedometer Needle Shakes Above 60 mph (96 km/h) (Repair Poor Connection At Ground G108)

Models:

- 2004-2007 Buick Rainier
- 2002-2008 Chevrolet TrailBlazer Models
- 2002-2008 GMC Envoy Models
- 2002-2004 Oldsmobile Bravada
- 2005-2008 Saab 9-7X

with 4.2L Engine Only (VIN S - RPO LL8)

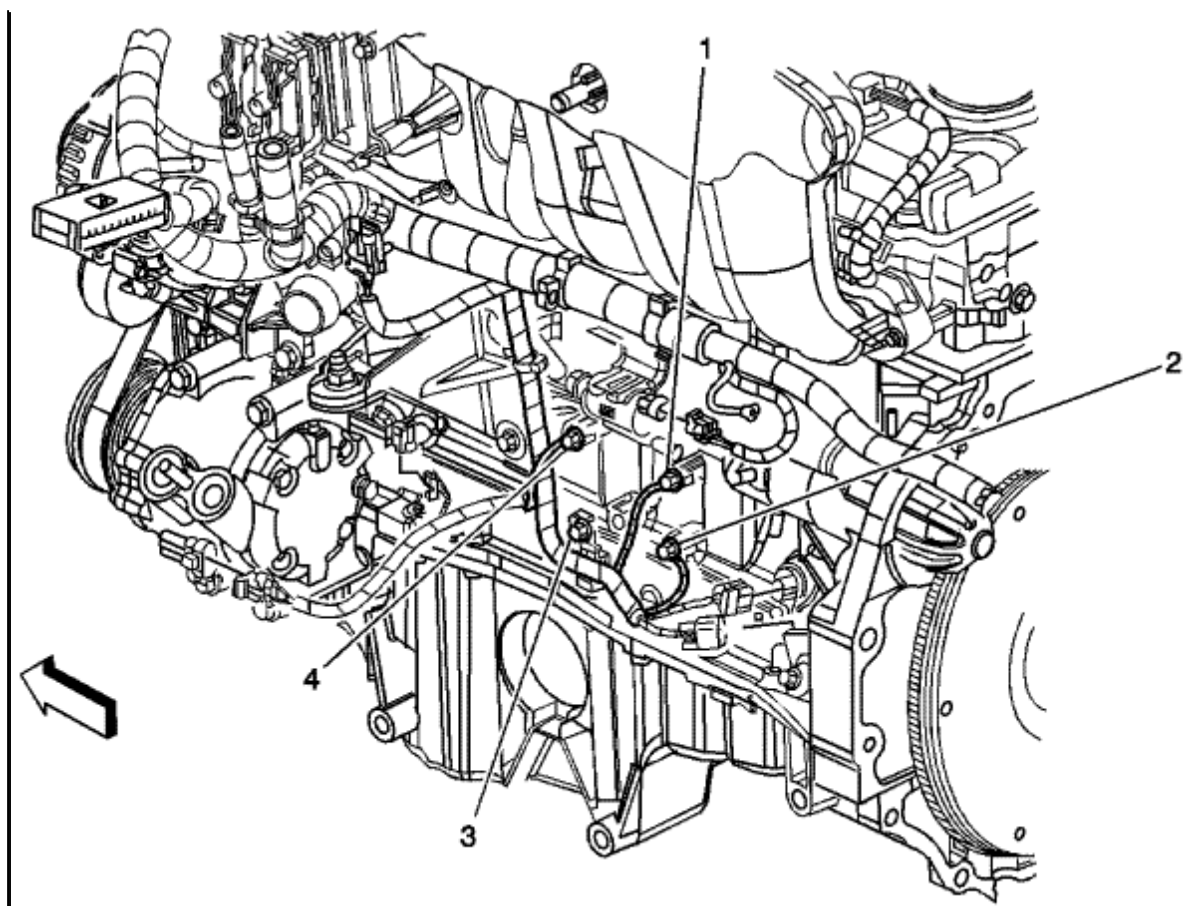
Condition

Some customers may comment on erratic operation of the speedometer. Others may comment that the speedometer needle shakes above 96 km/h (60 mph).

Cause

This condition may be caused by a loose or poor connection at Powertrain Control Module/[Engine Control Module](#) (PCM/ECM) ground G108.

Correction



Zoom

Sized for Print

Technicians are to inspect and repair ground G108 as necessary. Refer to callout 1 in the illustration above for the location of G108. Refer to the Testing for Intermittent Conditions and Poor Connections and the Wiring Repair procedures in SI for more information.

Warranty Information (excluding Saab U.S. Models)



Labor Operation	Description	Labor Time	Failure Code
N6620	Wiring And/Or Connector-Power & Grounds Distribution - Repair Or Replace	Use Published Labor Operation Time	93 (Technical Service Bulletin)*

*Please use the Failure Code 93 for any warranty claims submitted using this bulletin.

[Zoom](#)

[Sized for Print](#)

For vehicles repaired under warranty, use the table.

Warranty Information (Saab U.S. Models)


Labor Operation	Description	Failed Object	Fault/Reason Code	Location Code	Warranty Type	Repair/Action Code	Labor Time
3714901	Wiring And/Or Connector-Power & Grounds Distribution - Repair Or Replace	37149	15	0	01	05 (Repair) Or 01 (Replace)	Use Published Labor Operation Time

[Zoom](#)

[Sized for Print](#)

For vehicles repaired under warranty, use the table.

GM bulletins are intended for use by professional technicians, NOT a "do-it-yourselfer". They are written to inform these technicians of conditions that may occur on some vehicles, or to provide information that could assist in the proper service of a vehicle. Properly trained technicians have the equipment, tools, safety instructions, and know-how to do a job properly and safely. If a condition is described, DO NOT assume that the bulletin applies to your vehicle, or that your vehicle will have that condition. See your GM dealer for information on whether your vehicle may benefit from the information.



WE SUPPORT VOLUNTARY TECHNICIAN CERTIFICATION

[Zoom](#)

[Sized for Print](#)

Disclaimer

© 2009 ALLDATA LLC. All rights reserved.
[Terms of Use](#)