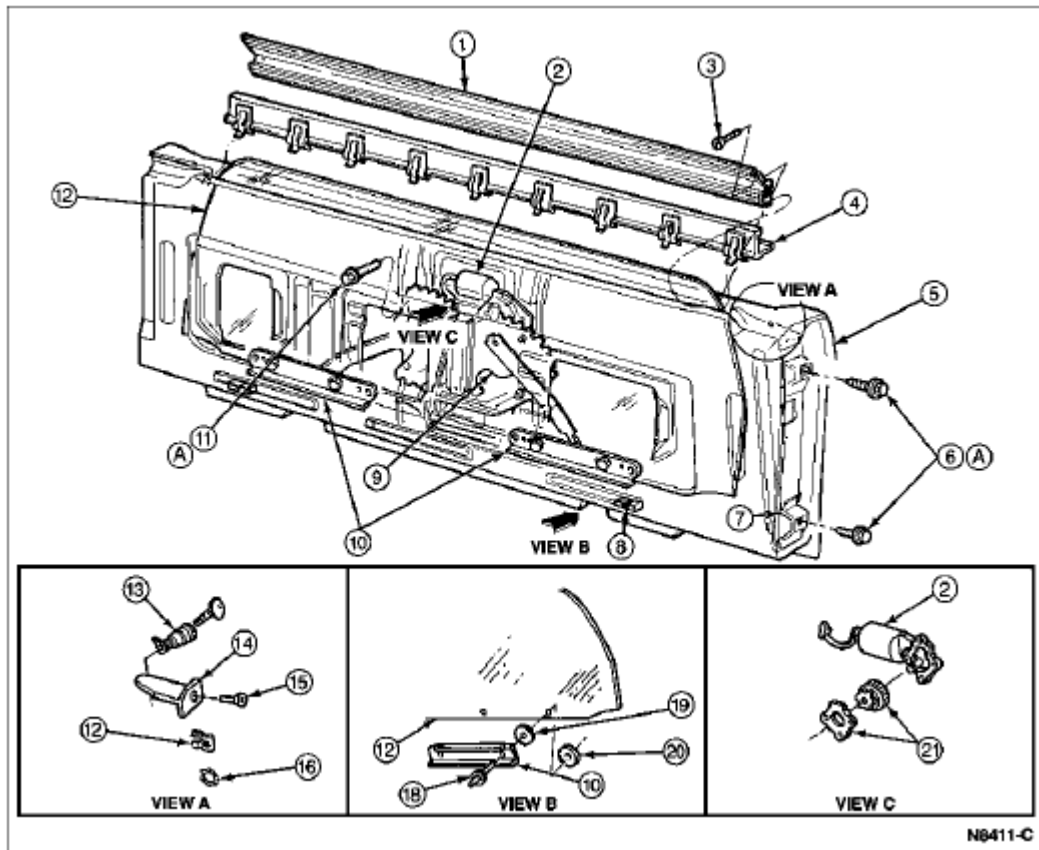


Window, Tailgate

Removal

1. Open tailgate.
2. Remove inside cover access panel and retaining screws.
3. Remove inside cover panel support and retaining screws.
4. Remove inside cover watershield.

Tailgate, Bronco



Item	Part Number	Description
------	-------------	-------------

1	41610	Outside Weatherstrip, Tailgate
2	23394	Window Regulator Electric Drive
3	380642-S	Screw, Outside Weatherstrip-to-Tailgate
4	42072	Inside Weatherstrip, Tailgate
5	40700	Tailgate
6	57472-S2	Bolt, Back Window Glass Run-to-Tailgate
7	422A20	Back Window Glass Run
8	387392-S	Bumper
9	44000	Tailgate Window Regulator
10	422B18	Back Window Glass Bracket
11	57472-S2	Bolt, Tailgate Window Regulator-to-Tailgate (4 Req'd)
12	42006	Back Window Glass
13	43505	Lock Cylinder, Tailgate
14	41616	Upper Corner Seal, Tailgate
15	376389-S	Screw, Tailgate Upper Corner Seal-to-Tailgate
16	14559	Clip, Window Regulator Switch Retainer
17	43629	Retainer, Tailgate Lock Cylinder
18	385323-S	Rivet, Back Window Glass Bracket-to-Back Window Glass
19	234A44	Door Window Glass Bracket Spacer
20	234A46	Door Window Glass Channel Bracket Retainer
21	234A24	Window Regulator Drive Gear Kit
A	—	Tighten to 6-11 Nm (53-97 Lb-Ft)

5. Manually close both tailgate latches and raise the tailgate glass.
6. Remove four nuts retaining tailgate back window glass (42006) and back window glass bracket (422B18) to back window regulator.
7. If tailgate has heated glass option, disconnect two terminals (driver's side).
8. Grind off four rivets, two on each back window glass bracket to tailgate glass. Punch out four rivets and remove four door window glass channel bracket retainers (234A46) and door window glass bracket spacers (234A44).
9. Remove screws and pull out tailgate upper corner seal assemblies, one on each side.
10. Snap out inside and outside tailgate weatherstrips with tool.
11. Slide tailgate back window glass out from tailgate assembly.

Installation

1. Slide glass midway into tailgate assembly.
2. Connect heated glass wires, if equipped.
3. Install back window glass bracket C-channels onto the tailgate window regulator arm slide guides.
4. Position tailgate back window glass over back window glass bracket C-channel studs and install four door window glass bracket spacers, door window glass channel bracket retainers and rivets.
5. Lower tailgate back window glass to connect heated glass wiring terminals.
6. Close tailgate and cycle tailgate back window glass to ensure smooth operation.
7. Install watershield.
8. Install inside cover panel support (one screw).
9. Install ten inside cover access panel screws.
10. Close door and cycle tailgate back window glass to ensure proper function.