

2003 MDX - Center Console Removal/Installation

Special Tools Required

- KTC trim tool set SOJATP2014

NOTE:

- Use the appropriate tool from the KTC trim tool set to avoid damage when prying components.
- Take care not to scratch the front seat, dashboard, and related parts.

1. Remove the console panel (A).

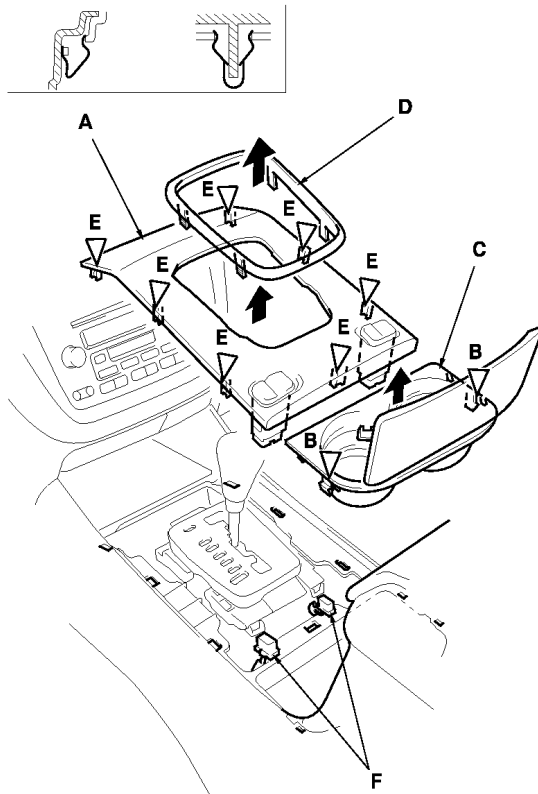
-1 Detach the clips (B) by pulling the beverage holder (C) up, then remove it.

-2 Remove the shift indicator trim ring (D).

-3 Gently detach the clips (E), then remove the console panel.

Fastener Locations

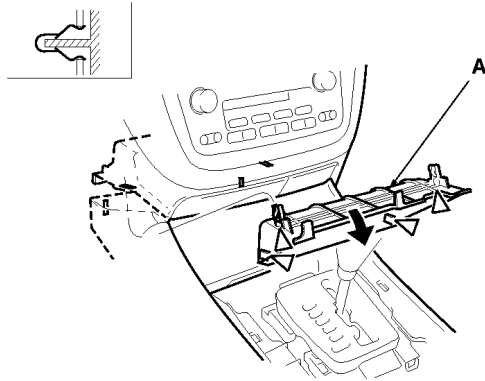
B ▷ : Clip, 2 E ▷ : Clip, 7



2. Without rear entertainment system: Detach the clips by hand, and remove the center panel lower trim (A).

Fastener Locations

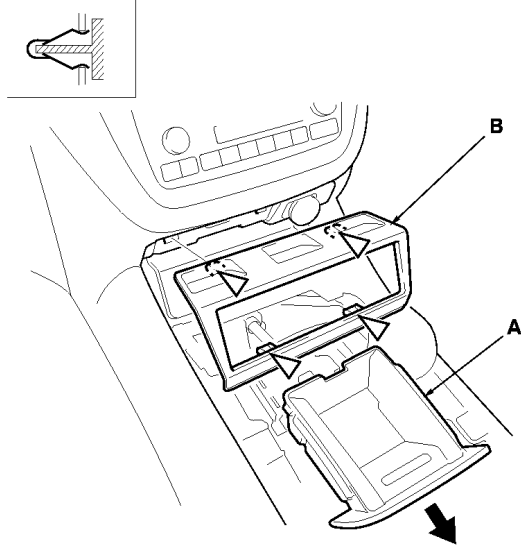
▷ : Clip, 4



3. With rear entertainment system: Remove the coin pocket (A). Pull the DVD panel (B) out to detach the clips, then remove the panel.

Fastener Locations

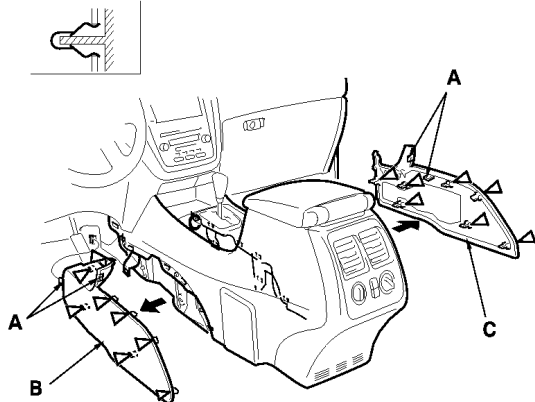
▷ : Clip, 4



4. Detach the clips and release the hooks (A), then remove the driver's console side trim (B) and passenger's console side trim (C).

Fastener Locations

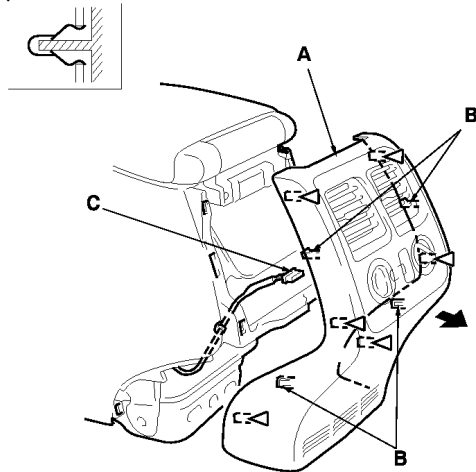
▷ : Clip, 15



5. Gently pull out the console rear trim (A) to detach the clips and to release the hooks (B), then disconnect the rear heater-A/C passenger's control panel-unit connector (C).

Fastener Locations

▷ : Clip, 6



6. Remove the center console (A):

- 1 On both sides, remove the bolts (B) and screws (C).
- 2 Detach the harness clip (D).
- 3 Pull the center console back to detach the clips (E).
- 4 While lifting up on the console, disconnect the accessory socket subharness connector (F), and remove the console.

7. Install the center console in the reverse order of removal, and note these items:

- Replace any damaged clips.
- Make sure all the connectors are plugged in properly.
- Push the clips into place securely.

Fastener Locations

B ▶ : Bolt, 2 C ▶ : Screw, 6 E ▷ : Clip, 2

