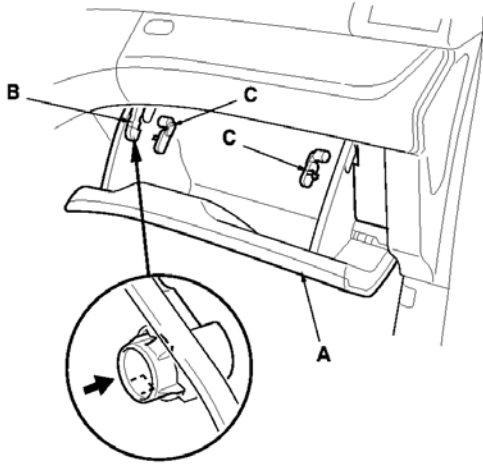


2006 ODYSSEY - Lower Glove Box Removal/Installation

SRS components are located in this area. Review the SRS component locations and the precautions and procedures before performing repairs or service.

NOTE: Take care not to scratch the dashboard and related parts.

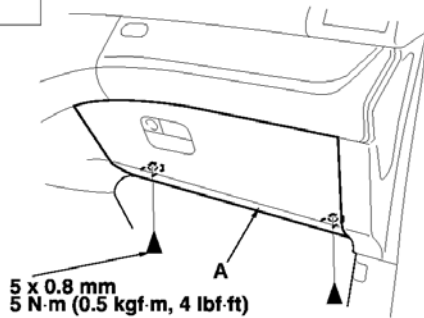
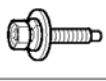
1. While holding the lower glove box (A), release the damper (B) and remove the glove box stop (C) on each side.



2. Remove the bolts, then remove the lower glove box (A).
3. Install the lower glove box in the reverse order of removal.

Fastener Locations

▶ : Bolt, 2



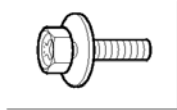
2006 ODYSSEY - Lower Glove Box Damper Removal/Installation

NOTE: Take care not to scratch the dashboard and related parts.

1. Remove the lower glove box.
2. Remove the bolt and lower glove box damper (A).
3. Install the damper in the reverse order of removal.

Fastener Location

▶ : Bolt, 1



5 x 0.8 mm
4 N·m
(0.4 kgf·m, 3 lbf·ft)

