

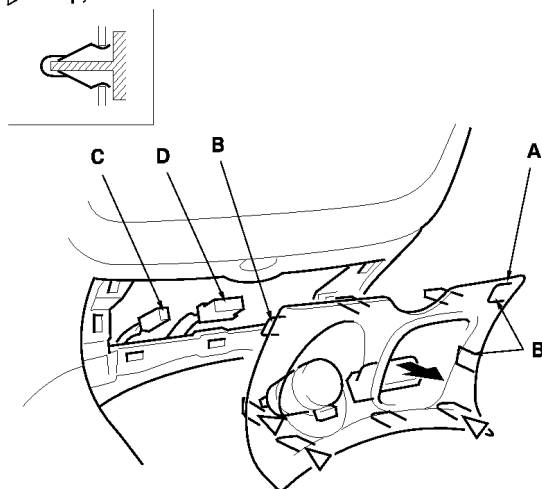
2002 RSX - Dashboard Center Lower Cover Removal/Installation

NOTE:

- When prying with a flat-tip screwdriver, wrap it with protective tape, and apply protective tape around the related parts, to prevent damage.
 - Take care not to scratch the dashboard and related parts.
1. Remove the dashboard center lower cover (A).
 - 1 Gently pull out the cover to release the clips and hooks (B).
 - 2 If equipped, disconnect the accessory power socket connector (C) and seat heater switch connector (D).
 2. Install the cover in the reverse order of removal, and if equipped, make sure the accessory power socket connector and seat heater switch connector are plugged in properly.

Fastener Locations

▷ : Clip, 3

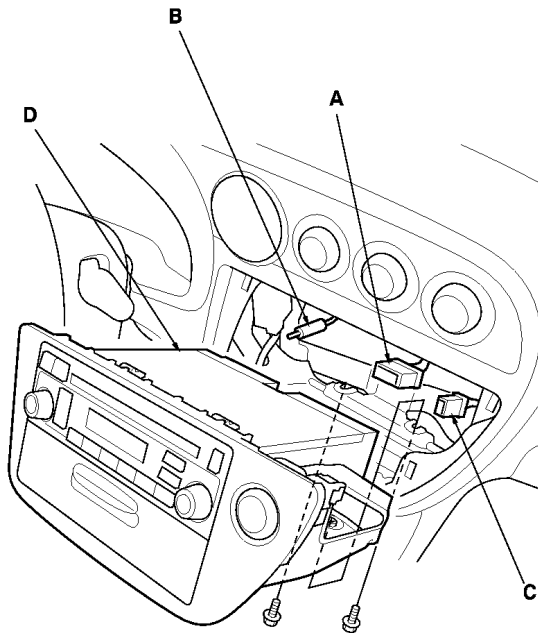


2002 RSX - Audio Unit Removal/Installation

Without BOSE Sound System

NOTE:

- Put on gloves to protect your hands.
 - Take care not to scratch the dashboard and related parts.
1. Make sure you have the anti-theft code for the radio, then write down the frequencies for the radio's preset buttons.
 2. Remove the dashboard center lower cover.
 3. Remove the two mounting bolts, then remove the center panel.
 4. Disconnect the audio unit connector (A), antenna lead (B) and hazard warning switch connector (C), then remove the audio unit (D).



5. Remove the four mounting bolts and the audio unit from the audio bracket.
6. Install the audio unit in the reverse order of removal, and note these items:
 - Make sure the audio unit and hazard warning light switch connectors are plugged in properly, and the antenna lead is connected properly.
 - Enter the anti-theft code for the radio, then enter the customer's radio station presets.

