

2005 CIVIC - Center Console Removal/Installation

Special Tools Required

- KTC trim tool set SOJATP2014

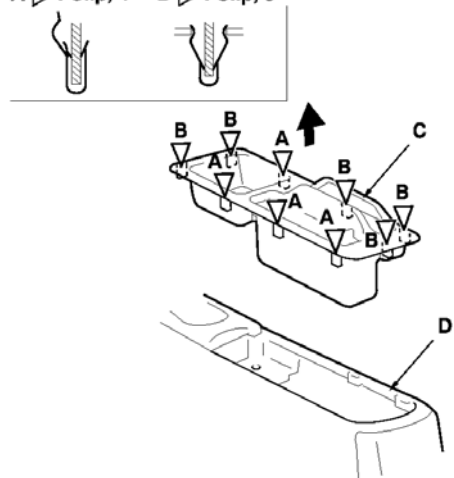
Without Console Armrest

NOTE:

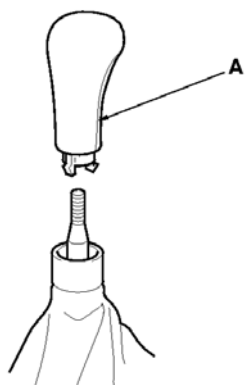
- Use the appropriate tool from the KTC trim tool set to avoid damage when prying components.
 - Take care not to scratch the front seat, dashboard, and related parts.
1. Detach the clips (A, B) by pulling the center console box (C) up, and removing it from the center console (D).

Fastener Locations

A ▷ : Clip, 4 B ▷ : Clip, 5



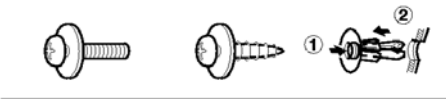
2. M/T model: Remove the shift knob (A).



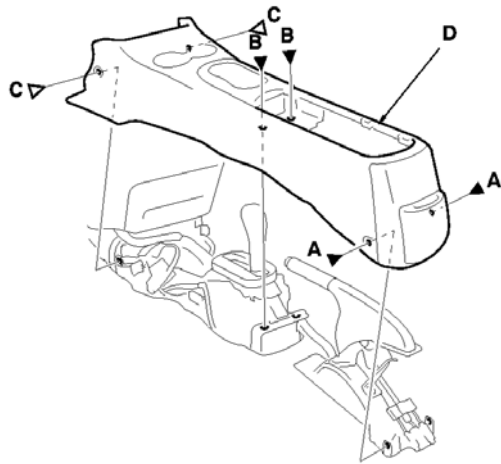
3. Remove the screws (A, B) and clips (C), and remove the center console (D).
4. Install the console in the reverse order of removal, and note these items:
 - Replace any damaged clips.
 - Push the clips into place securely.

Fastener Locations

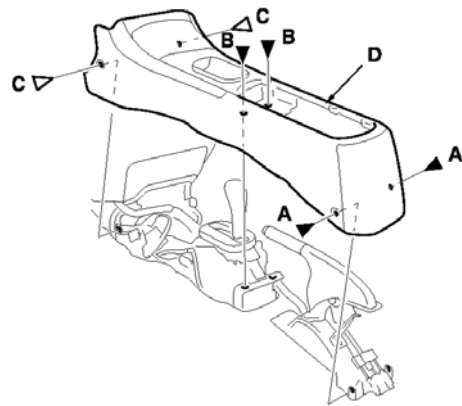
A ▶ : Screw, 2 B ▶ : Screw, 2 C ▷ : Clip, 2



Without console beverage holder lid



With console beverage holder lid

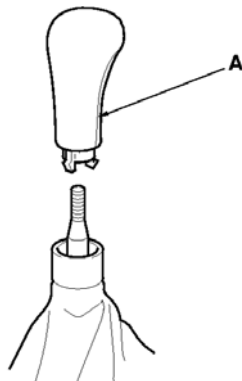


With Console Armrest

NOTE:

- Use the appropriate tool from the KTC trim tool set to avoid damage when prying components.
- Take care not to scratch the front seat, dashboard, and related parts.

1. M/T model: Remove the shift knob (A).

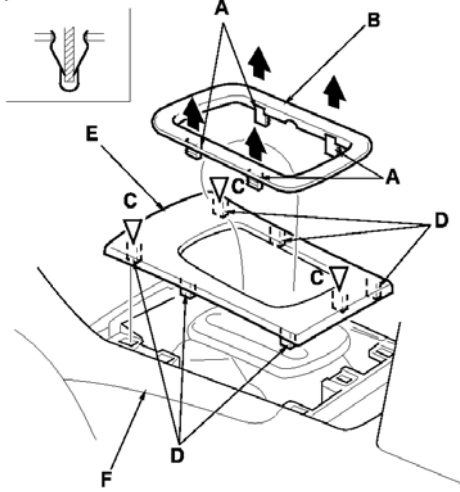


2. Gently release the hooks (A), then remove the A/T gear position indicator panel trim (B) (A/T model). Detach the clips (C, D) by pulling the center console trim (E) up, and remove it from the center console (F).

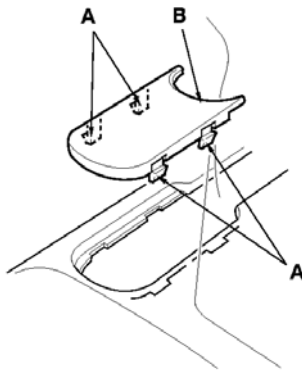
3. Remove the dashboard center lower cover

Fastener Locations

C ▷ : Clip, 3



4. Gently detach the hooks (A), then remove the parking brake lever trim (B).



5. Remove the center console (A).

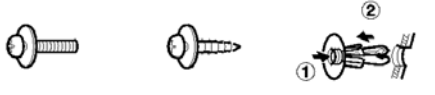
- 1 Open the armrest.
- 2 Remove the console rear box mat (B).
- 3 Remove the screws (C, D) and clips (E).
- 4 Detach the clips (F).

6. Install the console in the reverse order of removal, and note these items:

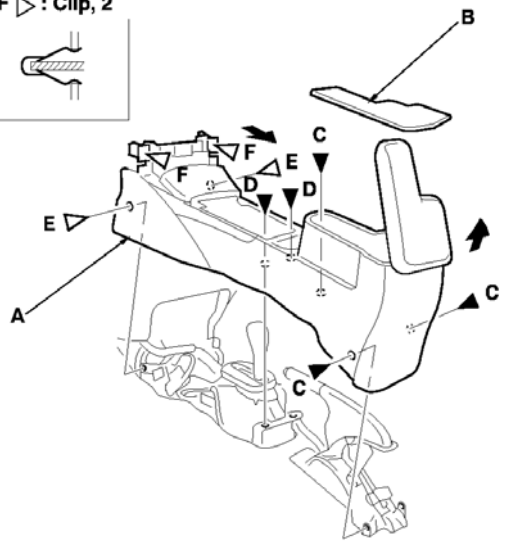
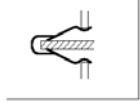
- Replace any damaged clips.
- Push the clips into place securely.

Fastener Locations

C ▶ : Screw, 3 **D** ▶ : Screw, 2 **E** ▶ Clip, 2



F ▶ : Clip, 2



2005 CIVIC - A/T Shift Lever Disassembly/Reassembly

