

1 1 11-11



## Service Information Bulletin

SUBJECT	DATE
SPN 3363/FMI 5	January 2011

### Additions, Revisions, or Updates

Publication Number / Title	Platform	Section Title	Change
DDC-SVC-MAN-0084	EPA10 DD	SPN 3363/FMI 5	Step 4 has modified procedures for checking pins 1, 2, 3, and 4 of the coolant valve harness connector.



13400 Outer Drive, West, Detroit, Michigan 48239-4001  
 Telephone: 313-592-5000  
[www.detroitdiesel.com](http://www.detroitdiesel.com)

## 2 SPN 3363/FMI 5 - EPA10

This diagnostic is typically Diesel Exhaust Fluid (DEF) coolant valve circuit failed open.

SPN 3363/FMI 5	
Description	DEF coolant valve Circuit Failed Open
Monitored Parameter	DEF coolant valve
Typical Enabling Conditions	Always Enabled
Monitor Sequence	None
Execution Frequency	Always Enabled
Typical Duration	2 Seconds
Dash Lamps	MIL, CEL
Engine Reaction	Derate 10%
Verification	Engine Idle (1 minute)

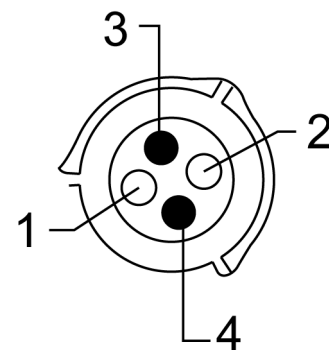
1. Disconnect the DEF coolant valve connector.
2. Inspect the sensor harness for bent, spread, or corroded pins.
  - a. If the pins are bent, spread, or corroded, repair as necessary.
  - b. If connector shows no signs of damage, Go to step 3.
3. Turn the ignition ON (key ON, engine OFF).
4. Using the appropriate table below based on DEF tank size, measure for proper voltage as listed.

13/23 Gallon DEF Tank	
DEF Coolant Valve Harness Connector	Voltage
Pin 4 and ground	> 11.5 volts
Pin 1 and ground	Approx 2.50 +/- 0.25
6 Gallon DEF Tank	
DEF Coolant Valve Harness Connector	Voltage
Pin 1 and ground	> 11.5 volts
Pin 3 and ground	Approx 2.50 +/- 0.25

The diagram shows a circular connector with four pins. Pin 1 is on the left, pin 2 is on the right, pin 3 is at the top, and pin 4 is at the bottom. Each pin is connected to a terminal in the connector housing.

- a. If voltage is within range, Go to step 5.
  - b. If voltage is not within range, repair wire between DEF coolant valve harness connector and the ACM2.
5. Turn the ignition OFF.
6. Disconnect the ACM2 120-pin connector.
7. Using the appropriate table below based on DEF tank size, measure the resistance between the DEF coolant valve harness connector and the ACM2.

13/23 Gallon DEF Tank		
DEF Coolant Valve Harness Connector	ACM 120-Pin Connector	Acceptable Resistance
Pin 1	Pin 8	< 3 ohms
Pin 1	Pin 34	< 3 ohms
6 Gallon DEF Tank		
DEF Coolant Valve Harness Connector	ACM 120-Pin Connector	Acceptable Resistance
Pin 3	Pin 8	< 3 ohms
Pin 3	Pin 34	< 3 ohms



- a. If resistance is within range, replace the DEF coolant valve.
- b. If resistance is not within range, repair wire between DEF coolant valve harness connector and the ACM2.