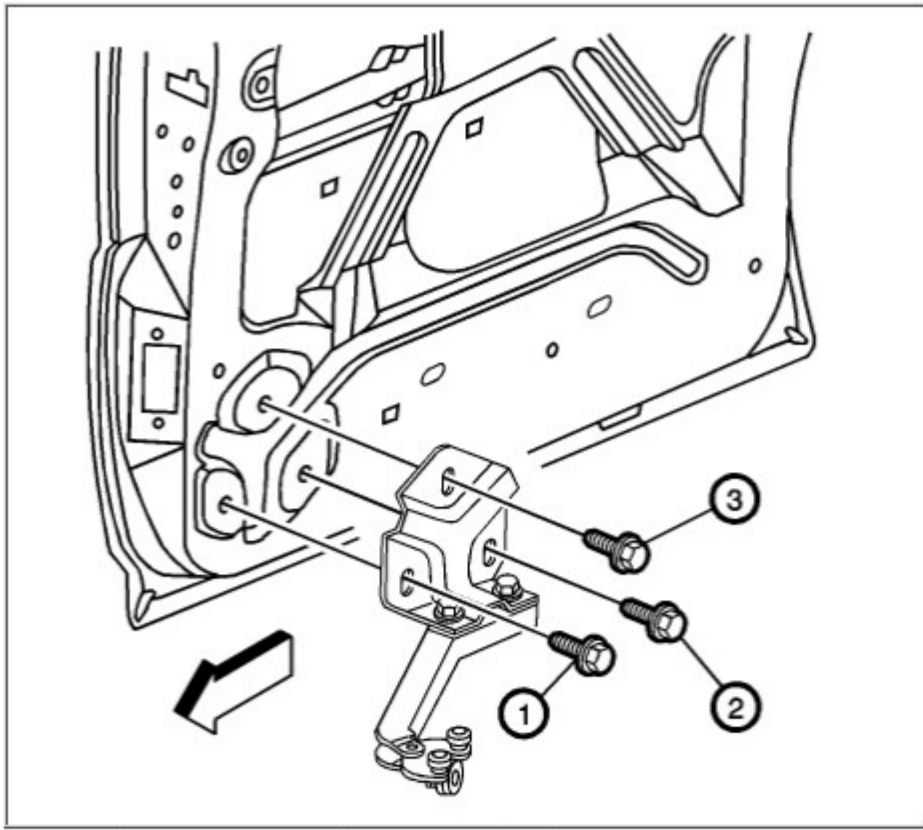


DOOR ADJUSTMENT - SLIDING (MANUAL OR POWER)

IN AND OUT ADJUSTMENTS

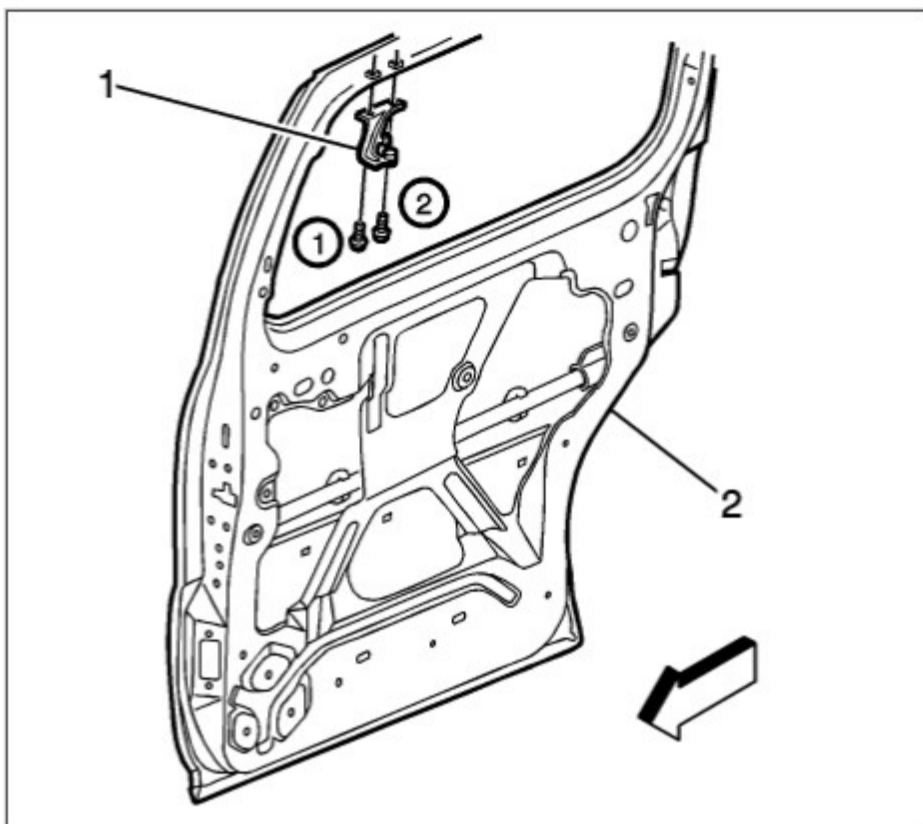
1. If equipped with a power sliding door, disable the PSD system by removing the PSD **15A** fuse from the instrument panel (I/P) fuse block. **IMPORTANT:** By removing the power sliding door (PSD) **15A** fuse, the low current logic power for both the LH and RH [power sliding door modules](#) (PSDM) will be interrupted and both PSDs will be inoperative.
2. Remove the sliding door finish molding. **IMPORTANT:** When adjusting either the manual or the power sliding door, loosen only one bolt at a time on the sliding door lower roller bracket and the sliding door center roller bracket. Failure to loosen one bolt at a time may result in a complete loss of sliding door alignment.



Zoom

Sized for Print

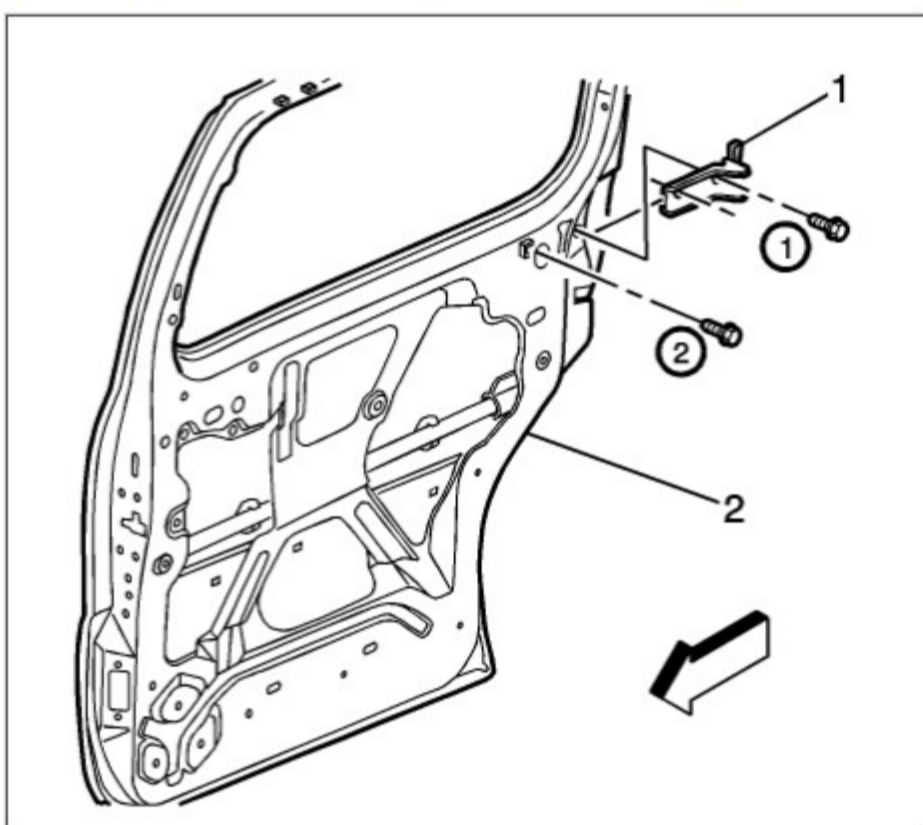
3. Remove the sliding door [trim panel](#).
4. Loosen the 2 vertical sliding door lower roller bracket bolts.
5. Loosen the sliding door lower bracket bolts.
6. Adjust the front edge of the sliding door in or out as needed.
7. Tighten the loosened sliding door lower bracket bolts. **NOTE:** Refer to Fastener Notice in Service Precautions. Tighten the vertical bolts to **25 N.m (18 lb ft)**.



Zoom

Sized for Print

8. Loosen the sliding door upper roller bracket (1) bolts.
9. Adjust the upper door in or out. Tighten the bolts, as sequenced, to **25 N.m (18 lb ft)**.



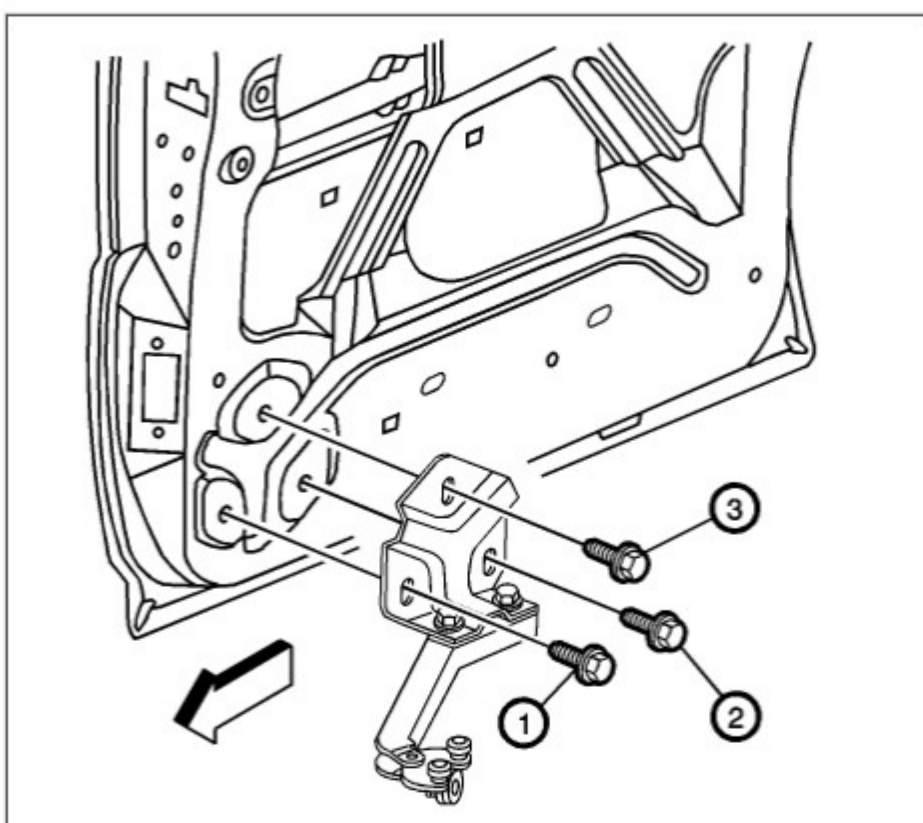
Zoom

Sized for Print

10. Loosen the sliding door center roller bracket (1) bolts.
11. Adjust the rear edge of the sliding door in or out as needed.
12. Tighten the loosened sliding door center roller bracket bolts. Tighten the bolts to **25 N.m (18 lb ft)**.
13. Install the sliding door [trim panel](#).
14. Install the plastic plugs on the lower front sliding door inner [trim panel](#) in order to cover the sliding door lower roller bracket bolts.
15. Install the sliding door finish molding.
16. If equipped with a power sliding door, enable the PSD system by installing the PSD **15A** fuse into the I/P fuse block. **IMPORTANT:** By installing the **15A** fuse, the low current logic power will be restored to both the LH and RH PSDMs and the PSDs will be operational. However, both PSDMs will have to learn the full open and full closed positions of the PSD. Refer to Actuator Control Module - Power Sliding Door (PSD) Programming and Setup.

UP AND DOWN ADJUSTMENT PROCEDURE

1. If equipped with a power sliding door, disable the PSD system by removing the PSD **15A** fuse from the instrument panel (I/P) fuse block. **IMPORTANT:** By removing the power sliding door (PSD) **15A** fuse, the low current logic power for both the LH and RH [power sliding door modules](#) (PSDM) will be interrupted and both PSDs will be inoperative.



Zoom

Sized for Print

2. Remove the lower front plastic plugs on the sliding door inner [trim panel](#) in order to access the sliding door lower roller bracket to door bolts. **IMPORTANT:** When adjusting either the manual or the power sliding door, loosen only one bolt at a time on the sliding door lower roller bracket and the sliding door center roller bracket. Failure to loosen one bolt at a time may result in a complete loss of sliding door alignment.
3. Remove the close-out panel on the center rear of the sliding door inner [trim panel](#) in order to access the sliding door center roller bracket bolts.
4. Loosen the sliding door lower roller bracket bolt.
5. Adjust the front edge of the sliding door up or down as needed.
6. Tighten the loosened sliding door lower roller bracket to door bolts. **NOTE:** Refer to Fastener Notice in Service Precautions. Tighten the bolts in sequence, as shown, to **25 N.m (18 lb ft)**.
7. Loosen the sliding door center roller bracket bolt.
8. Adjust the rear edge of the sliding door up or down as needed.
9. Tighten the loosened sliding door center roller bracket bolt. Tighten the bolt to **25 N.m (18 lb ft)**.
10. Install the close-out panel on the center rear of sliding door inner [trim panel](#) in order to cover the sliding door center roller bracket bolts.
11. Install the plastic plugs on the lower front sliding door inner [trim panel](#) in order to cover the sliding door lower roller bracket bolts.
12. If equipped with a power sliding door, enable the PSD system by installing the PSD **15A** fuse into the I/P fuse block. **IMPORTANT:** By installing the **15A** fuse, the low current logic power will be restored to both the LH and RH PSDMs and the PSDs will be operational. However, both PSDMs will have to learn the full open and full closed positions of the PSD. Refer to Actuator Control Module - Power Sliding Door (PSD) Programming and Setup.