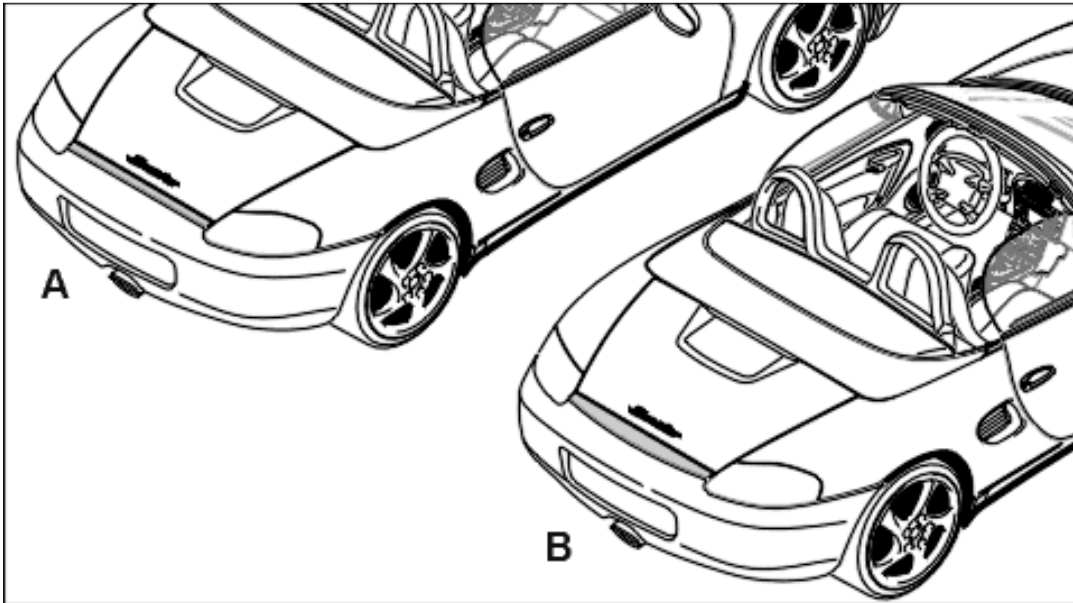


66 58 19 Removing and installing rear spoiler

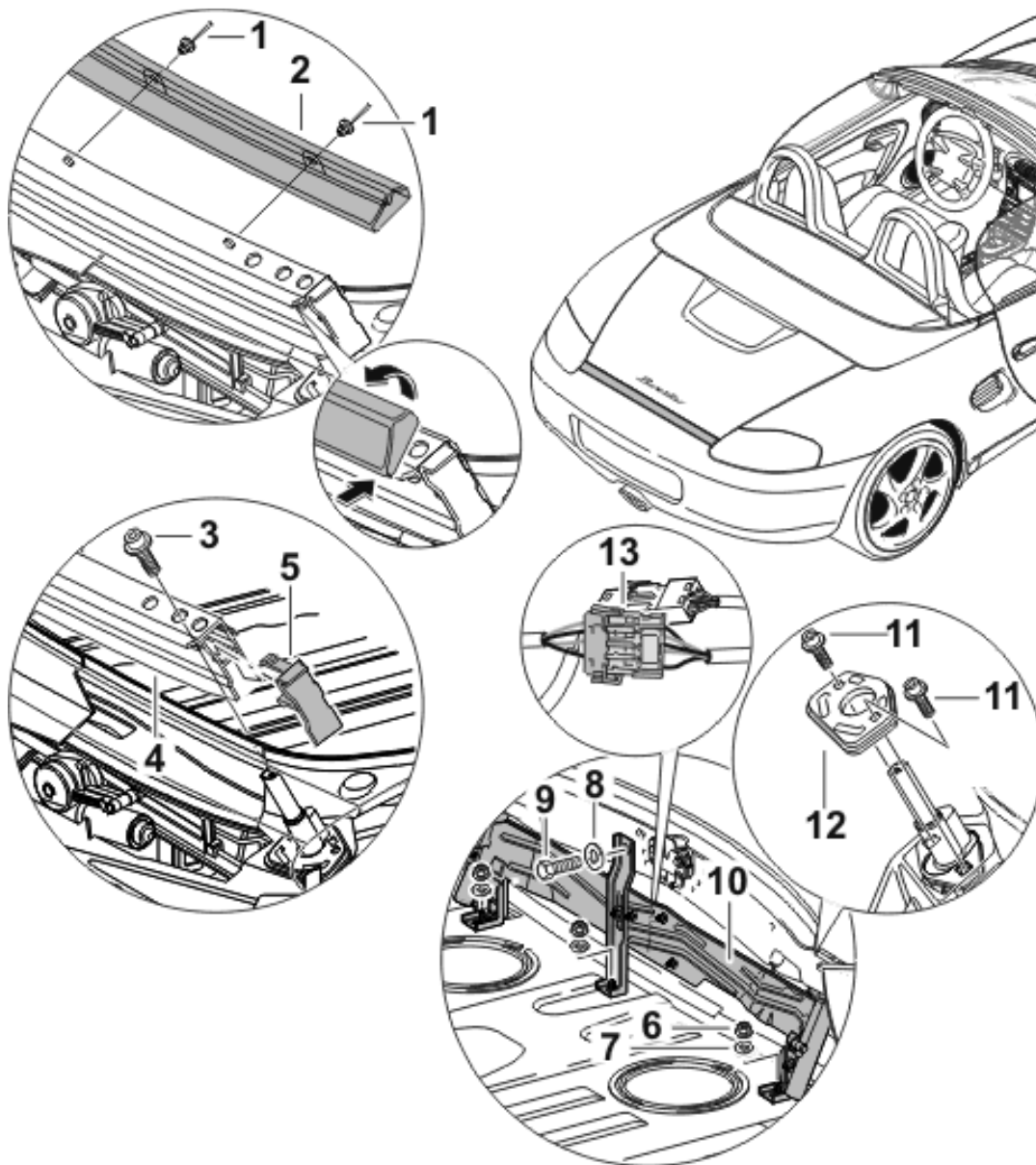
- Removing and installing rear spoiler - up to model year 2002
- Removing and installing rear spoiler as of model year 2003
- Replacing elevating element
- Test and adjusting values



A Until model year 2002

B As of model year 2003

Removing and installing rear spoiler - up to model year 2002

**WARNING**

Danger of accident!

- Ⓢ **If the rear spoiler cannot be extended, the driving stability will be impaired due to the increased rear axle lift.**

To remove the rear spoiler drive, the rear spoiler must be extended manually by means of the rocker switch in the passenger compartment and with the ignition switched on.

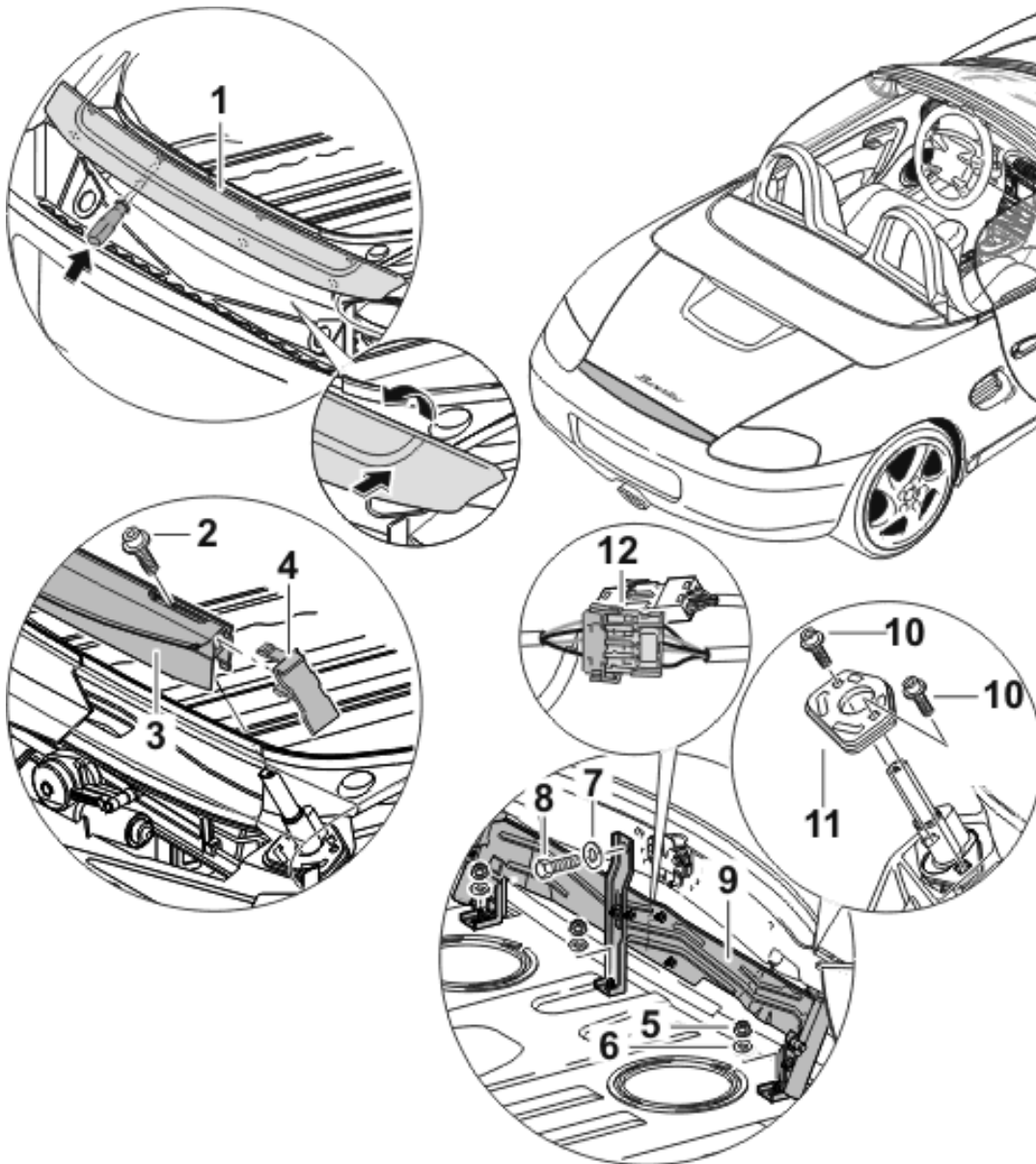
No.	Designation	Qty.	Removal	Installation
1	Plastic expanding rivet	2	Press pin out of the plastic expanding rivet.	Press in plastic expanding rivet and secure with the pin.

2	Removing upper part of the spoiler	1		→ 5 Gap dimensions, body rear
3	Fastening screws	2	Unscrew.	Micro-encapsulated. Screw in. Tightening torque: 10 Nm (7.5 ftlb.)
4	Removing lower part of the spoiler	1		→ 5 Gap dimensions, body rear
5	Side cover	2	Unclip.	Clip in.

Retract rear spoiler.

No.	Designation	Qty.	Removal	Installation
6	Fastening nuts	3		Tightening torque: 10 Nm (7.5 ftlb.)
7	Washers	3		
8	Fastening screw	1		Tightening torque: 10 Nm (7.5 ftlb.)
9	Washer	1		
10	Drive carrier	1		
11	Fastening screws	4		Tightening torque: 10 Nm (7.5 ftlb.)
12	Fastening plate	2		
13	Electrical plug connection	1	Disconnect.	Connect.

Removing and installing rear spoiler as of model year 2003



WARNING

Danger of accident!

- ⊗ **If the rear spoiler cannot be extended, the driving stability will be impaired due to the increased rear axle lift.**

To remove the rear spoiler drive, the rear spoiler must be extended manually by means of the rocker switch in the passenger compartment and with the ignition switched on.

Retract rear spoiler.

No.	Designation	Qty.	Removal	Installation
1	Removing upper part of	1	Hold lug of upper part of	Clip in.

	the spoiler		spoiler pressed in with a screwdriver through the openings on the lower part of spoiler and lift the upper part of spoiler up and off.	→ 5 Gap dimensions, body rear
2	Fastening screws	2	Unscrew.	Screw in micro-encapsulated. Tightening torque: 10 Nm (7.5 ftlb.)
3	Removing lower part of the spoiler	1		→ 5 Gap dimensions, body rear
4	Side cover	2	Unclip.	Clip in.

Retract rear spoiler.

No.	Designation	Qty.	Removal	Installation
5	Fastening nuts	3		Tightening torque: 10 Nm (7.5 ftlb.)
6	Washers	3		
7	Fastening screw	1		Tightening torque: 10 Nm (7.5 ftlb.)
8	Washer	1		
9	Drive carrier	1		
10	Fastening screws	4		Tightening torque: 10 Nm (7.5 ftlb.)
11	Fastening plate	2		
12	Electrical plug connection	1	Disconnect.	Connect.

Replacing elevating element

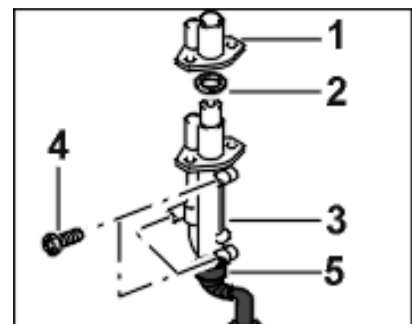
1. Replacing elevating element

Removing elevating element

- => Removing and installing motor for rear spoiler
- Unscrew fastening screws **-4-** from the elevating element **-3-**.
- Remove cover **-1-**, sealing ring **-2-** and water drain hose **-4-**.

Installing elevating element

- Push on cover **-1-**, sealing ring **-2-** and water drain hose **-4-**.
- Position elevating element **-3-** on the carrier and tighten fastening



screws -4- .

f. => Removing and installing motor for rear spoiler

Test and adjusting values

Designation	Dimension		Note
Rear lid to upper part of spoiler	-?-	5 ⁺¹ -0.5 mm	
Upper part of spoiler to rear apron	-?-	3 ⁺¹ mm	

986310, 986311, 986320, 986321, 986330, 986331