

## ISUZU Amigo/Pick-ups/Rodeo/Trooper 1981-1996

### Door Panels

- [REMOVAL & INSTALLATION](#)

## REMOVAL & INSTALLATION

See Figures 1 through 16

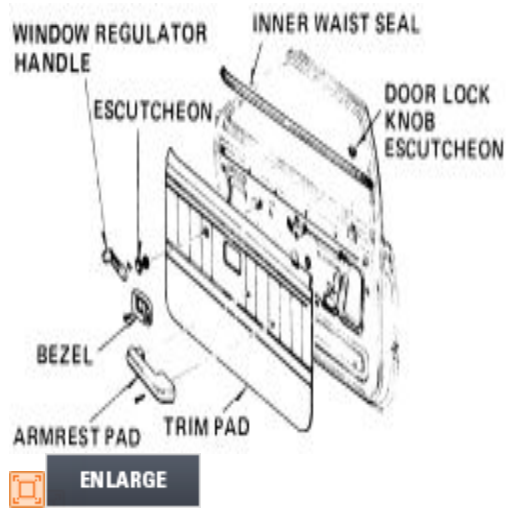
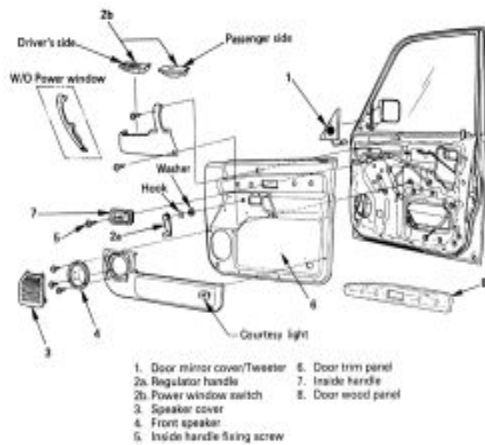


Fig. Fig. 1 : Door panel assembly—early model Pick-up shown (other early models similar)

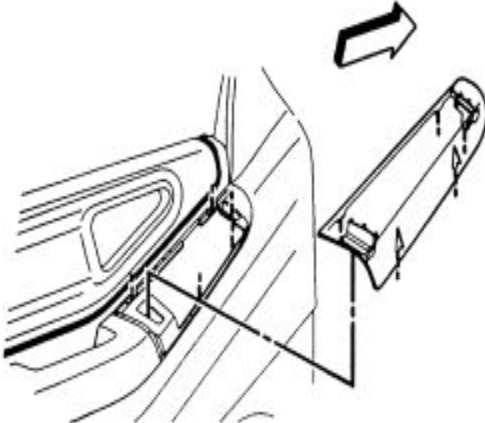


Fig. Fig. 2: Door and panel assembly—later model Pick-up shown (other late models similar)



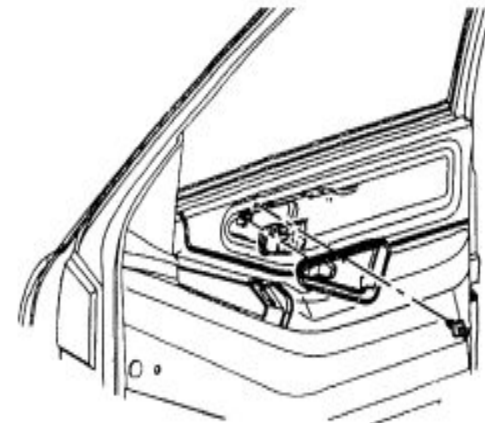
 ENLARGE

Fig. Fig. 3: Door panel assembly-1995-96 Trooper



 ENLARGE

Fig. Fig. 4: On Hombre models, if equipped, remove the accessory switch mounting plate



 ENLARGE

Fig. Fig. 5: Hombre door handle trim panel and retainer screw

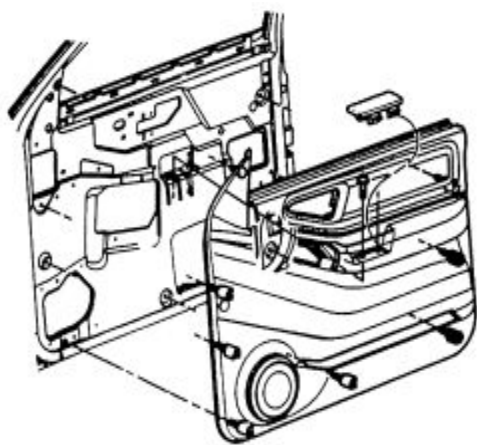


Fig. Fig. 6: Hombre door panel assembly



Fig. Fig. 7: Remove the retainer screws from the bottom of the armrest-1986 Trooper shown



Fig. Fig. 8: With the screws removed from the armrest, detach the armrest from the door panel



 ENLARGE

Fig. Fig. 9: If equipped with an ashtray, remove the ashtray ...



 ENLARGE

Fig. Fig. 10: ... and remove the retainer screws securing the ashtray holder assembly





Fig. Fig. 11: Remove the ashtray holder from the panel and place aside



Fig. Fig. 12: Remove the door handle trim panel retainer screw

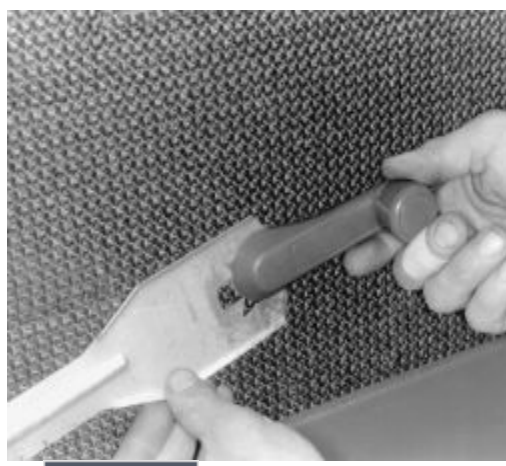


Fig. Fig. 13: Use a suitable window crank removal tool between the crank and door panel ...



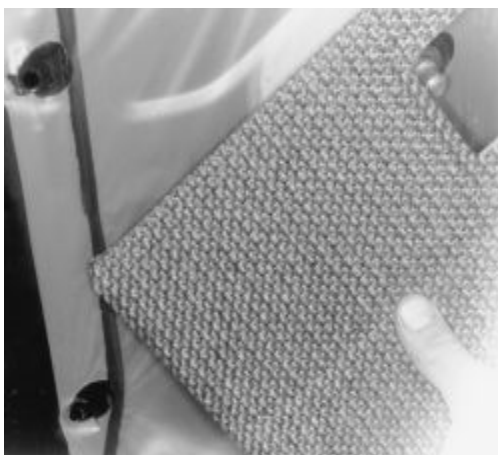
 ENLARGE

Fig. Fig. 14: ... to separate the crank from the window regulator stud



 ENLARGE

Fig. Fig. 15: Insert the crank arm clip to the crank, and remove the washer, then place the pieces aside



 ENLARGE

Fig. Fig. 16: After removing the door panel, inspect the panel clip mounting holes for any clips which may have been left behind



after panel removal

1. Disconnect the negative battery cable.
2. If equipped with an accessory switch panel, carefully pry the switch panel up and away from the door panel. Tag and disconnect the switches from the panel.
3. On 1981–86 models, remove armrest attaching screws.
4. On 1987–96 models, remove the retainer screws secure the pocket in the molded armrest on the door panel.
5. If equipped with crank type windows, remove window crank handle with the appropriate clip removal tool.
6. If equipped with manual remote mirrors, remove the control knob bezel.
7. Remove inside door handle cover attaching screw and trim plate.
8. If equipped with door mounted speakers, remove the speaker, and disconnect the speaker wires. For speaker removal and installation steps, refer to .
9. Remove all external screws securing the door panel. Insert an appropriate prytool between the door panel and door frame to remove the hidden clips securing the panel.
10. Holding door panel vertical lift straight up to release the upper clip.
11. Inspect all retaining clips and replace any broken or missing pieces.

**To install:**

12. Position the door to the door and carefully press on the retainer clips to engage. If a clip will not engage, inspect the mounting hole behind the panel to make sure the clip is properly aligned. Install any panel-to-door retainer screws.
13. If equipped with crank windows, attach the washer and crank to the window regulator stud.
14. On 1981–86 models, attach the armrest to the door using the retainer screws.
15. On 1987–96 models, insert the armrest pocket and secure in place with retainer screws.
16. If equipped with door panel mounted speakers, attach the speaker wires to the speaker and secure the assembly to the door panel.
17. If equipped with remote cable mirrors, attach the control knob to the door panel with the retainer bezel.
18. If equipped with an ashtray, insert the holder assembly, and secure in place with retainer screws. Install the ashtray to the holder assembly.
19. Position the door handle trim panel around the door handle assembly, and secure in place with the retainer screw.
20. If equipped with accessory switch panel, attach the harnesses to the switches, and press the accessory plate into the door panel.
21. Connect the negative battery cable.
22. Check and make sure all panel components function correctly.

[▸ Back to Top](#)