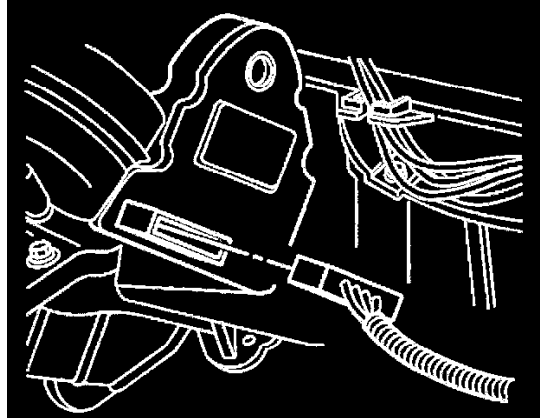
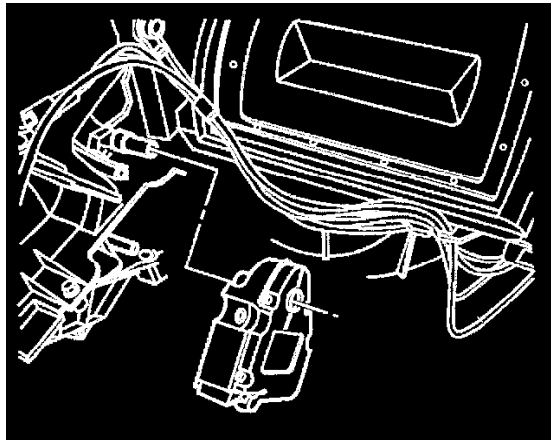


Air Door Actuator / Motor: Service and Repair Temperature Actuator Replacement (RH)

REMOVAL PROCEDURE

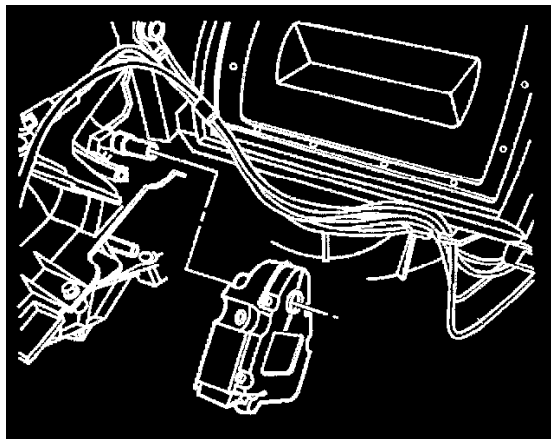


1. Remove the right side instrument panel insulator.
2. Remove the instrument panel compartment.
3. Disconnect the electrical connector from the passenger temperature actuator.



4. Remove the bolts retaining the passenger temperature actuator.
5. Remove the electric actuator.

INSTALLATION PROCEDURE



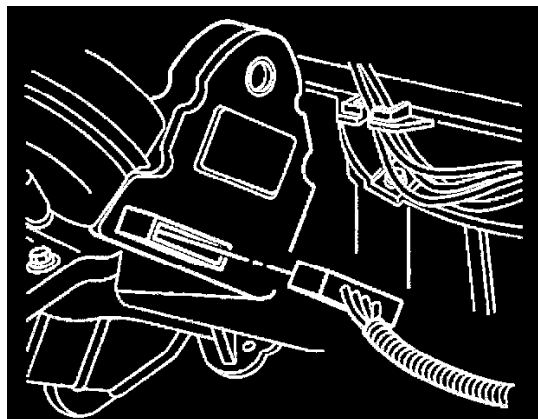
1. Position the temperature actuator, then align the slots in the electric actuator driver to the flats on the temperature valve shaft.
2. Slide the electric actuator driver onto the shaft, while aligning the actuator locating holes to the forward alignment pin on the HVAC module case. The actuator driver should completely seat onto the temperature valve shaft and the mounting holes should be flush with the mounting bosses on the HVAC module case.
3. Install the retaining screws.

NOTE: Refer to Fastener Notice in Service Precautions.

4. Install the bolts to the temperature actuator.

Tighten

Tighten the temperature actuator bolts to **1.5 N.m (13 lb in)**.



5. Connect the electrical connector to the temperature valve electric actuator.
6. Install the instrument panel compartment.
7. Install the right side instrument panel insulator.