

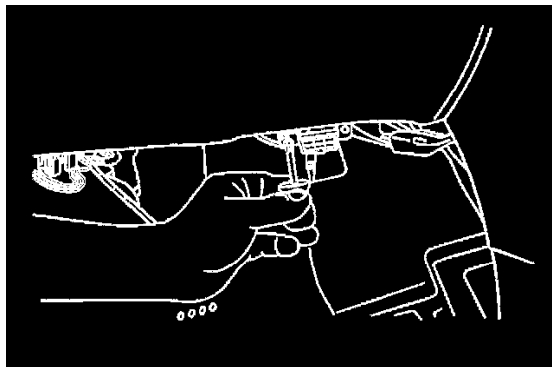
Dashboard / Instrument Panel: Service and Repair

Insulator Replacement - IP (Right)

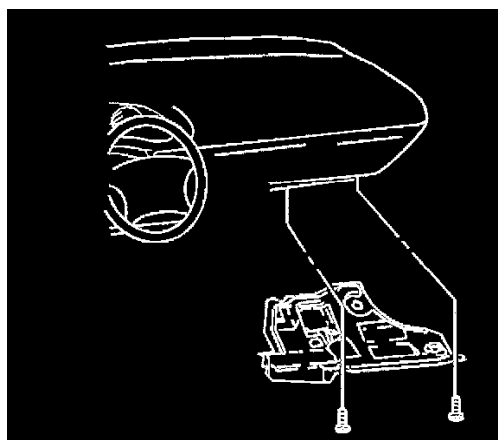
REMOVAL PROCEDURE

TOOLS REQUIRED

J 38778 Door Trim Clip Remover

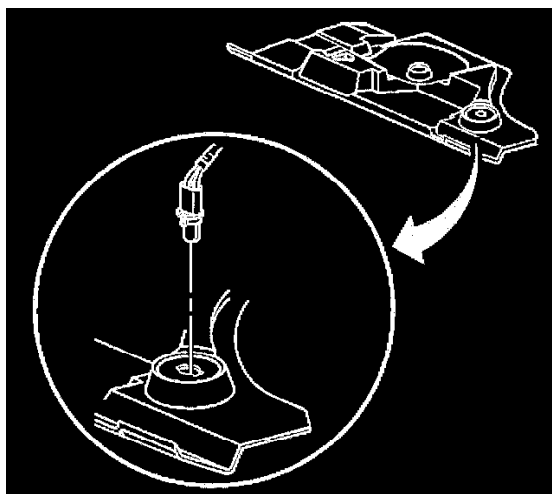


1. Use the J 38778 in order to remove the RH instrument panel insulator retainers.
2. Adjust the carpeting for access



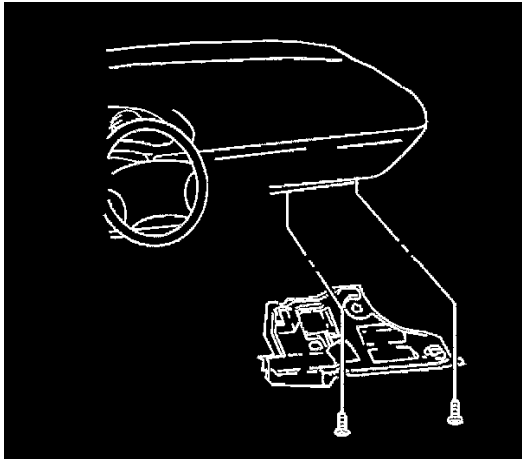
3. Disconnect the courtesy lamp from the instrument panel insulator by turning 1/4 turn counterclockwise.
4. Remove the RH instrument panel insulator.

INSTALLATION PROCEDURE



1. Position the RH instrument panel insulator to the floorpan beneath the instrument panel.
2. Install the courtesy lamp to the instrument panel insulator then rotate 1/4 turn clockwise to secure.

IMPORTANT: Make sure that the RH instrument panel insulator does not block the floor heater outlet.



3. Install the RH instrument panel insulator retainers.
4. Return the carpet to the original position.