

1991 Chevrolet S10 Pickup

WIRING DIAGRAMS 1991 WIRING DIAGRAMS General Motors Corp.

WIRING DIAGRAMS

COMPONENT LOCATOR:

A/C COMP RELAY	E 7
A/D/HEATER SW	D 4
ALDL CONN (2.5L)	C 4
ALDL CONN (2.8L & 4.3L)	D-E 8
ALTERNATOR (2.5L)	B 3
ALTERNATOR (2.8L)	C 3
ALTERNATOR (4.3L)	D 3
ASHTRAY LT (PICK UP)	B 12
BATTERY	A 2
SEAM SELECT SW	B 16
BLOWER SW	D 7
BRAKE SW	E 8
CLUTCH SW (M/T)	B 9
CONVENIENCE CENTER	D-E 16
COURTESY LTS	A-C 17-19
CRUISE CONTROL MODULE	E 11
CRUISE CONTROL SW	E 8
DEFOG TIMER RELAY	C 28
DIGITAL RATIO ADAPTER CONTROLLER (DRAC)	B 23
ELECTRONIC CONTROL MODULE (2.5L)	A 4-7
ELECTRONIC CONTROL MODULE (2.8L & 4.3L)	A 8-11
EVAP PRES CTRL (2.8L & 4.3L)	D 4
FOG LT RELAY	E 30
FOG LT SW	E 28
FRONT AXLE SW	D 20
FUEL PUMP RELAY (2.5L)	B 4
FUEL PUMP RELAY (2.8L & 4.3L)	B 8
FUEL TANK UNIT	D 28
FUSE BLOCK	B-D 13-14
GLOVE BOX LT	B 16
GROUND BUS	C 27
HI BLOWER RELAY	D 6
IGNITION COIL (2.5L)	D 9
IGNITION COIL (2.8L & 4.3L)	D 10
IGNITION SW	E 15
INST CLSTR (DIGITAL)	C-E 23
INST CLSTR (GAUGES)	A 23
JUNCTION BLOCK	A 2
LIGHT SW	D 4
LOW PRES SW (2.5L)	E 18
MIRROR MAP LT	E 18
OIL PRES SW/SENDER (2.5L) (PARTIAL)	C 5
OIL PRES SW/SENDER (2.8L & 4.3L) (PARTIAL)	C 8
PANEL/COURTESY LT SW	A 18
PARK BRAKE SW	E 22
PARK/NEUTRAL SW	A 15
POWER DOOR LOCKS (4 DOOR UTILITY)	A-B 24-27
UP & 2 DOOR UTILITY	A-B 28
POWER MIRRORS	D-E 29-27
POWER WINDOWS (4 DOOR UTILITY)	B-D 24-26
POWER WINDOWS (PICK UP & 2 DOOR UTILITY)	A 29-30
REAR DEFOG SW	D 28
REAR WASHER MOTOR	C 28
REAR WHEEL ANTI-LOCK (RWAL) MODULE	C 20
REAR WINDOW RELEASE CONTROL RELAY	E 24
REAR WINDOW RELEASE SW	E 24
REAR WIPER MOTOR	B 28
REAR WIPER/WASHER SW	C 19
STARTER MOTOR & SOLENOID ASSY	A 3
STOP LT SW	C 17
TCC SOL (2.8L)	D 4
TRAILER CONN	B-C 29
WASHER MOTOR (W/O DELAY)	D 3
WASHER MOTOR (W/ DELAY)	E 2
WIPER MOTOR (W/ DELAY)	E 3
WIPER MOTOR (W/O DELAY)	E 2
WIPER/WASHER SW (W/ DELAY)	E 19
WIPER/WASHER SW (W/O DELAY)	D 19
4WAL EHCU	D-E 20
4WD INDICATOR	D-E 20

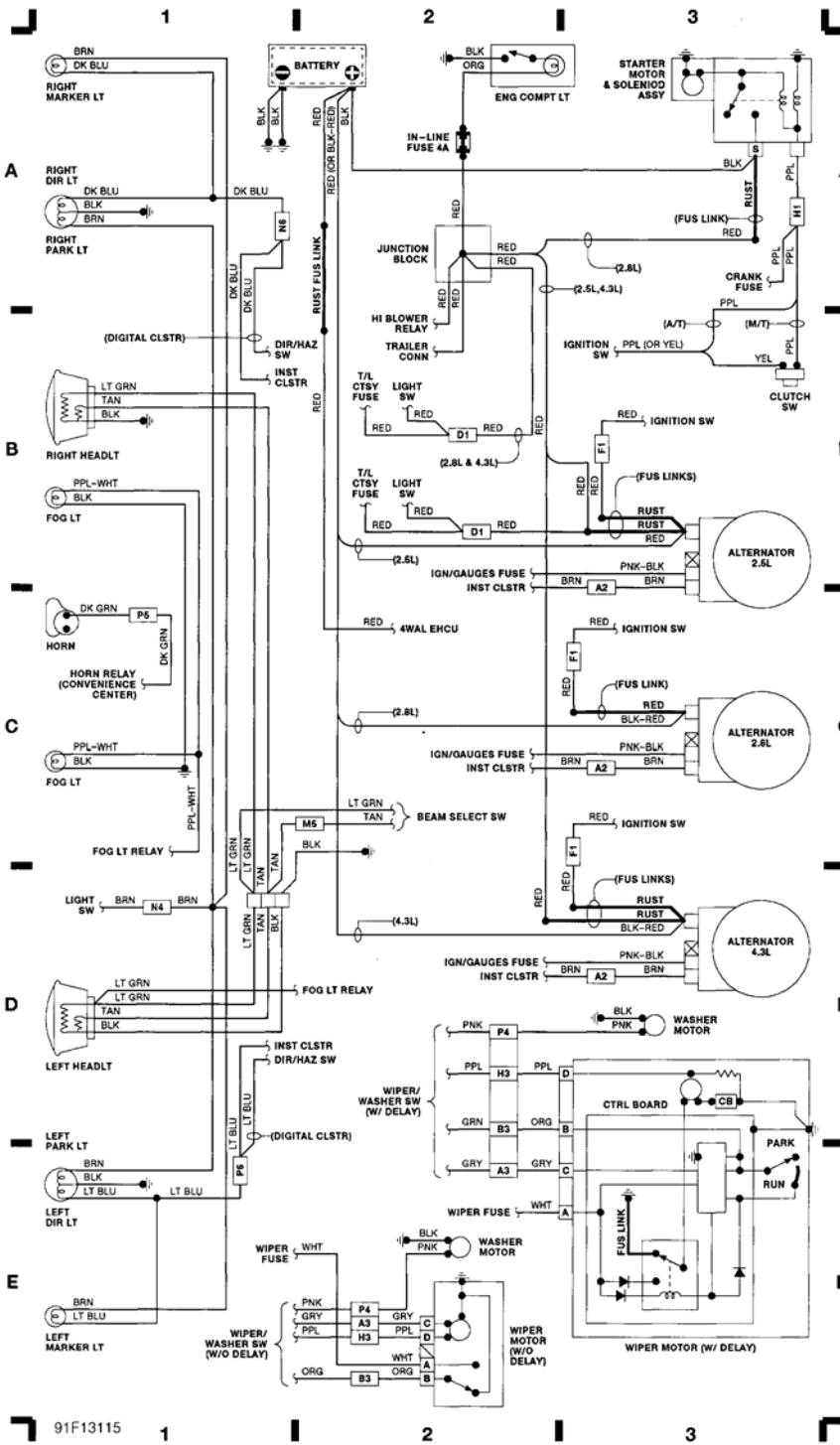


Fig. 1: Engine Compartment & Headlights (Grids 1-3)

1991 Chevrolet S10 Pickup

WIRING DIAGRAMS 1991 WIRING DIAGRAMS General Motors Corp.

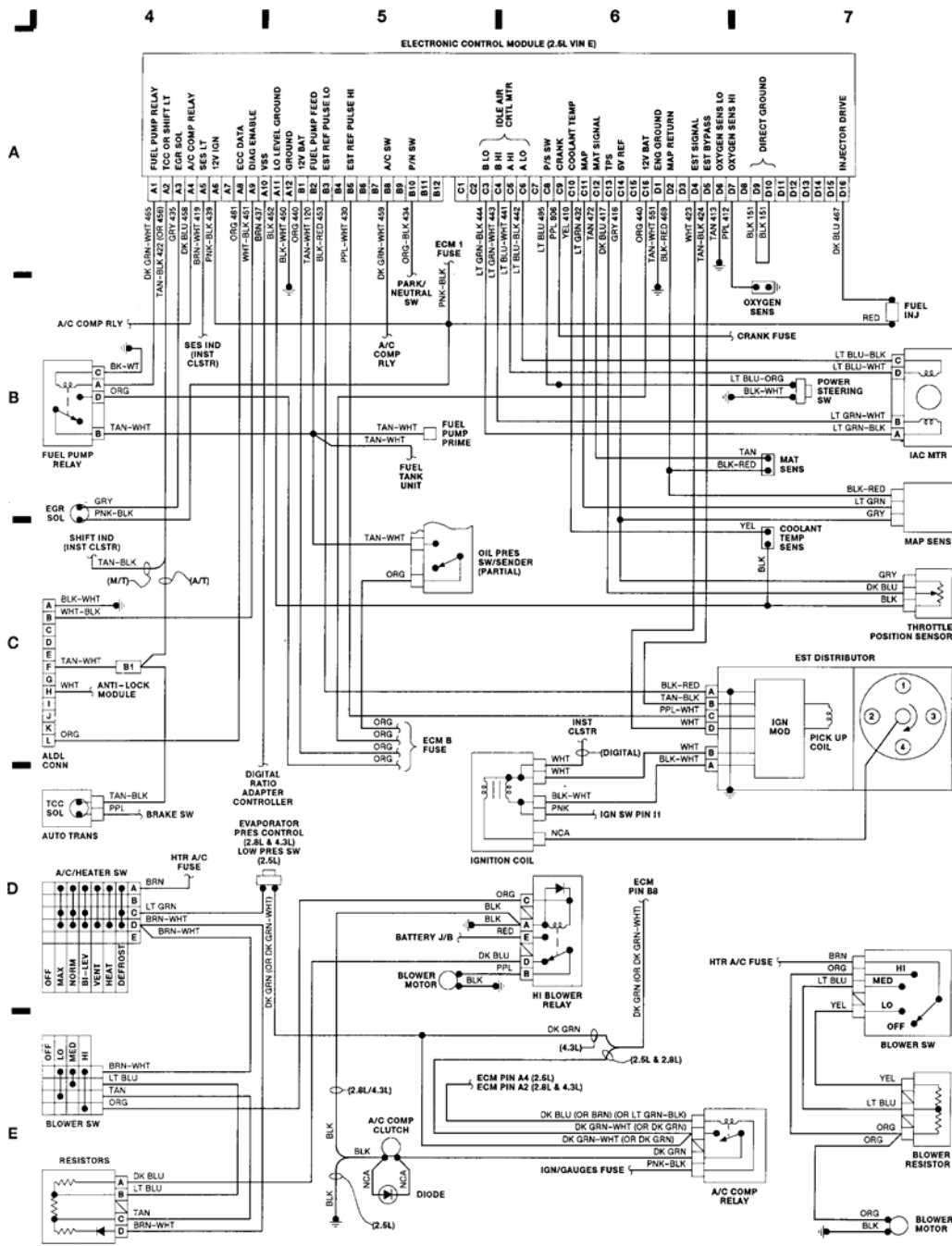


Fig. 2: Electronic Control Module (2.5L VIN E) (Grids 4-7)

1991 Chevrolet S10 Pickup

WIRING DIAGRAMS 1991 WIRING DIAGRAMS General Motors Corp.

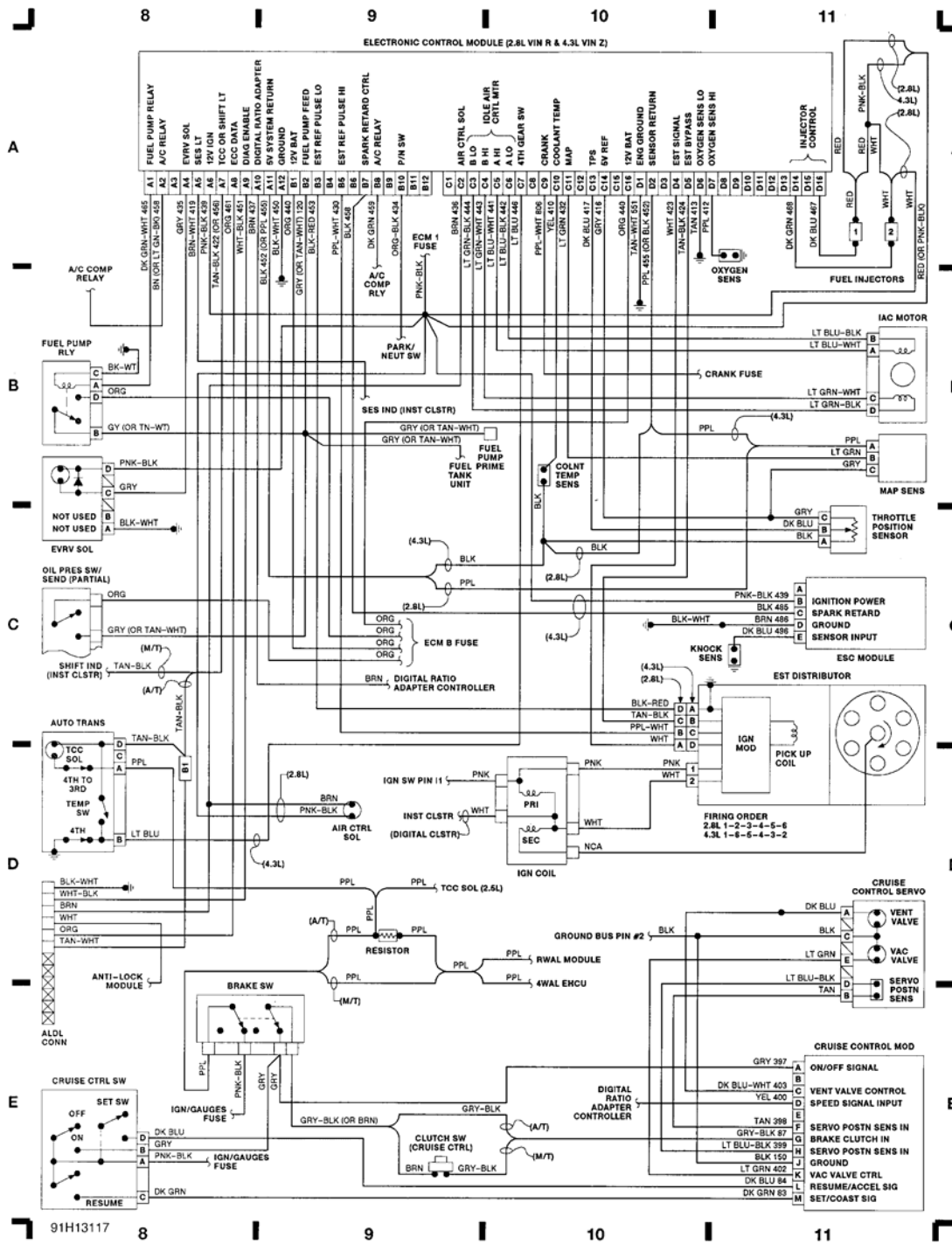


Fig. 3: Electronic Control Module (2.8L VIN R & 4.3L VIN Z) (Grids 8-11)

1991 Chevrolet S10 Pickup

WIRING DIAGRAMS 1991 WIRING DIAGRAMS General Motors Corp.

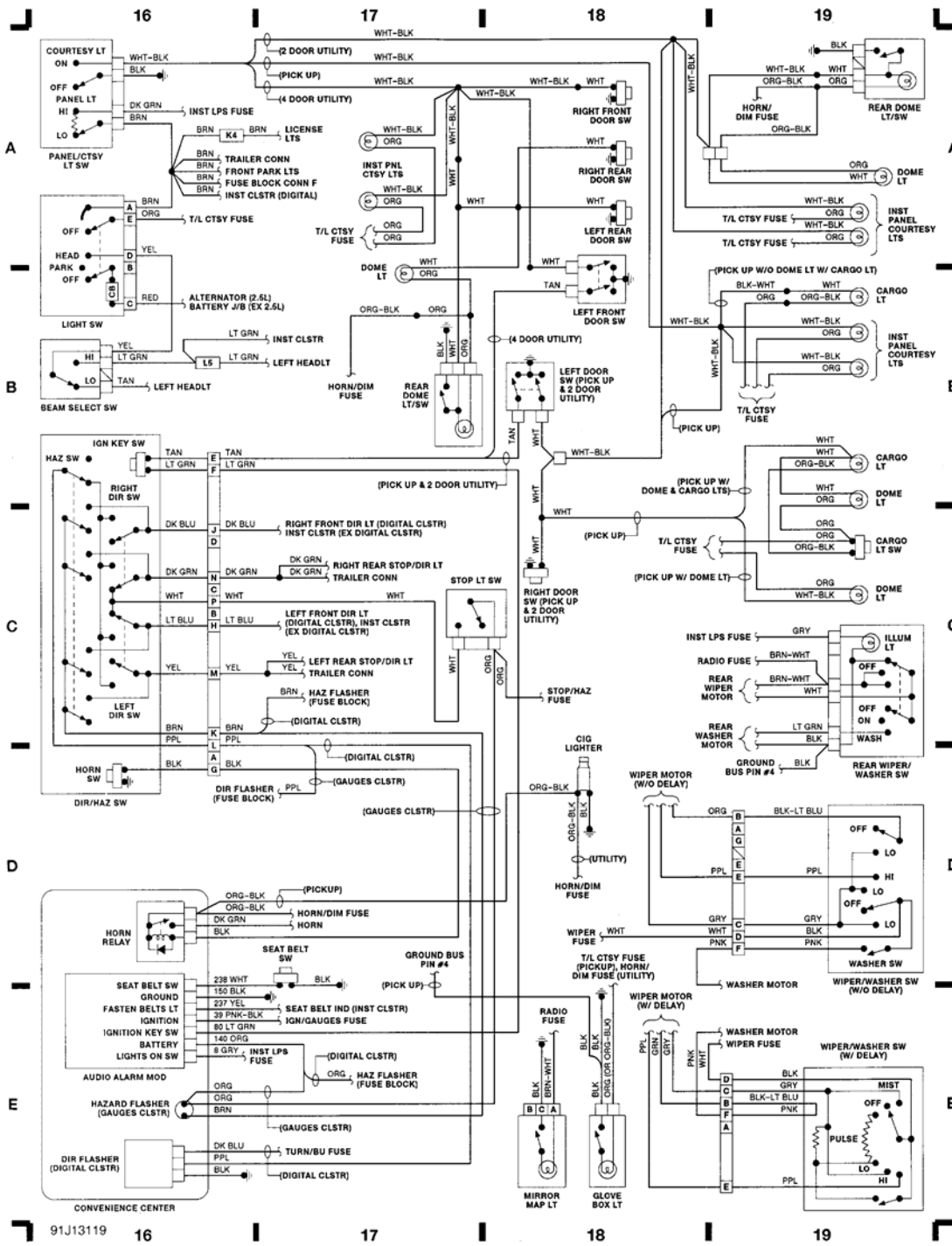


Fig. 5: Passenger Compartment (Grids 16-19)

1991 Chevrolet S10 Pickup

WIRING DIAGRAMS 1991 WIRING DIAGRAMS General Motors Corp.

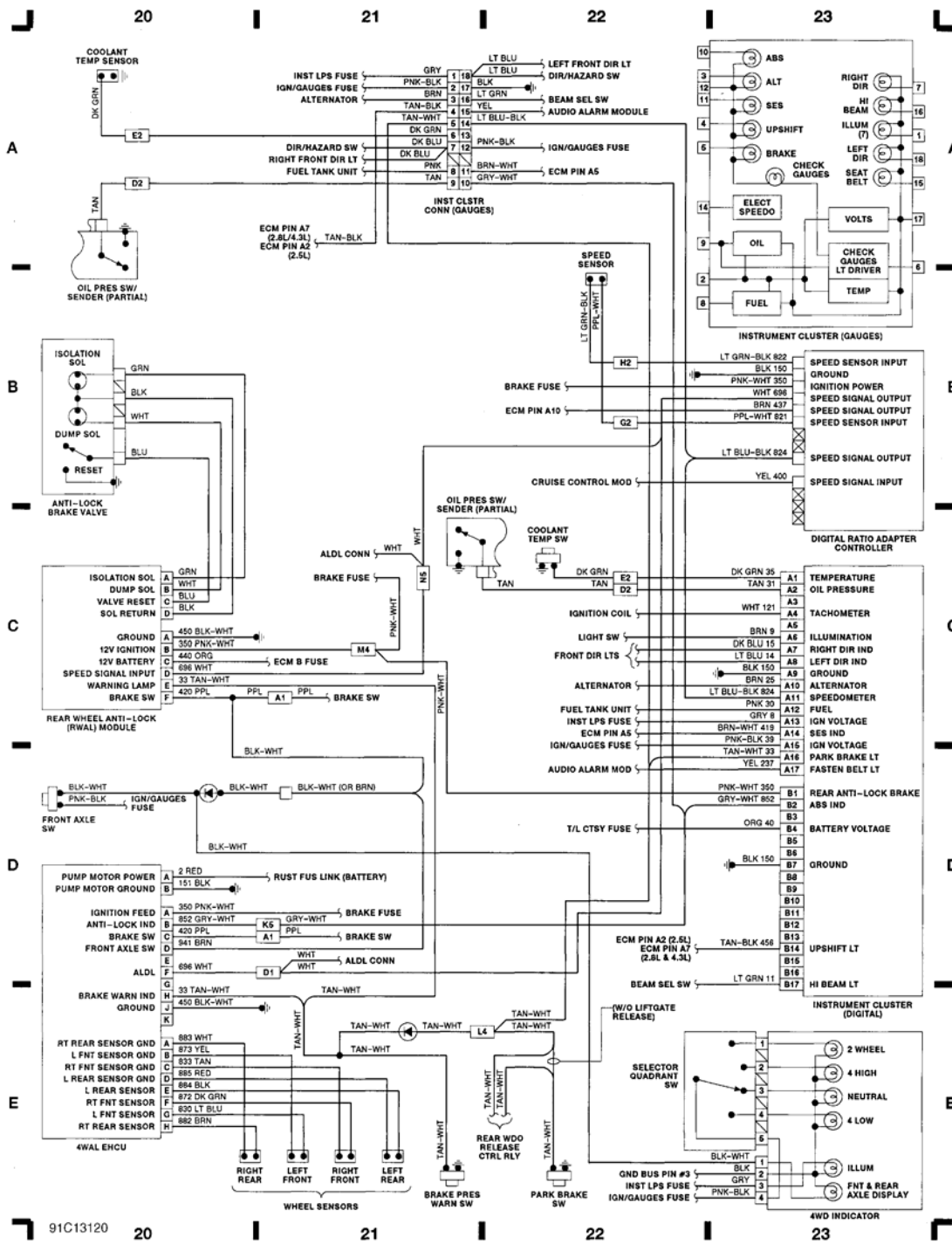


Fig. 6: Instrument Cluster (Grids 20-23)

1991 Chevrolet S10 Pickup

WIRING DIAGRAMS 1991 WIRING DIAGRAMS General Motors Corp.

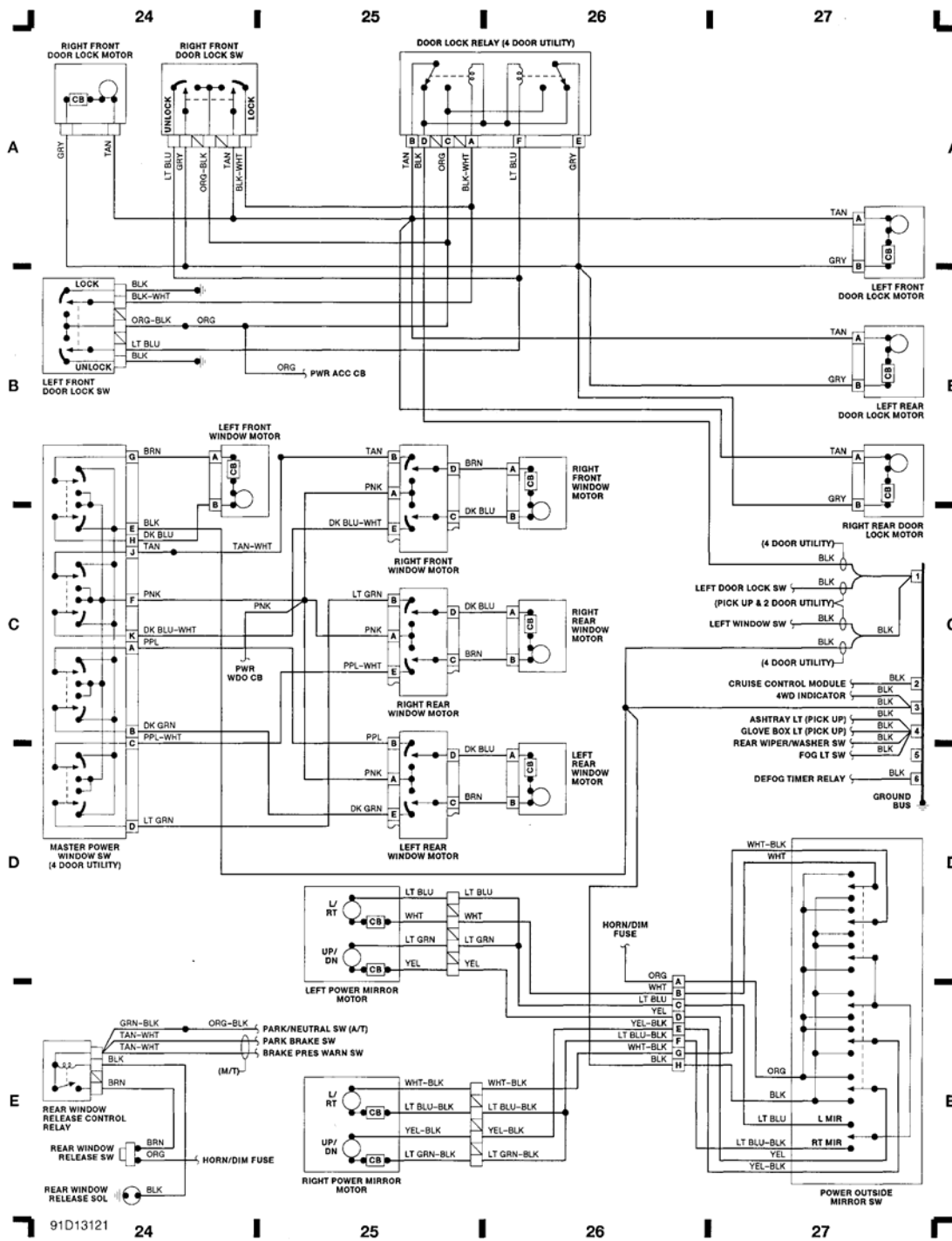


Fig. 7: Door Lock & Window Switches (Grids 24-27)

1991 Chevrolet S10 Pickup

WIRING DIAGRAMS 1991 WIRING DIAGRAMS General Motors Corp.

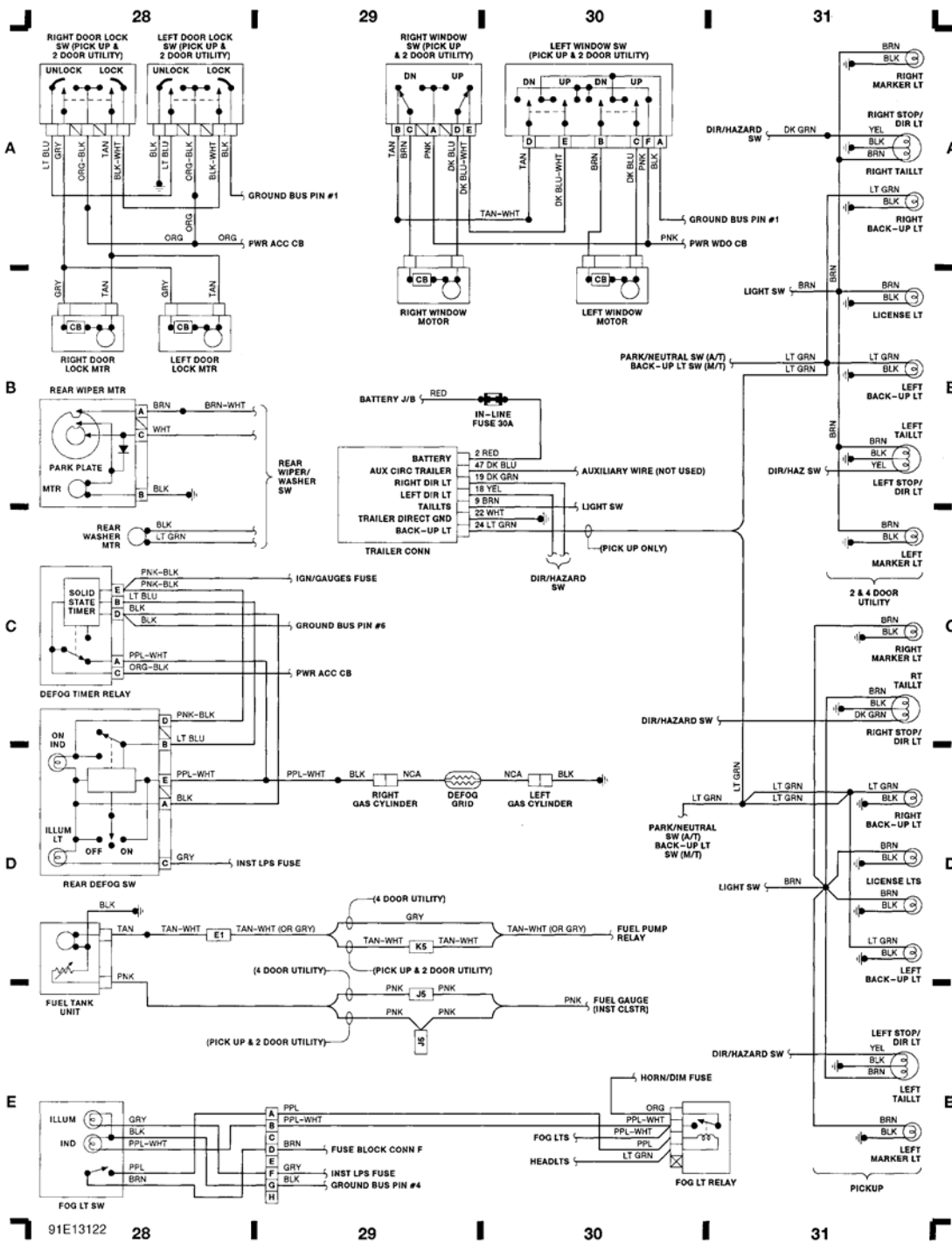


Fig. 8: Passenger Compartment & Taillights (Grids 28-31)