

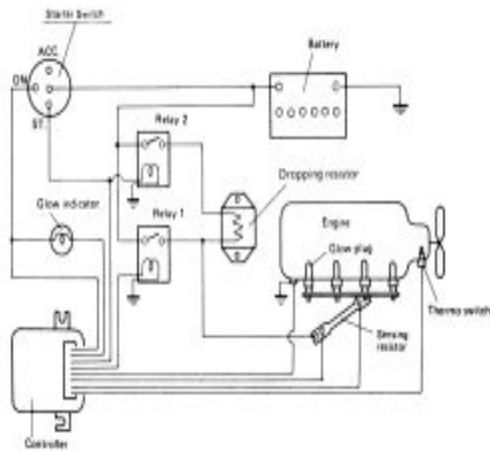
# ISUZU Amigo/Pick-ups/Rodeo/Trooper 1981-1996

## Glow Plugs

- SYSTEM TESTING
- REMOVAL & INSTALLATION

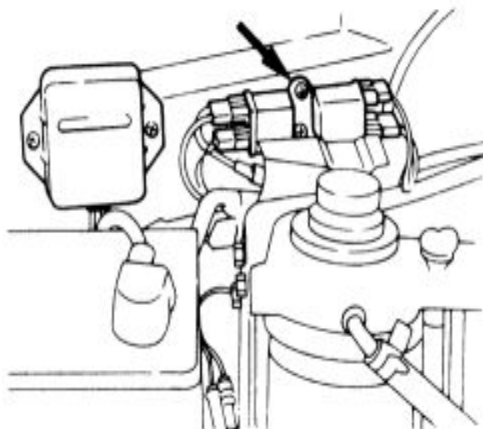
## SYSTEM TESTING

See Figures 1, 2, 3 and 4



 ENLARGE

Fig. Fig. 1 : Glow plug system schematic



 ENLARGE

Fig. Fig. 2: Dropping resistor and glow plug relay locations

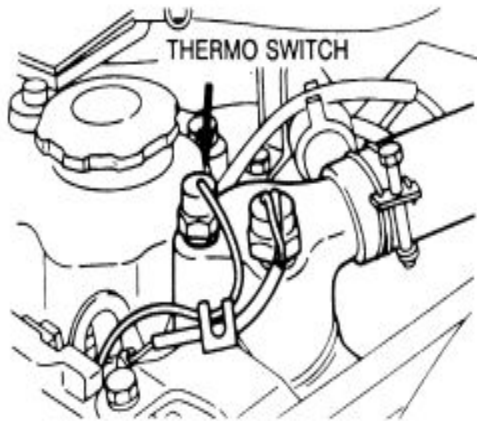


Fig. Fig. 3: Thermo switch location

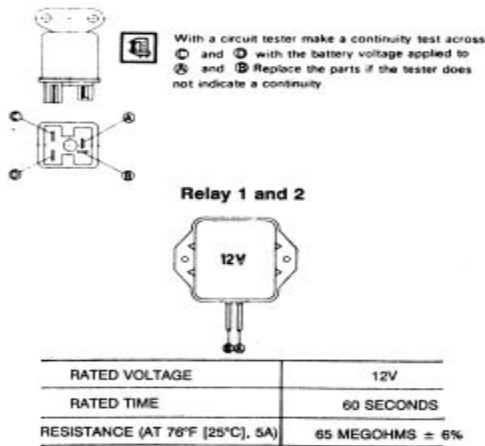
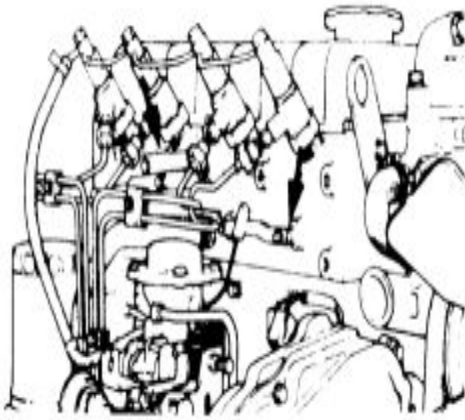


Fig. Fig. 4: Dropping resistor check

1. To test the dropping resistor, check for continuity across the terminals as described in the illustration. If no continuity exists, replace the unit.
2. To test the thermo switch, first remove the switch. Submerge the end of the switch in water and raise the temperature gradually. The switch should be off at 126–140°F (53–60°C) or lower. The switch should be on at 134–145°F (57–63°C) or higher. If not, replace the switch.

## REMOVAL & INSTALLATION

See Figure 5



ENLARGE

Fig. Fig. 5: Location of the glow plugs

The glow plugs are located under the injection nozzles, and are threaded into the cylinder head.

1. Disconnect the negative (-) battery cable.
2. Disconnect the glow plug and unscrew it from the engine.

**To install:**

3. Lubricate with anti-seize compound before installing the plug.
4. Install and tighten the plug to 65 ft. lbs. (88 Nm).
5. Reconnect the plug wiring.
6. Connect the battery cable and check operation.

[▸ Back to Top](#)

