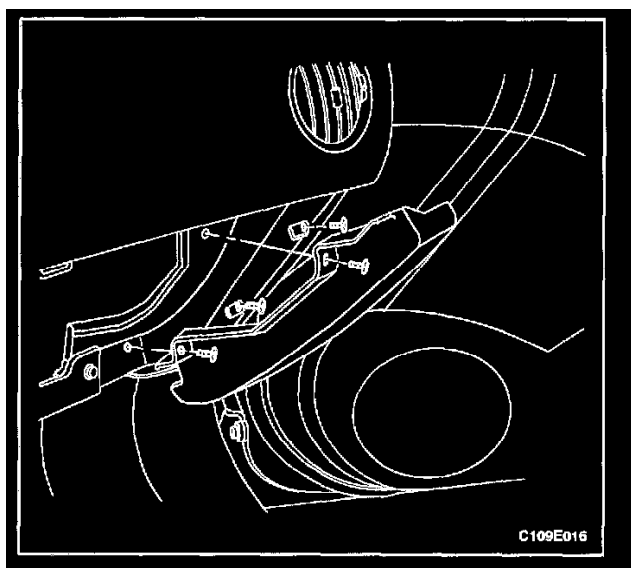
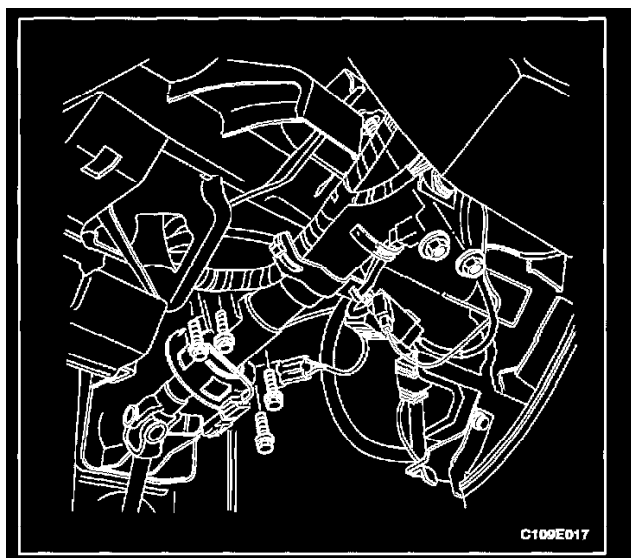


## Dashboard / Instrument Panel: Service and Repair

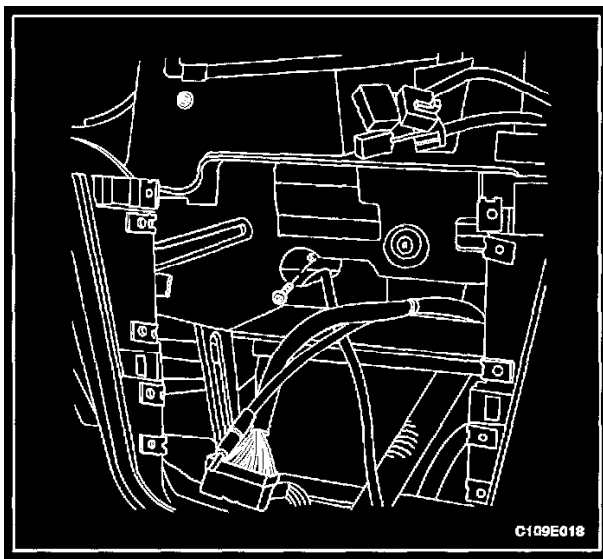
### Removal Procedure



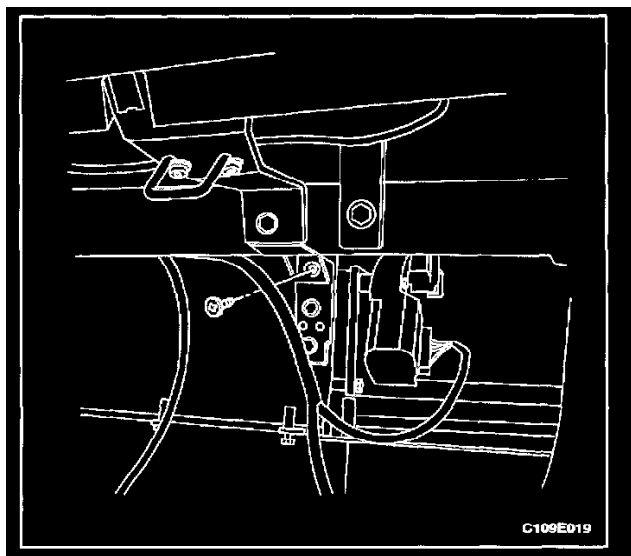
1. Disconnect the negative battery cable.
2. Remove the floor console.
3. Remove the sun sensor and the automatic temperature controls assembly.
4. Remove the tweeter speakers and the stereo cassette AM/FM radio. Refer to Section 9F, Audio Systems.
5. Remove the screws and the instrument panel storage compartment.
6. Remove the instrument cluster dimmer switch assembly.
7. Remove the instrument cluster.
8. Remove the chime module.
9. Remove the kick panels.
10. Remove the glove box.
11. Remove the screws and the glove box housing.
12. Disconnect the glove box housing electrical connectors.
13. Remove the knee bolster.



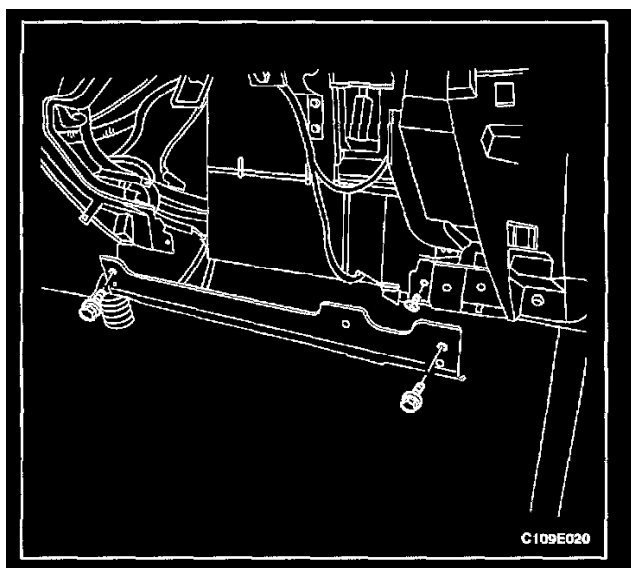
14. Remove the nuts and the bolts securing the steering column.



15. Disconnect the steering column electrical connectors.
16. Lower the steering column.
17. Remove the screw behind the stereo cassette AM/FM radio.

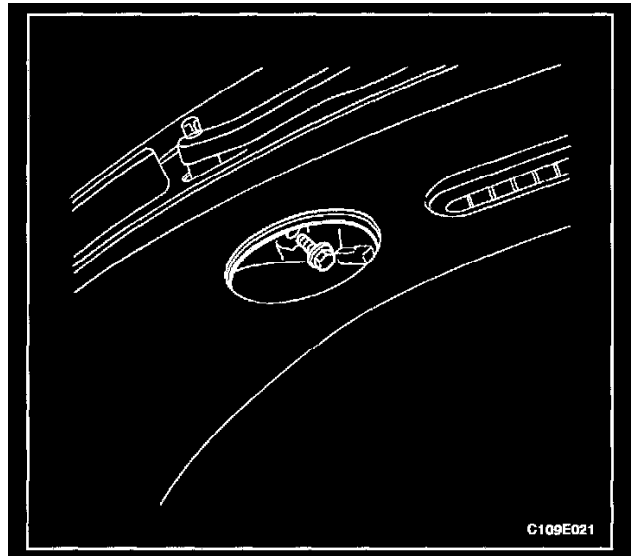


18. Remove the screw securing the instrument panel to the heater air distributor case.

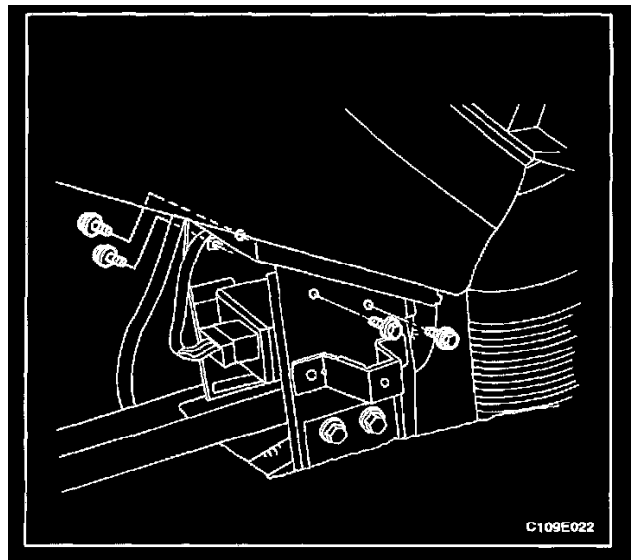


19. Remove the bolts and the glove box brace.

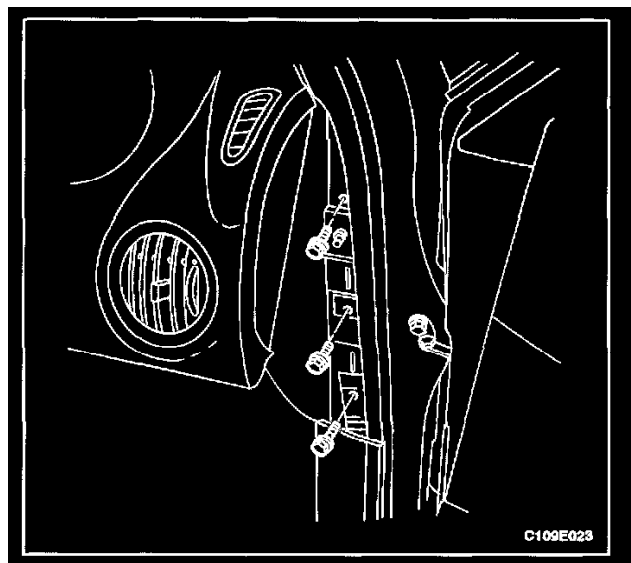
20. Remove the instrument panel screw behind the glove box brace.



21. Remove the instrument panel bolts below the windshield.



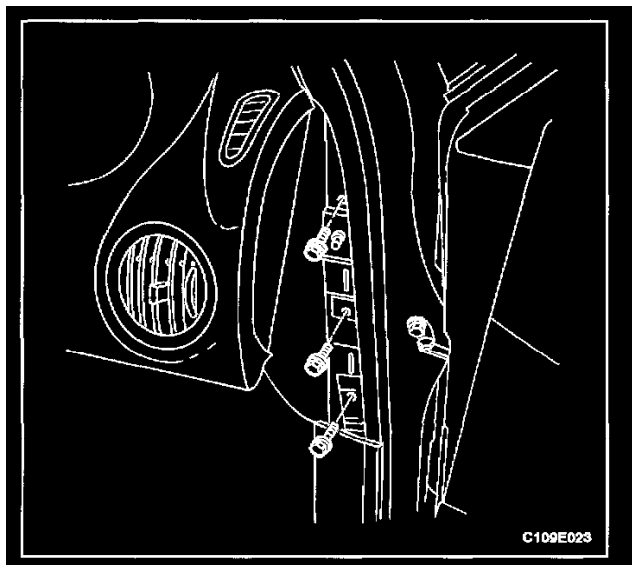
22. Remove the bolts securing the bottom of the instrument panel to the floor.



23. Remove the bolts securing the sides of the instrument panel to the body.

24. Disconnect the instrument panel electrical connectors.
25. Remove the instrument panel.

### Installation Procedure



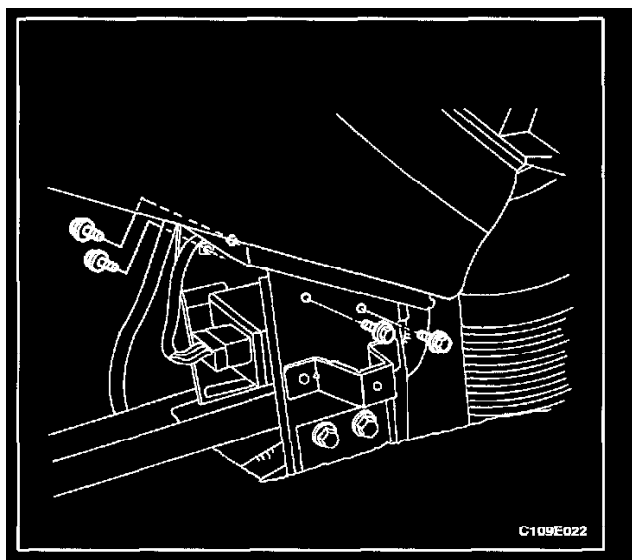
1. Position the instrument panel in the vehicle.
2. Connect the instrument panel electrical connectors.

**NOTE:** Dissimilar metals in direct contact with each other may corrode rapidly. Make sure to use the correct fasteners to prevent premature corrosion.

3. Install the bolts securing the sides of the instrument panel to the body.

Tighten

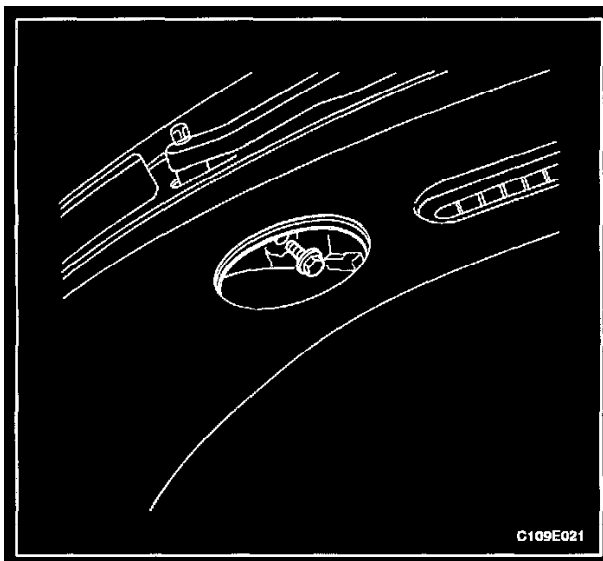
Tighten the instrument panel-to-body bolts to **22 N.m (16 lb-ft)**.



4. Install the bolts securing the bottom of the instrument panel to the floor.

Tighten

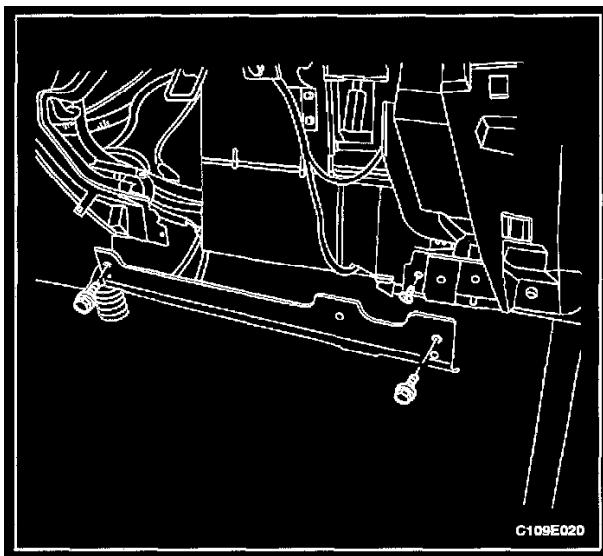
Tighten the instrument panel-to-floor bolts to **22 N.m (16 lb-ft)**.



5. Install the instrument panel bolts below the windshield.

Tighten

Tighten the instrument panel bolts below the windshield to **22 N.m (16 lb-ft)**.



6. Install the instrument panel screw behind the glove box brace.

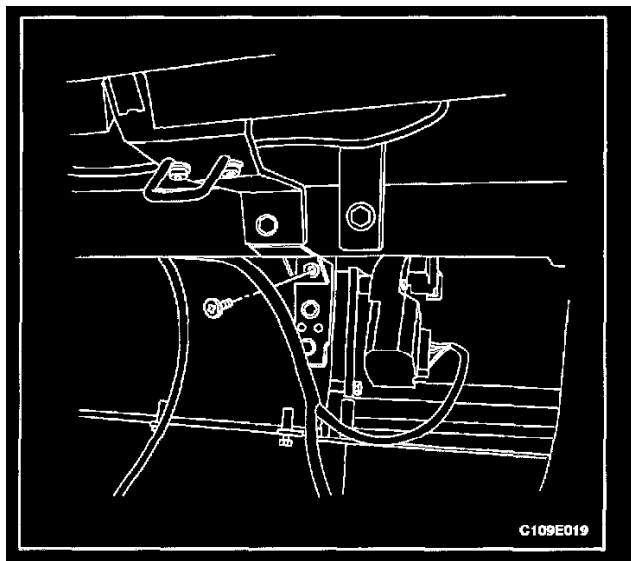
Tighten

Tighten the instrument panel screw behind the glove box brace to **2.5 N.m (22 lb-in)**.

7. Install the glove box brace with the bolts.

Tighten

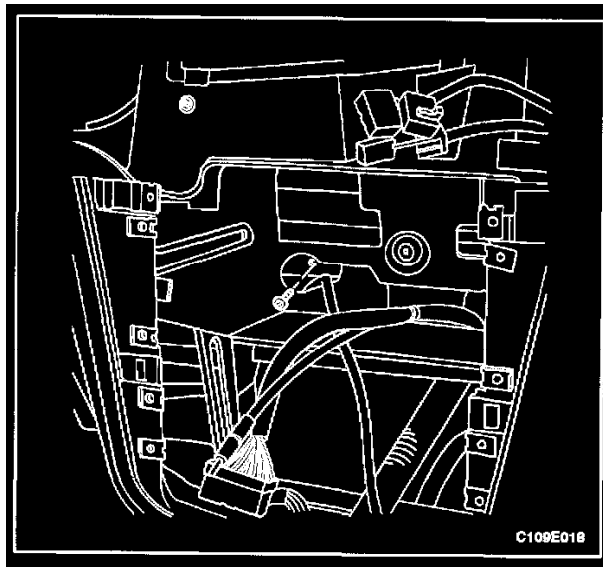
Tighten the glove box brace bolts to **10 N.m (89 lb-in)**.



8. Install the screw securing the instrument panel to the heater air distributor case.

Tighten

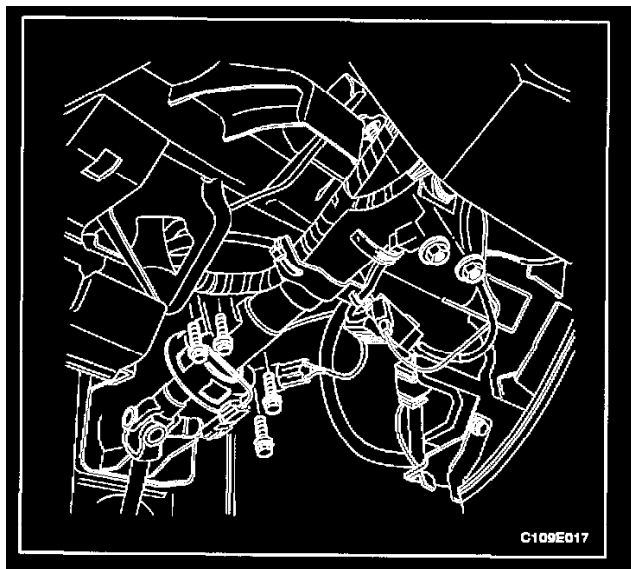
Tighten the instrument panel-to-heater air distributor case screw to **4 N.m (35 lb-in)**.



9. Install the screw behind the stereo cassette AM/FM radio.

Tighten

Tighten the instrument panel screw behind the audio system to **3 N.m (27 lb-in)**.

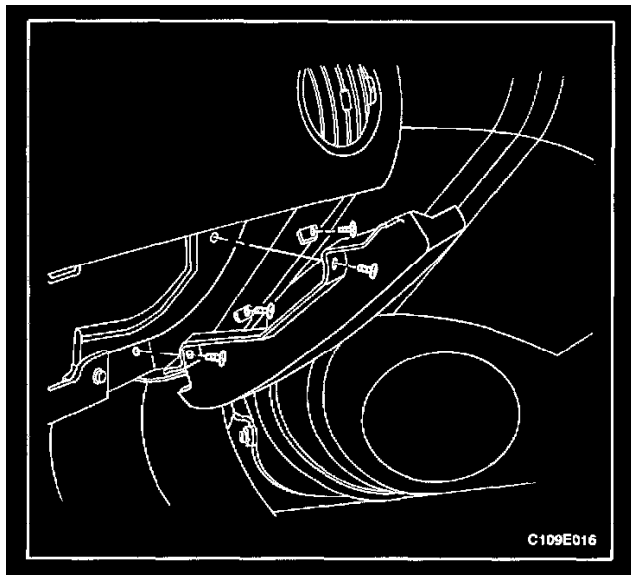


10. Raise the steering column.
11. Connect the steering column electrical connectors.
12. Install the nuts and the bolts securing the steering column.

**Tighten**

Tighten the steering column nuts to **22 N.m (16 lb-ft)**.

Tighten the steering column bolts to **22 N.m (16 lb-ft)**.



13. Install the knee bolsters.

**Tighten**

Tighten the passenger side knee bolster trim panel screws to **3 N.m (27 lb-in)**.

14. Connect the glove box housing electrical connectors.
15. Install the glove box housing with the screws.

**Tighten**

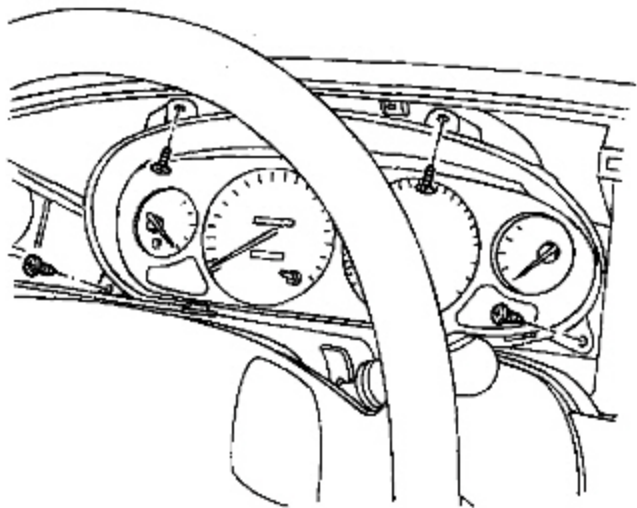
Tighten the glove box housing screws to **2.5 N.m (22 lb-in)**.

16. Install the glove box.
17. Install the kick panels.
18. Install the chime module.
19. Install the instrument cluster.
20. Install the instrument cluster dimmer switch assembly.
21. Install the instrument panel storage compartment with the screws.

## Tighten

Tighten the instrument panel storage compartment screws to **2.5 N.m (22 lb-in)**.

22. Install the tweeter speakers and the stereo cassette AM/FM radio.
23. Install the sun sensor and the automatic temperature controls assembly.
24. Install the floor console.
25. Connect the negative battery cable.



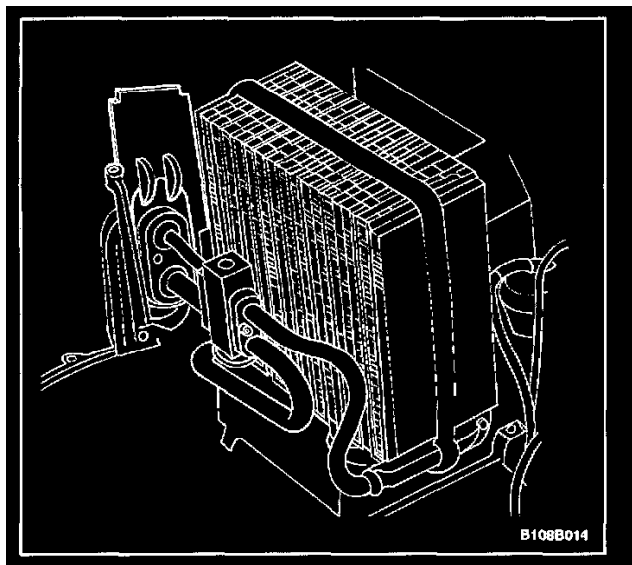
C109E004

## Expansion Valve: Service and Repair

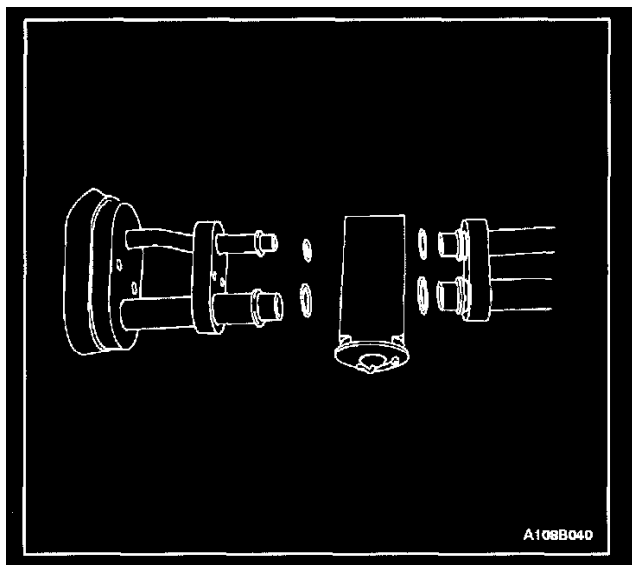
### Manual A/C

#### A/C Expansion Valve

#### Removal Procedure

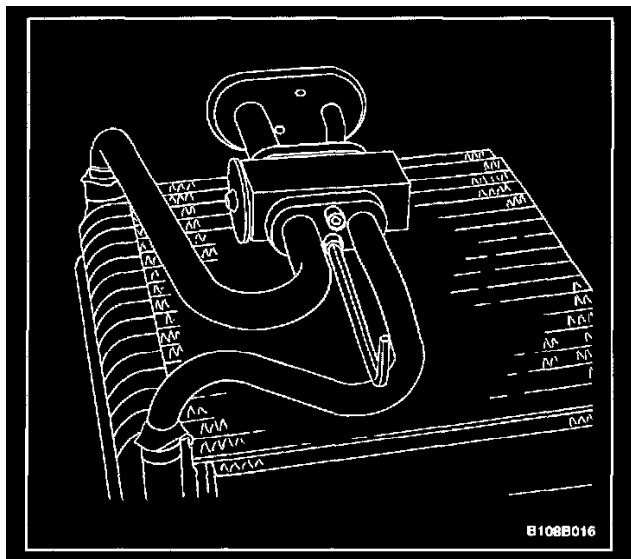


1. Remove the heater/air distributor case assembly. Refer to "Heater/Air Distributor Case Assembly" in this section.
2. Remove the screws that secure the evaporator case halves.
3. Remove the evaporator core case cover.
4. Slide the evaporator flange support plate upward to facilitate removal of the evaporator.



5. Remove the evaporator from the case.
6. Remove the expansion valve bolts.
7. Remove the expansion valve.
8. Remove the O-rings from the evaporator lines and the air conditioning (A/C) lines.

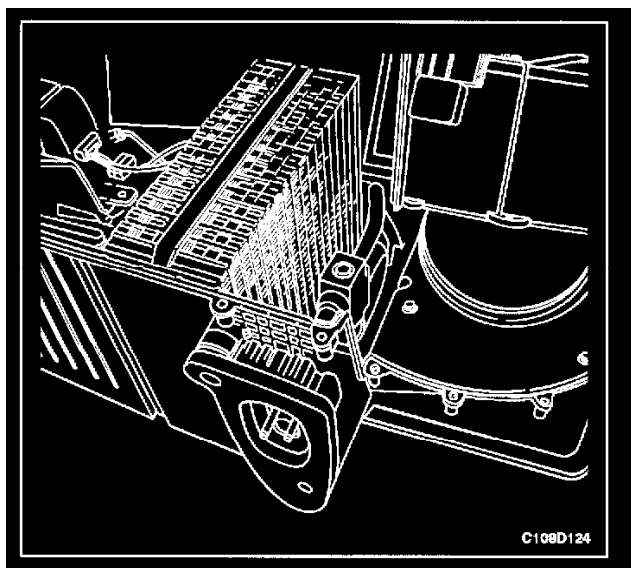
#### Installation Procedure



1. Clean the O-rings surface areas of dirt or contamination.
2. Install new O-rings on the evaporator lines and the A/C lines.
3. Install a new expansion valve onto the evaporator lines.
4. Insert the expansion valve bolts through the expansion valve into the mounting surface of the evaporator flange.

Tighten

Tighten the expansion valve bolts to **10 N.m (89 lb-in)**.



5. Install the evaporator core into the case. Center the evaporator flange in the case opening.
6. Install the evaporator core case cover with the screws.
7. Install the heater/air distributor case. Refer to "Heater/Air Distributor Case" in this section.
8. Connect the negative battery cable.
9. Evacuate and recharge the A/C system. Refer to "Dis-charging, Adding Oil, Evacuating, and Charging Procedures for A/C System".