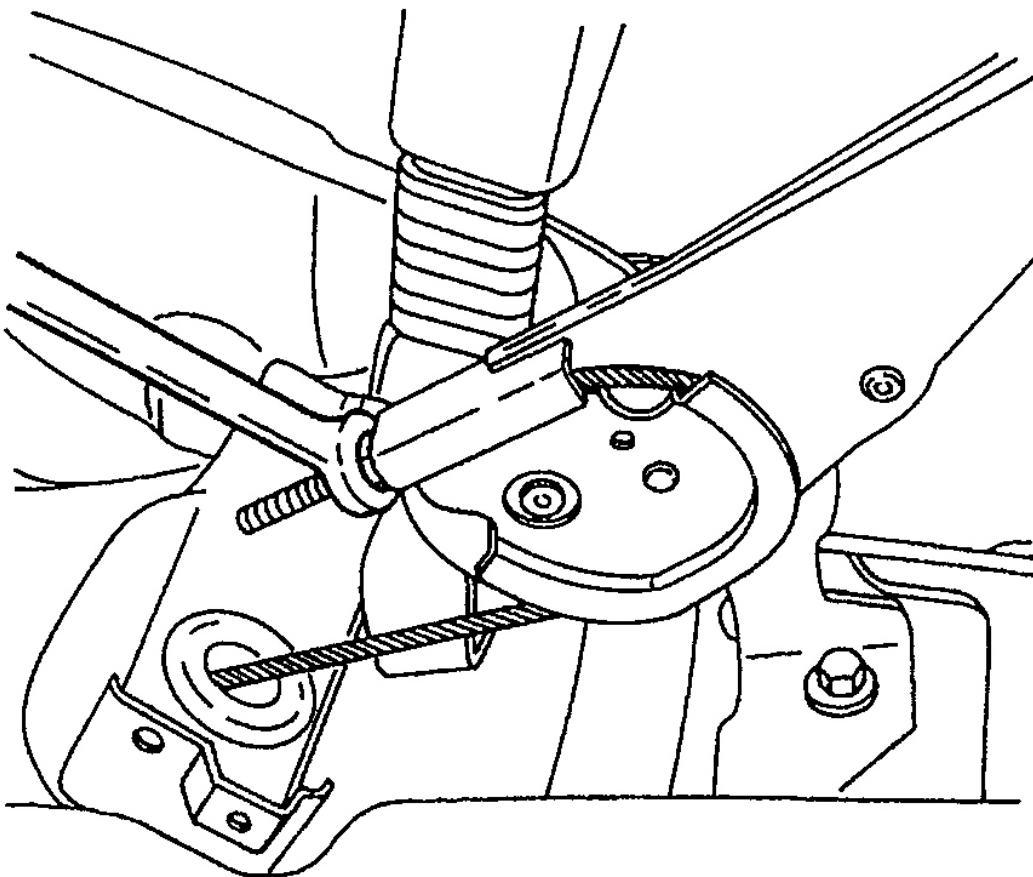


PARKING BRAKE

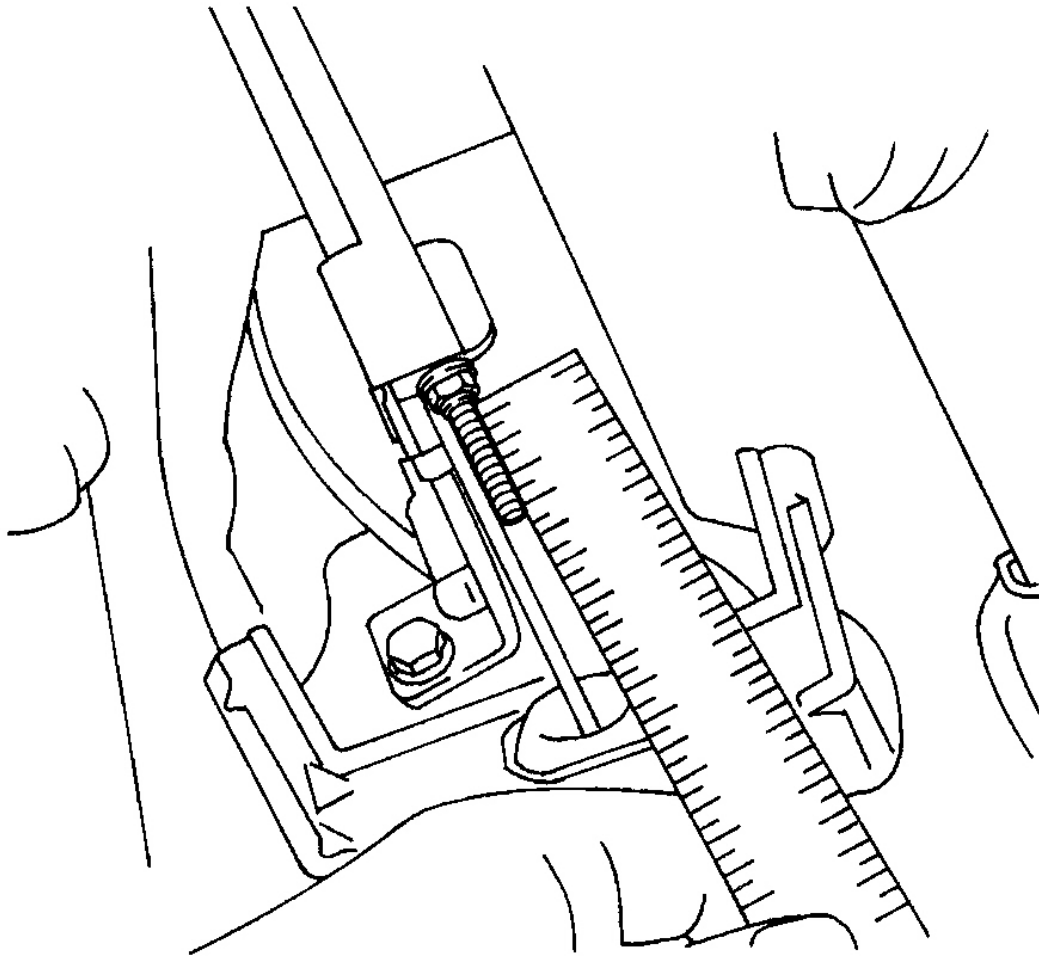
Adjustment Procedure

1. Adjust rear brakes. Release parking brake. Raise and support vehicle. Check parking brake cables for free movement. See **Fig. 7** . Lower vehicle. Move front seats forward. Pry off plastic caps that cover access holes to parking brake console hood-to-tunnel bracket screws. Unfasten screws that secure parking brake console hood to tunnel brackets. Raise console hood to expose parking brake lever assembly and adjustment nut. See **Fig. 8** .
2. Partially raise and support vehicle. Turn adjustment nut on lever assembly until wheels are difficult to turn. Loosen nut until rear wheels are just free to turn. Lower vehicle, position parking brake console hood and fasten it to tunnel brackets with screws. Tighten parking brake console hood-to-tunnel bracket screws to 2.5 N.m (22 INCH lbs.). Snap in plastic caps that cover access holes to parking brake console hood-to-tunnel bracket screws. Adjust front seats to their previous position.



G00041065

Fig. 7: Adjusting Parking Brake Cable
Courtesy of DAEWOO MOTOR AMERICA, INC.



G00041066

Fig. 8: Measuring Thread Length Of Adjustment Nut
Courtesy of DAEWOO MOTOR AMERICA, INC.

