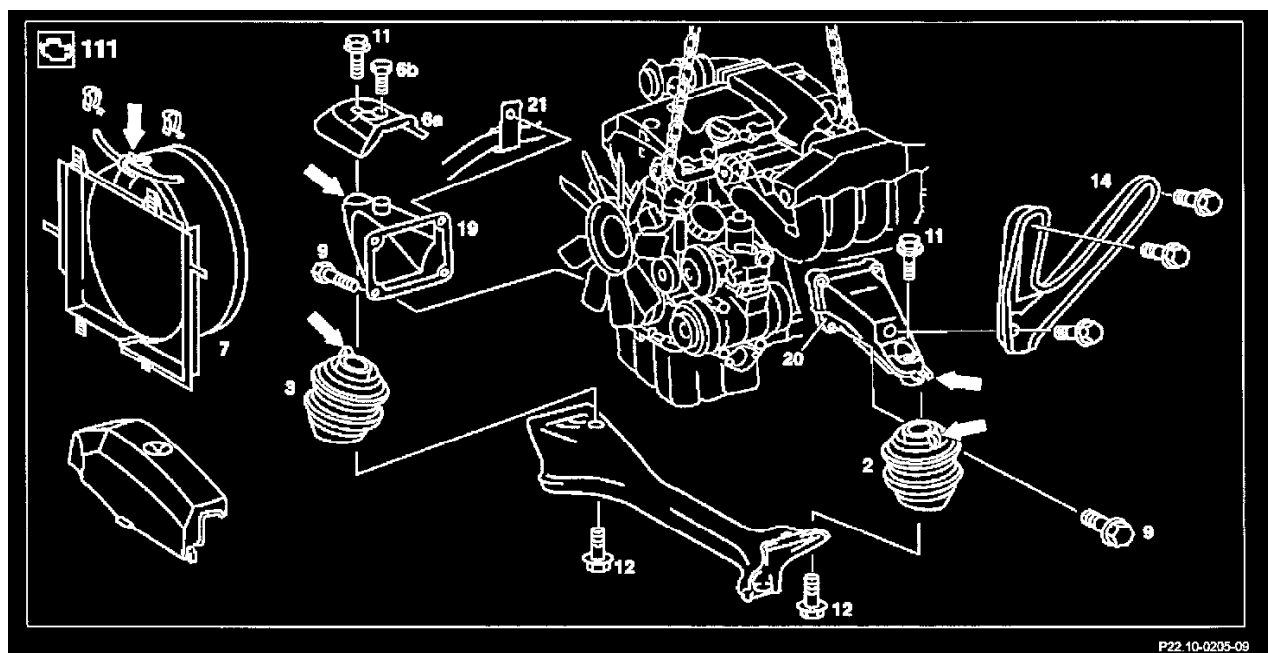
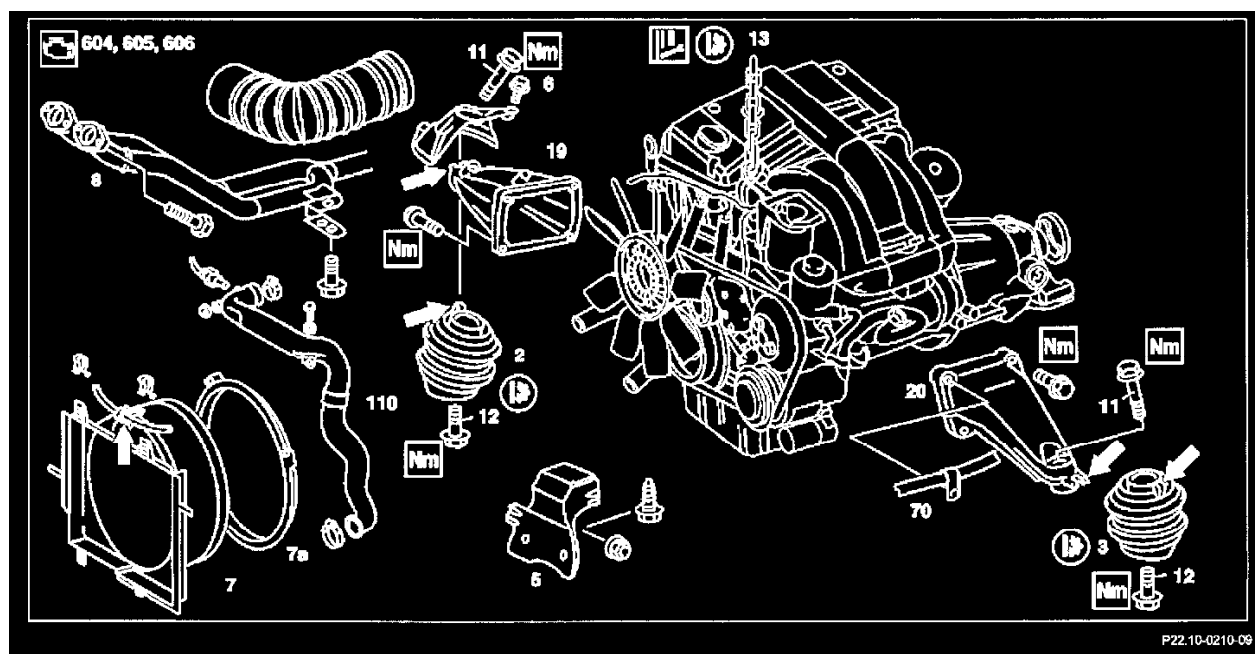


Engine Mount: Service and Repair**AR22.10-P-1260HA Remove/Install Front Engine Mounts and/or Engine Brackets****Removing And Installing Front Engine Mounts And/Or Engine Brackets**

P22.10-0235-09

Part 1

P22.10-0210-09

Part 2

- 1 Detach charge air pipe (110) at radiator
 - Engine 605.960 in model 202, 605.962 in model 210

- 2.1 Detach fan shroud (7), place over viscous fan
 - Engine 111/604/605, 606.912 in model 208, 210

NOTE: Installation: Align fan shroud (7) to fan.

- 2.2 Detach fan shroud (7), take up and out
 - Engine 606.962 in model 210

- 2.3 Turn fan shroud ring (7a) out of the locking studs at the fan shroud (7) and remove
- Engine 606 in model 124

NOTE: Installation: Ensure the fan shroud ring (7a) is correctly located in the locking studs of the fan shroud (7).

- 3 Unbolt intake manifold support (14)
- Engine 111 with light alloy intake manifold

- 4 Remove shield of steering idler arm (5) at right engine mount
- Engine 111.943/946/973 in model 170
 - Engine 111.944/975/604/605 in model 202
 - Engine 111.944/945/975 in model 208

- 5 Unscrew bolts of engine mount (11) at engine support

NOTE: except engine 605.960 in model 202 right engine mount

- 6 Unscrew bolts of engine mount (12) at frame cross member
- Model 140, on left and right

- 7 Unscrew bolts of engine mounts (12) at frame cross member and front axle carrier, respectively

- 8 Raise engine at front lifting eye

CAUTION:

- **Ensure that the injection line at the front engine lifting eye is not damaged and the rear of the engine does not touch the body.**
- **Do not over-tension coolant hoses.**
- **Model 170: Ensure the hose at the power steering pump is not over-tensioned, detach if necessary**

- 9 Unscrew bolts of engine mount (11) at engine support
- Model 140 left engine mount

- 10 Unbolt engine support (19) together with engine mount (2) at crankcase

NOTE: Engine mount on right as bolt (11) is not accessible through turbocharger or compressor.

- Engine 605.960 in model 202,
- Engine 111.944/975 in model 202,
- Engines 111.944/975 in model 208
- Engine 111.947 in model 210
- Engine 605.962 in model 210
- Engine 606.961/962

- 11 Remove engine mounts (2, 3)

CAUTION:

- **The anti-twist locks (arrows) in the engine mounts (2) and (3) must engage in the retaining slots in the engine supports (19) and (20) (arrows).**
- **Model 170: detach the steering shock absorber in order to remove the left engine mount.**

NOTE:

- Environmental protection regulations for disposal of engine mounts
- Dispose of engine mounts as mixed scrap

- 12 Unbolt engine supports (19, 20)

NOTE: If automatic transmission is fitted, pay attention to bracket for transmission wiring harness (70 and 21, respectively).

- 13 Unbolt shield (6) at engine support (19)

- 14 Install in the reverse order.