

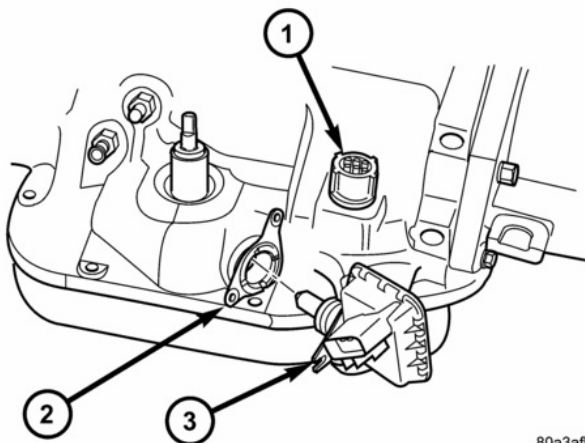
2002 Dodge DAKOTA

Submodel: | Engine Type: V8 | Liters: 4.7

Fuel Delivery: FI | Fuel: GAS

REMOVAL

1. Raise vehicle and position drain pan under the transmission range sensor (TRS).
2. Move the transmission manual lever to the manual LOW position. The manual LOW position is with the manual lever in the forward-most detent.
3. Disengage the wiring connector from the TRS.
4. Remove the two screws holding the TRS to the TRS mounting bracket.
5. Remove the TRS [Remove Transmission Range Sensor](#) from the TRS mounting bracket by pulling it straight out of the bracket.

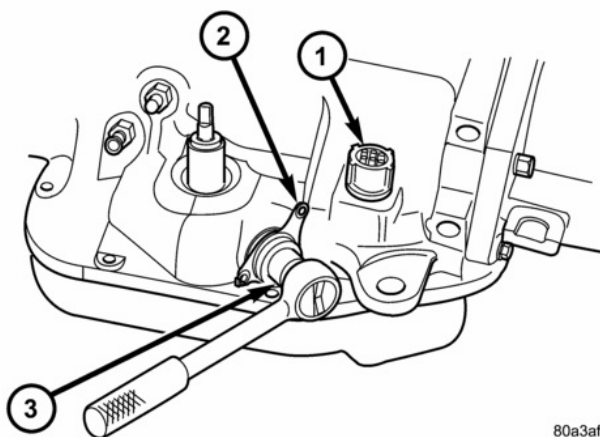


[Click to enlarge](#)

Remove Transmission Range Sensor

- 1 - SOLENOID CASE CONNECTOR
- 2 - TRS MOUNTING BRACKET
- 3 - TRANSMISSION RANGE SENSOR

6. Loosen the TRS mounting bracket in the transmission case using Adapter 8581 [Loosen the TRS Mounting Bracket](#).

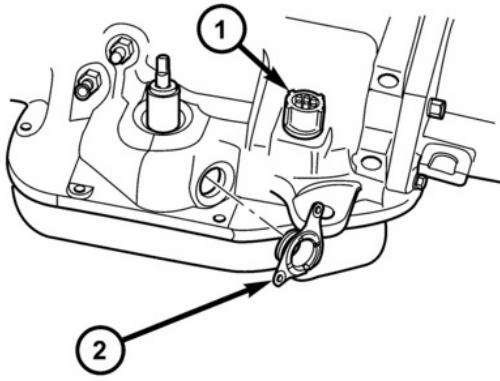


[Click to enlarge](#)

Loosen the TRS Mounting Bracket

- 1 - SOLENOID CASE CONNECTOR
- 2 - TRS MOUNTING BRACKET
- 3 - ADAPTER 8581

7. Remove the TRS mounting bracket [Remove TRS Mounting Bracket](#) from the transmission case.



80a3af90

[Click to enlarge](#)

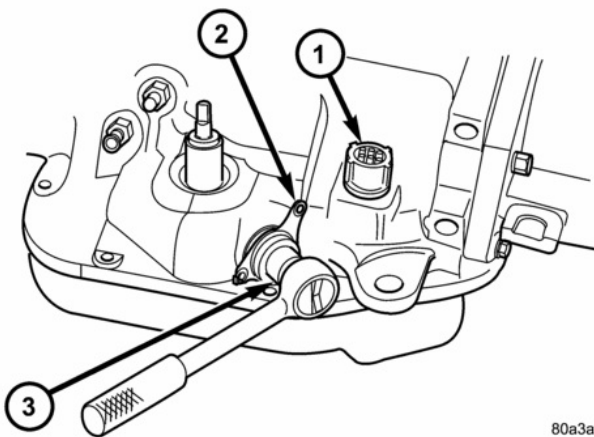
Remove TRS Mounting Bracket

1 - SOLENOID CASE CONNECTOR

2 - TRS MOUNTING BRACKET

INSTALLATION

1. Move the transmission manual shaft lever to the manual LOW position.
2. Install the TRS mounting bracket into the transmission case. Using Adapter 8581 [Tighten the TRS Mounting Bracket](#), tighten the mounting bracket to 34 N·m (300 in.lbs.).



80a3afb5

[Click to enlarge](#)

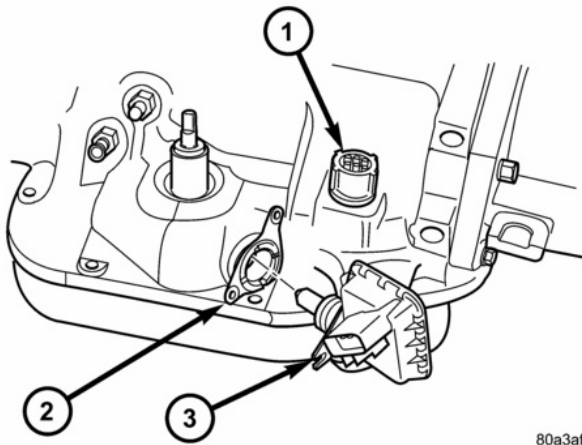
Tighten the TRS Mounting Bracket

1 - SOLENOID CASE CONNECTOR

2 - TRS MOUNTING BRACKET

3 - ADAPTER 8581

3. Install the TRS [Remove Transmission Range Sensor](#) into the mounting bracket with the wiring connector facing the front of the transmission.



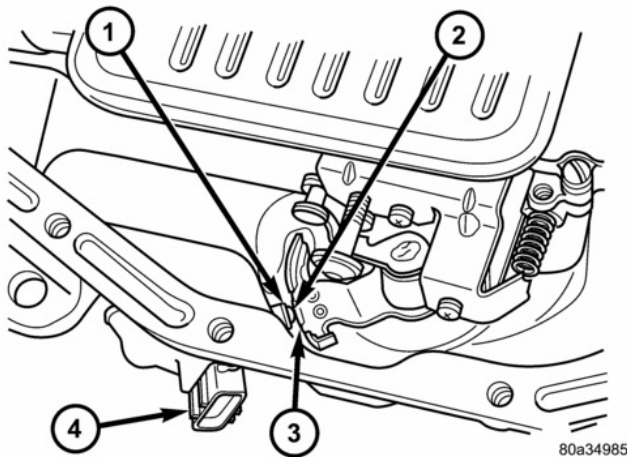
80a3afb9

[Click to enlarge](#)

Remove Transmission Range Sensor

- 1 - SOLENOID CASE CONNECTOR
- 2 - TRS MOUNTING BRACKET
- 3 - TRANSMISSION RANGE SENSOR

4. Install the two screws to hold the TRS to the mounting bracket. Tighten the screws to 3.4 N-m (30 in.lbs.).
5. Verify proper sensor operation [Transmission Range Sensor Operation](#).



80a34985

[Click to enlarge](#)

Transmission Range Sensor Operation

- 1 - NEUTRAL CONTACT
- 2 - MANUAL LEVER AND SENSOR PLUNGER IN REVERSE POSITION
- 3 - PARK CONTACT
- 4 - TRANSMISSION RANGE SENSOR

6. Move the transmission manual shaft lever to the PARK position.
7. Connect TRS wiring connector to the TRS and lower vehicle.
8. Refill the transmission fluid to the correct level.