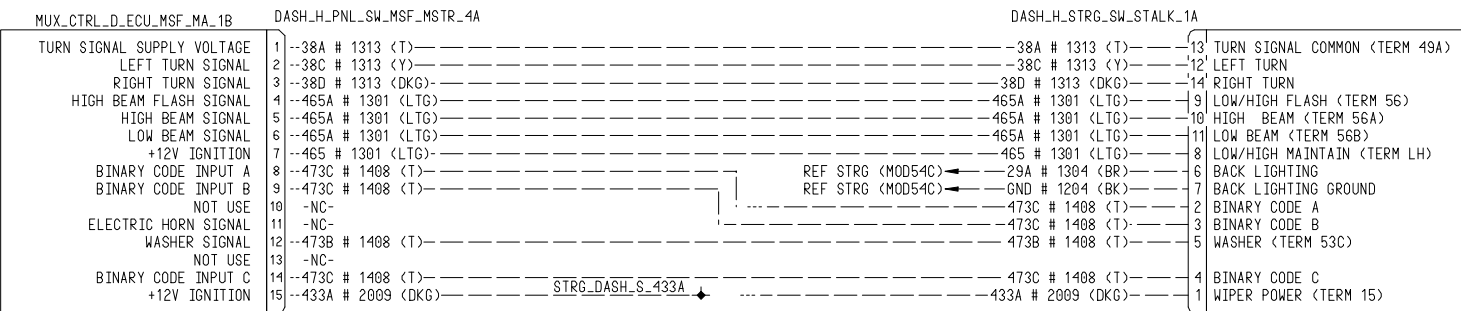
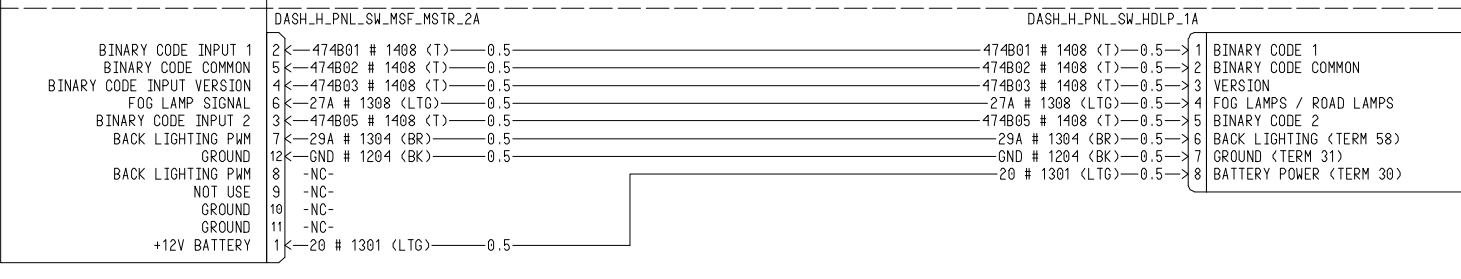


RELEASE NUMBER	REV	ZONE	REVISION DESCRIPTION	BY	DATE	APPD
P24630-C3	A	ALL	INITIAL PRODUCTION RELEASE	MND	10/15/06	GAP
P26815-S6	B	28	MODIFY NOTE 4	MND	05/23/08	GAP
	B	-	ADD HARN PROF A06-62660-001, 62962-001	MND		
P36465-04	C	-	ADDED HARN PROF A06-71410-000	S38	06/19/08	NTG
	-	-	ADD A06-71411-000			
P38904-01	D	-	1-ADDED SHEET 2	S.C	11/23/09	PJD
P37953-15	E	-	ADDED -082 AND SHEET 3	OPH	07/07/10	NTG
P41749-01	F	3A	ADDED -083 AND SHEET 4	S38	01/31/11	LVP
P42854-2E	G	-	SEE SHEET 3	OPH	09/30/11	LVP
P4601-06	H	40	ADDED HARN PROF A06-83088 & A06-83125	OPD	09/10/12	EA8

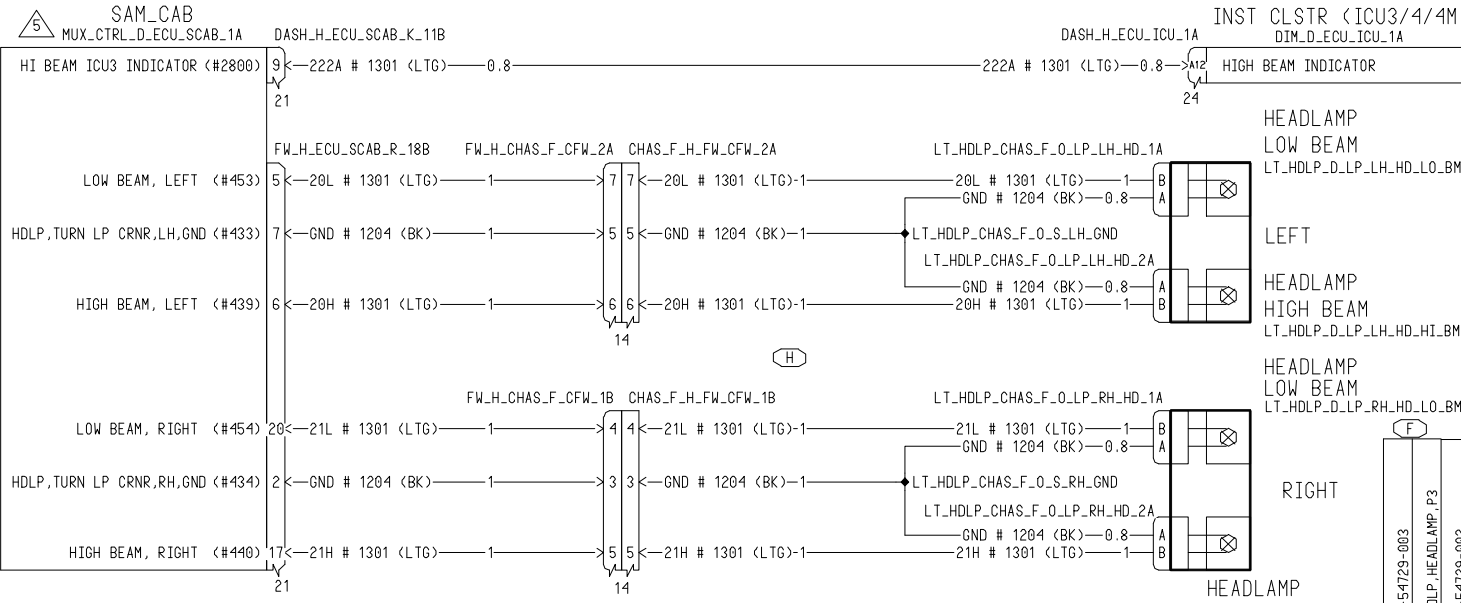


STALK SWITCH  
STRG\_D\_SW\_STALK\_1A



HEADLAMP SWITCH  
LT\_HDLP\_D\_SW\_HEAD\_LP\_1A

OR -001/-002  
SEE SHEET 2/3



- TURN LEFT/RIGHT FRONT CORNER, LOW BEAM LEFT/RIGHT, OR SEPARATE DRL MAY BE CONFIGURED AS DRL'S. REF LT\_TRN (MOD301)
- HIGH BEAM ON/OFF AND FLASH-TO-PASS ARE CONTROLLED BY STALK SWITCH. REFER TO MODULE 299 FOR COMPONENT DRAWING
- HEADLAMP ON/OFF ARE CONTROLLED BY THE HEADLAMP SWITCH. REFER TO MODULE 304 FOR COMPONENT DRAWING
- FOR COMPLETE SYSTEM ARCHITECTURE, REFER TO MODULE 280, NETWORK TOPOLOGY SCHEMATIC, SUBSET E, OR WIRE DIAGRAMS IN MODULE 160
- REFER TO MODULE 32A (SAM\_CAB) AND MODULE 32K (SAM\_CHAS) FOR FUSE & RELAY LOCATION AND CIRCUIT PROTECTION INFORMATION

WIRE SIZE SHOWN IN mm<sup>2</sup>

METRIC mm <sup>2</sup>	AWG/GA
0.5	20
0.8	18
1	16
2	14
3	12
5	10
8	8
13	6
19	4
32	2
40	1
50	0
62	2/0

ITEM NUMBER:	G06-54729-003
DESCRIPTION:	WRG-LT_HDLP, HEADLAMP, P3
ITEM NUMBER:	G06-54729-002
DESCRIPTION:	WRG-LT_HDLP, HEADLAMP, P3
ITEM NUMBER:	G06-54729-001
DESCRIPTION:	WRG-LT_HDLP, HEADLAMP, P3
ITEM NUMBER:	G06-54729-000
DESCRIPTION:	WRG-LT_HDLP, HEADLAMP, P3

<b>DAIMLER</b>		Daimler Trucks North America	
<small>THE INFORMATION CONTAINED HEREIN IS PROPRIETARY DATA, AND IS NOT FOR DISSEMINATION OR DISCLOSURE, IN WHOLE OR IN PART, FOR ANY PURPOSE OTHER THAN THAT FOR WHICH IT IS SUBMITTED, EXCEPT AS AUTHORIZED IN WRITING BY THE CONTROLLER CORPORATION.</small>			
MATERIAL APPROVAL:	DATE:	UNLESS OTHERWISE NOTED, DIMENSIONS AND TOLERANCES ARE DEFINED ACCORDING TO ASME STANDARD Y14.5M-1994, WITH EXCEPTIONS PER FREIGHTLINER EDSN 0508-K17.	
DRAWN BY:	DATE:	THIRD PARTY PRODUCTION	
CHECKED BY:	DATE:	DATE:	
RESPONSIBLE ENGINEER:	DATE:	RESPONSIBLE MFG. ENGR:	
APPROVED BY:	DATE:	DATE:	
SUPPLEMENTARY DESCRIPTION:		UNITS OF MEASURE	
ITEM/DRAWING NUMBER:		MM	
G06-54729		N/A	
P3		DATE:	
REVISION LETTER:		SHEET NUMBER:	
H		1 OF 4	

DO NOT SCALE COPIES OF THIS DRAWING

sheet 1  
 schematic  
 C  
 B  
 A  
 FILE PATH = S:\TU\FILE\DATA\Product\PS3\Air\mg\_Diagrams\LT\_HDLP\066-54729-G.P3.LT\_HDLP\_HEADLAMPS  
 DWG FILE LOC = PDX\_MENTOR  
 LAST FILE = F:\Sep\_30\_06\0634-2011  
 PLOT DATE = FRI, Sept 30, 2011, 6:13:43 AM.