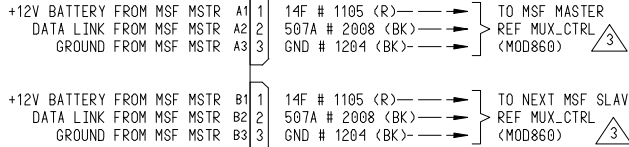


MSF SLAVE-DASH

MUX_CTRL_D_ECU_MSF_SLV_DASH_1B MUX_CTRL_H_PNL_SW_MSF_2A

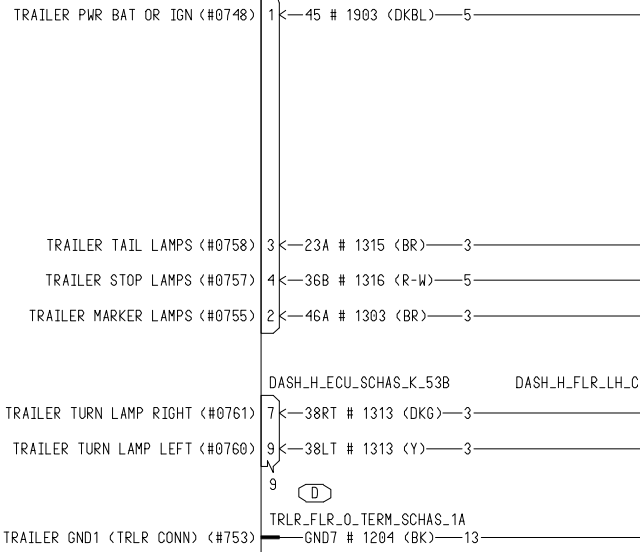


SWITCH NAME ⚠️	TRAILER AUX POWER MULTIPLEXED SW
CONTACT TYPE	MAINTAIN
LED	AMBER
CONDITION	SWITCH CLOSE = PRIM RCPT CNTR PIN_NON-IGN PWR ON

⚠️ SAM_CHAS

MUX_CTRL_D_ECU_SCHAS_1A

FLR_LH_H_ECU_SCHAS_K_55B



WIRE SIZE SHOWN IN mm²

METRIC mm ²	AWG/GA
0.5	20
0.8	18
1	16
2	14
3	12
5	10
8	8
13	6
19	4
32	2
40	1
50	0
62	2/0

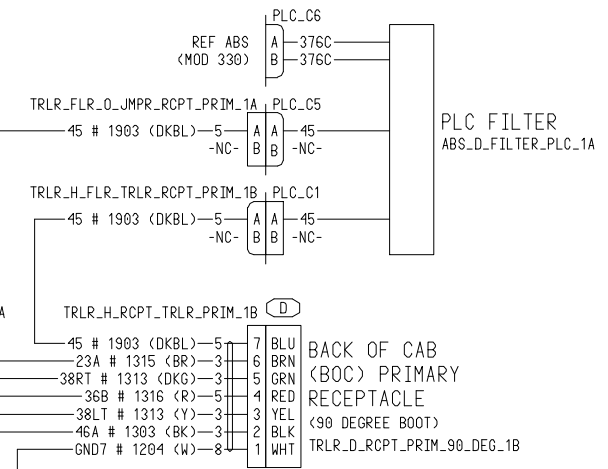
WITH PLC FILTER (-000)

BOC, J560 PRIMARY TRAILER RECEPTACLE (TRLR)

(ENGINEERING NOTE: VAROPTS IS APPLIED ON THIS WIRE DIAGRAM)

- ⚠️ FOR SWITCHABLE OR NON IGNITION POWERED CENTER PIN ON PRIMARY RECEPTACLE
- ⚠️ REFER TO MODULE 296 BILL OF MATERIAL FOR UNIQUE SWITCH DETAILS
- ⚠️ FOR COMPLETE SYSTEM ARCHITECTURE, REFER TO MODULE 280, NETWORK TOPOLOGY SCHEMATIC, SUBSET B OR WIRE DIAGRAMS IN MODULES 160 & 860
- ⚠️ REFER TO MODULE 32A (SAM_CAB) AND MODULE 32K (SAM_CHAS) FOR FUSE & RELAY LOCATION AND CIRCUIT PROTECTION INFORMATION

RELEASE NUMBER	REL	ZONE	REVISION DESCRIPTION	BY	DATE	APPD
P24701-62	C	ALL	INITIAL PRODUCTION RELEASE	MND	10/15/06	GAP
P24701-67	D	20	WAS A06-11864RPMHIS 820.IS 06-61966-004	MND	02/13/07	GAP
	D	20	UPDATE CKT COLORS TO MATCH W/ RCPT			
	D	78	RING TERM: WAS 23-11194-588, IS -506			
	D	-	SEE SHEET 2			
P35465-08	E	-	ADDED HARN PROP A06-11791-000	S3B	07/17/08	NIG
	D	-	SEE SHEET 2			
B85439-01	F	-	SEE SHEET 2	OPH	01/07/11	LVP
BJ5087-07	G	-	SEE SHEET 2	S3B	03/08/11	LVP
FL6836-01	H	-	ADDED SHEET 3, G06-56019-002	JF	03/08/13	REV
P47209-04	J	-	SEE SHEET 3	HFE	06/25/13	REV



ITEM NUMBER: G06-56019-002	DESCRIPTION: MRG-TRLR,BOC,J560 PRIM RCPT,P3	ITEM NUMBER: G06-56019-001	DESCRIPTION: MRG-TRLR,BOC,J560 PRIM RCPT,P3	ITEM NUMBER: G06-56019-000	DESCRIPTION: MRG-TRLR,BOC,J560 PRIM RCPT,PLC,P3
DAIMLER Daimler Trucks North America					
THE INFORMATION CONTAINED HEREIN IS PROPRIETARY DATA, AND IS NOT FOR DISSEMINATION OR DISCLOSURE, IN WHOLE OR IN PART, FOR ANY PURPOSE OTHER THAN THAT FOR WHICH IT IS SUBMITTED, EXCEPT AS AUTHORIZED IN WRITING BY FREIGHTLINER CORPORATION.					
MATERIAL APPROVAL:	DATE:	UNLESS OTHERWISE NOTED, DIMENSIONS AND TOLERANCES ARE DEFINED ACCORDING TO ASME STANDARD Y14.5M-1994, WITH EXCEPTIONS PER FREIGHTLINER EDSN 0508-K17.			
DRAWN BY: BROWN	DATE: 10/15/06	THIRD PARTY PROJECTION			
CHECKED BY: S. PERRON	DATE: 10/15/06	RESPONSIBLE MFG. ENGR: N/A			
RESPONSIBLE ENGINEER: S. PERRON/M.DDAN	DATE: 10/15/06	UNITS OF MEASURE: MM			
APPROVED BY: G. FITZMAN	DATE: 10/15/06	REVISION LETTER: N/A			
DESCRIPTION: MRG-TRLR,BOC,J560 PRIM RCPT,PLC,P3					
SUPPLEMENTARY DESCRIPTION: P3					
ITER/DRAWING NUMBER: G06-56019					
REVISION LETTER: J					
SHEET NUMBER: 1 OF 3					

FILE PATH = \$FTL/Flt.cab/Product/PS/Air/ing/Diagrams/TRLR/BOC/J560-PRIMARY_RECEPTACLE sheet 1 schematic

LAST FILE = Tue Jun 25 14:55:00 2013

PLOT DATE = Wed, June 26, 2013, 12:25:06 PM.

D-312E