

#01-08-45-005E: Hard/No Start, Fuel Gauge Inop/Fluctuates, SES/Check Engine Light On, ABS Warning Light On, TCS Warning Light On, TCS Activation, Service Traction System Message, All-Wheel Drive Disable Message, DTCs - (Aug 29, 2006)

Subject: Hard/No Start, Fuel Gauge Inoperative/Fluctuates, SES/Check Engine Light On, ABS Warning Light On, TCS Warning Light On, TCS Activation, Service Traction System Message Displayed, All-Wheel Drive Disable Message Displayed, DTCs Set (Repair Connector)

Models: **2002-2006 Buick Rendezvous**
 2005-2007 Buick Terraza
 2000-2005 Chevrolet Venture
 2005-2007 Chevrolet Uplander
 2000-2004 Oldsmobile Silhouette
 2000-2005 Pontiac Montana
 2001-2005 Pontiac Aztek
 2005-2007 Pontiac Montana SV6
 2005-2007 Saturn Relay

This bulletin is being revised to add 2007 model year. Also, additional information was added to the Important statement. Please discard Corporate Bulletin Number 01-08-45-005D (Section 8 - Body and Accessories).

Condition

Some customers may comment on one or more of the following conditions:

- Engine is hard to start
- Engine will not start
- Engine starts then stalls
- Fuel gauge is inoperative or fluctuates
- Service Engine Soon/Check Engine light is illuminated
- ABS Warning Light is illuminated
- TCS Warning Light is illuminated
- TCS activation
- Service Traction System message displayed
- All-Wheel Drive Disable message displayed

These conditions may be intermittent. Upon investigation, the technician may find various DTCs set.

Cause

This condition may be due to water leaking into the interior of the vehicle, and/or spread terminals, at connector C305 that is located on the floor to the rear of the driver's seat. This connector is not sealed from the inside of the vehicle and water may enter the connector causing the terminals to become corroded. Also, the female terminals of the connector may have become spread apart causing an intermittent poor connection.

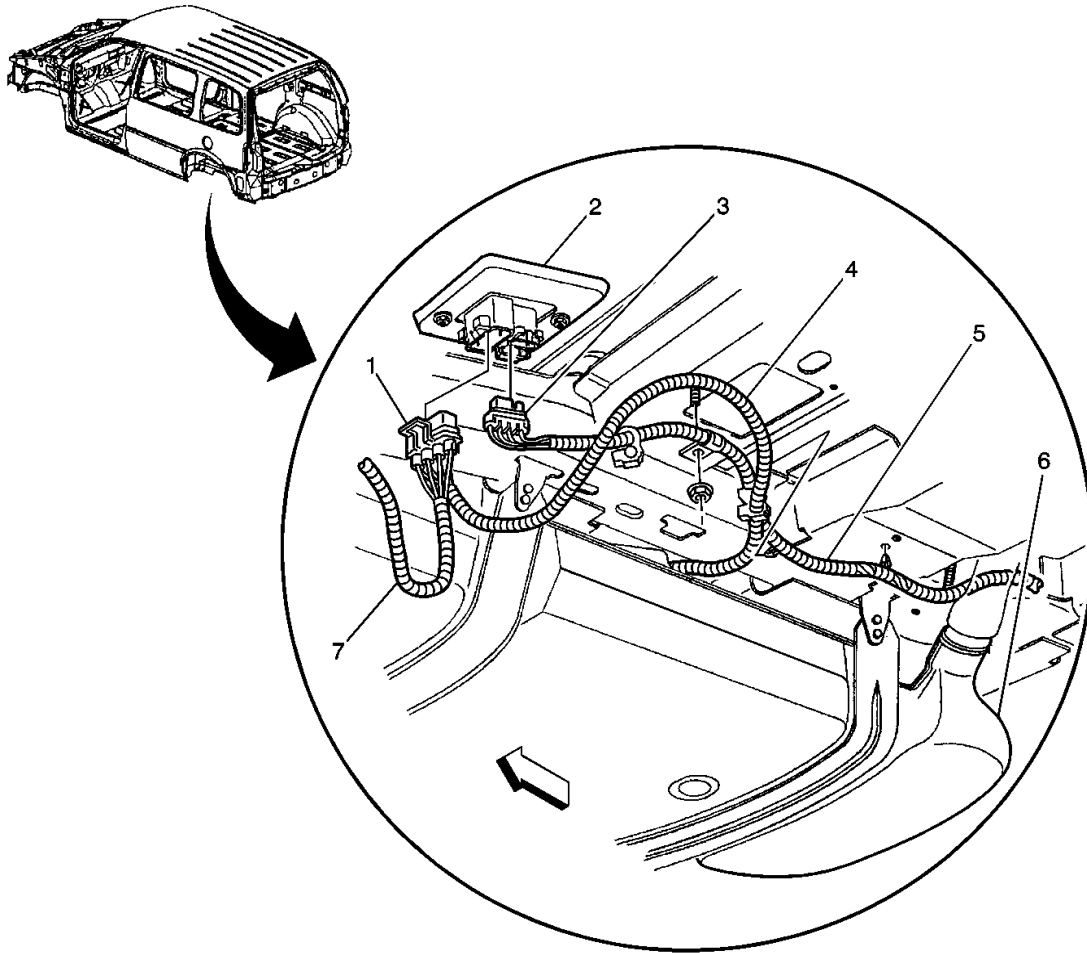
Correction

Important:

- Inspect the terminals at connector C305 for corrosion or spreading before replacing the fuel module or resistor card kit. Terminals can be accessed from underneath the vehicle.
- Do not attempt to repair any spread female terminals as this will result in a return repair. The female terminal must be replaced.
- If the terminals show signs of corrosion, determine the source of the water leak first and repair the water leak before repairing the terminals in connector C305. Refer to Corporate Service Bulletin Number 01-01-38-009A to determine a potential source for water in the vehicle interior.

Repair any corroded and/or spread female terminals in connector C305. Refer to Repairing Connector Terminals in the Wiring Systems sub-section of the appropriate service information.

Underneath Vehicle, Behind Driver Seat



- (1) In-line Connector C305-Fuel Sender Harness
- (2) In-line Connector C305-Body Harness
- (3) In-line Connector C305-Electronic Brake Control Module (ECBM) Harness
- (4) Fuel Sender Harness
- (5) Electronic Brake Control Module (ECBM) Harness
- (6) Fuel Tank
- (7) Evaporator Emission (EVAP) Canister Vent Solenoid Valve